

Алматы (727)345-47-04
Ангарск (3955)60-70-56
Архангельск (8182)63-90-72
Астрахань (8512)99-46-04
Барнаул (3852)73-04-60
Белгород (4722)40-23-64
Благовещенск (4162)22-76-07
Брянск (4832)59-03-52
Владивосток (423)249-28-31
Владикавказ (8672)28-90-48
Владимир (4922)49-43-18
Волгоград (844)278-03-48
Вологда (8172)26-41-59
Воронеж (473)204-51-73
Екатеринбург (343)384-55-89

Иваново (4932)77-34-06
Ижевск (3412)26-03-58
Иркутск (395)279-98-46
Казань (843)206-01-48
Калининград (4012)72-03-81
Калуга (4842)92-23-67
Кемерово (3842)65-04-62
Киров (8332)68-02-04
Коломна (4966)23-41-49
Кострома (4942)77-07-48
Краснодар (861)203-40-90
Красноярск (391)204-63-61
Курск (4712)77-13-04
Курган (3522)50-90-47
Липецк (4742)52-20-81

Магнитогорск (3519)55-03-13
Москва (495)268-04-70
Мурманск (8152)59-64-93
Набережные Челны (8552)20-53-41
Нижний Новгород (831)429-08-12
Новокузнецк (3843)20-46-81
Новый Уренгой (3496)41-32-12
Новосибирск (383)227-86-73
Омск (3812)21-46-40
Орел (4862)44-53-42
Оренбург (3532)37-68-04
Орск (8412)22-31-16
Петрозаводск (8142)55-98-37
Псков (8112)59-10-37
Пермь (342)205-81-47

Ростов-на-Дону (863)308-18-15
Рязань (4912)46-61-64
Самара (846)206-03-16
Санкт-Петербург (812)309-46-40
Саранск (8342)22-96-24
Саратов (845)249-38-78
Севастополь (8692)22-31-93
Симферополь (3652)67-13-56
Смоленск (4812)29-41-54
Сочи (862)225-72-31
Ставрополь (8652)20-65-13
Сургут (3462)77-98-35
Сыктывкар (8212)25-95-17
Тамбов (4752)50-40-97
Тверь (4822)63-31-35

Тольятти (8482)63-91-07
Томск (3822)98-41-53
Тула (4872)33-79-87
Тюмень (3452)66-21-18
Улан-Удэ (3012)59-97-51
Ульяновск (8422)24-23-59
Уфа (347)229-48-12
Хабаровск (4212)92-98-04
Чебоксары (8352)28-53-07
Челябинск (351)202-03-61
Череповец (8202)49-02-64
Чита (3022)38-34-83
Якутск (4112)23-90-97
Ярославль (4852)69-52-93

Россия +7(495)268-04-70

Казахстан +7(727)345-47-04

Беларусь +3(75)257-127-884

Узбекистан +998(71)205-18-59

Киргизия +996(312)96-26-47

<https://mpfiltri.nt-rt.ru> || mqt@nt-rt.ru

TANK ACCESSORIES



PASSION  PERFORM

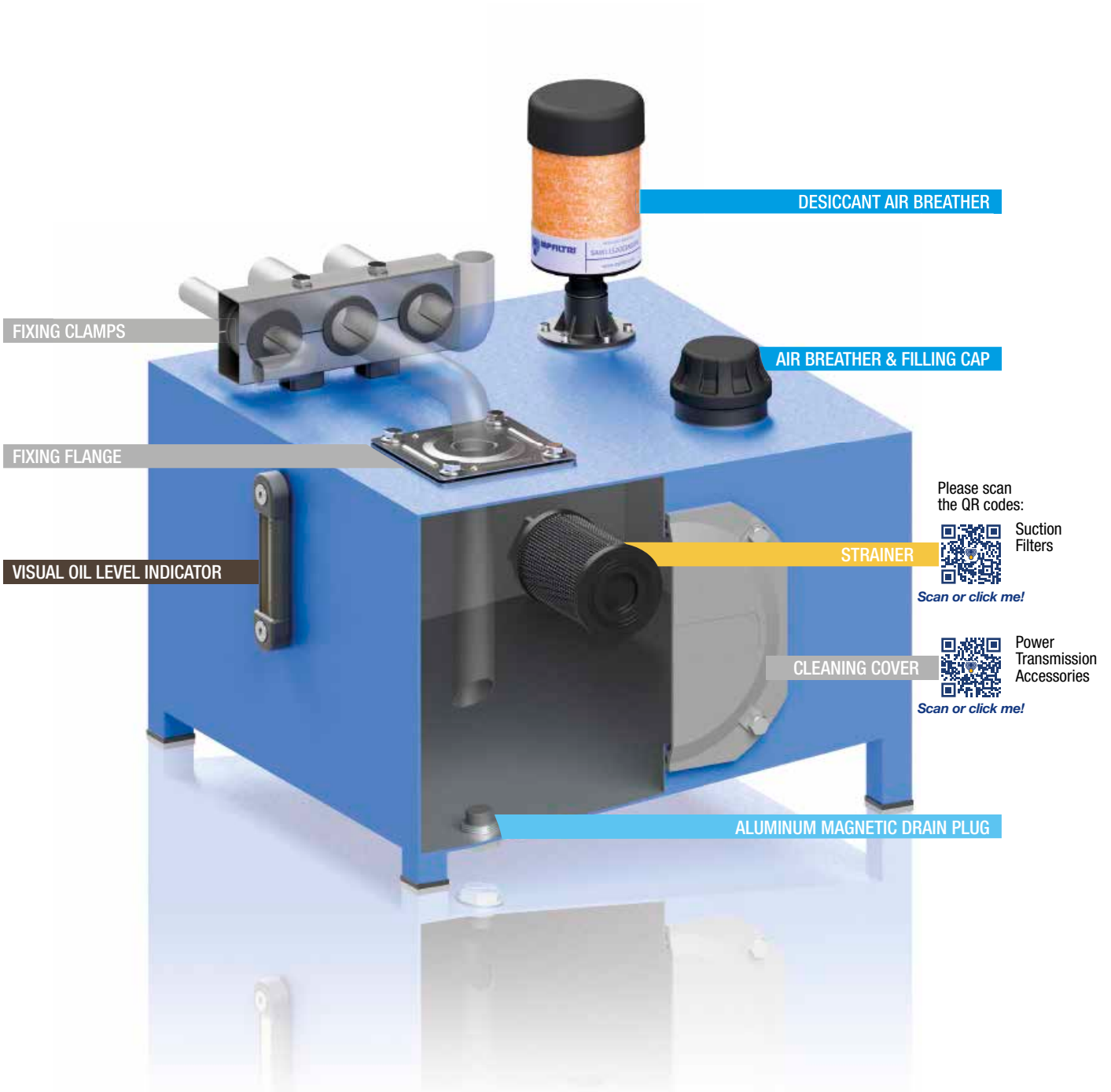




A WORLDWIDE LEADER IN THE FIELD
OF HYDRAULIC FILTRATION EQUIPMENT.

Our company started life in 1964, when Bruno Pasotto decided to attempt to cater for the requests of a market still to be fully explored, with the study, design, development, production and marketing of a vast range of filters for hydraulic equipment, capable of satisfying the needs of manufacturers in all sectors. The quality of our products, our extreme competitiveness compared with major international producers and our constant activities of research, design and development has made us a worldwide leader in the field of hydraulic circuit filtering. Present for over 50 years in the market, we have played a truly decisive role in defining our sector, and by now we are a group capable of controlling our entire chain of production, monitoring all manufacturing processes to guarantee superior quality standards and to provide concrete solutions for the rapidly evolving needs of customers and the market.

TANK ACCESSORIES



1	page	INTRODUCTION
2		INDEX
4		COMPANY PROFILE
8		PRODUCT RANGE

10	page	AIR BREATHERS AND FILLER PLUGS
13	SAP 054-075 - SA	Air breathers
19	SAW 115	Moisture control desiccant air breathers
23	SCS	Metal air breathers with interchangeable filter element
29	SME 1 - SMF 1 - SML 1	Risers for breathers and filler caps installation
35	TA 46 - TAP 50 - SAP 50	Filler plug and air filter up to 200 l/min
43	TA 80	Steel filler plug and air filter up to 500 l/min
47	TAP 90	Filler plug and polyamide air filter up to 550 l/min
53	TAP 114	Filler plug and polyamide air filter up to 1600 l/min
57	TAP 115 & SAP 115	Filler plug and polyamide air filter up to 3000 l/min

62	page	FILLER AND DRAIN PLUGS
65	TC 50	Polyamide filler plug
69	TKT - TSD - TKM	Filler and draining plugs

76	page	VISUAL OIL LEVEL INDICATORS
79	LCP - LCC	Visual oil level indicator - round shape
85	LVA - LVU	Visual oil level indicator - vertical shape

90	page	ELECTRICAL OIL LEVEL INDICATORS
93	LEN - LEG - LET - LEM - LEU	Electric oil level indicator
95	LVK	Visual and Electric oil level indicator

110	page	ACCESSORIES
113	EM1	Pressure gauge isolator
119	SVM	Gauge selector valve
123	FTA - FTR	Oil tank fixing flange
127	MULTIFIT SFT	Fixing clamps

Our work is based on a skillful interaction between advanced technology and fine workmanship, **customizing products according to specific market requests**, focusing strongly on innovation and quality, and following every step in the manufacturing of both standard and special products, fully respecting customer expectations.

MARKET
LEADER



Our customer-oriented philosophy, which enables us to satisfy all customer requests **rapidly** and **with personalized products**, makes us a **dynamic and flexible enterprise**.

The possibility of constantly controlling and monitoring the entire production process is essential to allow us to guarantee the quality of our products.

WORLDWIDE PRESENCE

Our foreign Branches enable us to offer a diversified range of products that allow us to successfully face the aggressive challenge of international competition, and also to maintain a stable presence at a local level.

The Group boasts **9** business branches



TECHNOLOGY

Our constant **quest for excellence in quality and technological innovation** allows us to offer only the best solutions and services for applications in many fields, including general industry, test rigs, lubrication, heavy engineering, renewable energies, naval engineering, offshore engineering, aviation systems, emerging technologies and mobile plant (i.e. tractors, excavators, concrete pumps, platforms).



AND PRODUCTION

Our high level of technological expertise means **we can rely entirely on our own resources, without resorting to external providers.** This in turn enables us to satisfy a growing number of customer requests, also exploiting our constantly updated range of machines and equipment, featuring **fully-automated workstations** capable of **24-hour production.**





SUCTION FILTERS

- Mounting:
- Tank immersed
 - In-Line
 - In tank with shut off valve
 - In tank with flooded suction



RETURN FILTERS

- Mounting:
- In-Line
 - Tank top
 - In single and duplex designs



RETURN / SUCTION FILTERS

- Mounting:
- In-Line
 - Tank top



SPIN-ON FILTERS

- Mounting:
- In-Line
 - Tank top



LOW & MEDIUM PRESSURE FILTERS

- Mounting:
- In-Line
 - Parallel manifold version
 - In single and duplex designs



HIGH PRESSURE FILTERS

- Mounting:
- In-Line
 - Manifold
 - In single and duplex designs

PRODUCT RANGE

MP Filtri can offer a vast and articulated range of products for the global market, suitable for all industrial sectors using hydraulic equipment.

This includes filters (suction, return, return/suction, spin-on, pressure, stainless steel pressure, ATEX filters) and structural components (motor/pump bell-housings, transmission couplings, damping rings, foot brackets, aluminium tanks, cleaning covers).

We can provide all the skills and solutions required by the modern hydraulics industry to monitor contamination levels and other fluid conditions.

Mobile filtration units and a full range of accessories allow us to supply everything necessary for a complete service in the hydraulic circuits.



STAINLESS STEEL HIGH PRESSURE FILTERS

- Mounting:
- In-Line
 - Manifold
 - In single and duplex designs

FILTERS FOR POTENTIALLY EXPLOSIVE ATMOSPHERE

- Mounting:
- In-Line

CONTAMINATION CONTROL SOLUTIONS

- Off-line, in-line particle analyser
- Off-line bottle sampling products
- Fully calibrated using relevant ISO standards
- A wide range of variants to support fluid types and communication protocols
- Mobile Filtration Units with flow rates from 15 l/min up to 200 l/min

POWER TRANSMISSION PRODUCTS

- Aluminium bell-housings for motors from 0.12 kW to 400 kW
- Couplings in Aluminium Cast Iron - Steel
- Damping rings
- Foot bracket
- Aluminium tanks
- Cleaning covers

TANK ACCESSORIES

- Oil filler and air breather plugs
- Optical and electrical level gauges
- Pressure gauge valve selectors
- Pipe fixing brackets
- Pressure gauges

The complete series of air breathers and filler plugs makes it possible to meet all market demands.

Metal and plastic versions suitable for use on mobile and industrial equipment are available.

Filler plugs perform a dual function, air filtration at the tank inlet and prefiltration of the fluid by means of the basket, in order to prevent the ingress of foreign material into the tank during filling and top-up operations.

Correct operation of breather filters makes for longer life of the filter cartridges installed in the hydraulic circuit, and in applications where high level of contamination are present.

Desiccant breathers are also available to absorb free water and moisture contained in the air entering into the tank.

Air Breathers & Filler Plugs



SAP 054-075 - SA	page 13
SAW 115	19
SCS	23
SME 1 - SMF 1 - SML 1	29
TA 46 - TAP 50 - SAP 50	35
TA 80	43
TAP 90	47
TAP 114	53
TAP 115 - SAP 115	57

SAP 054-075 series

Polyamide air breather filter

SA series

Metal air breather filter



Technical data

Air breathers & Filler plugs

Polyamide air breather filter Flow rate up to 400 l/min

SAP is a range of plastic air breathers for protection of the tank against the solid contamination contained into the air. They are directly fitted on the tank.

Available features:

- Male threaded connections up to 3/4", for a maximum flow rate of 400 l/min
- Replaceable filter element
- Fine cellulose filtration, to get a good cleanliness level into the reservoir
- Polyester media is an option for heavy environmental conditions (high humidity, sand ...)

Common applications:

- Mobile machines (construction and agriculture machines)
- Industrial equipment

Flow rate Δp 0.02 bar

	Flow rate [l/min]	
	Filtration rating	L03
SAP054	200	250
SAP075	350	400

Materials

- Cover: Polyamide
- Connection: Polyamide
- Filter element: Resin impregnated paper

Temperature

From -25 °C to +100 °C

Weight

SAP 054 - 0.06 kg
SAP 075 - 0.15 kg



Designation & Ordering code

COMPLETE AIR FILTER

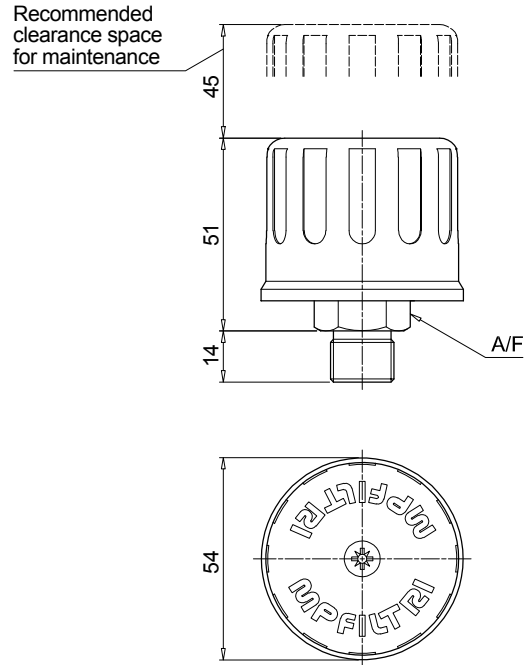
Series and size	Configuration example: SAP054 G2 L10 A P01				
SAP054					
SAP075					
Connections	SAP054	SAP075			
G1	G 3/8"	G 1/2"			
G2	G 1/2"	G 3/4"			
Filtration rating					
L03	Resin impregnated paper	3 µm			
L10	Resin impregnated paper	10 µm			
Seals					
A	NBR				
			Execution		
			P01	MP Filtri standard	
			Pxx	Customized	

FILTER ELEMENT

Filter element series and size	Configuration example: A4 L10 P01			
A4	SAP054			
A7	SAP075			
Filtration rating				
L03	Resin impregnated paper	3 µm		
L10	Resin impregnated paper	10 µm		
			Execution	
			P01	MP Filtri standard
			Pxx	Customized

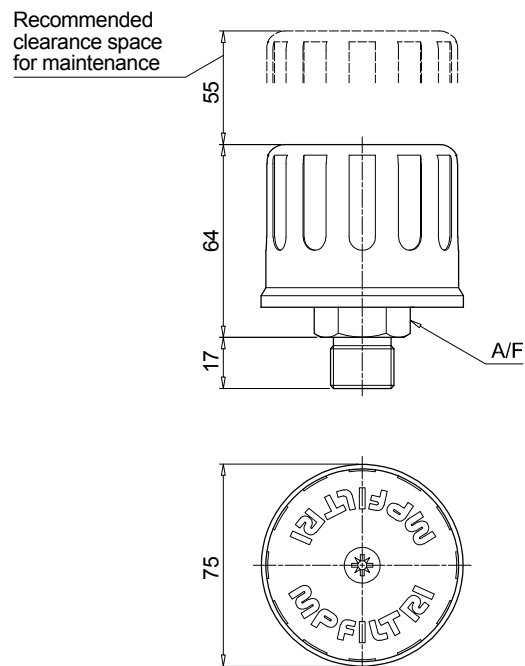
SAP054

Connections	A/F [mm]
G1	22
G2	27



SAP075

Connections	A/F [mm]
G1	27
G2	32



Technical data

Air breathers & Filler plugs

Metal air breather filter Flow rate up to 2500 l/min

SA is a range of metal air breathers for protection of the tank against the solid contamination contained into the air.

They are directly fitted on the tank. The robust design allows the use of these filters in any heavy-duty application.

Available features:

- Male threaded connections up to 2 1/2", for a maximum flow rate of 2500 l/min
- Replaceable filter element
- Fine cellulose filtration, to get a good cleanliness level into the reservoir
- Polyester media is an option for heavy environmental conditions (high humidity, sand ...)

Common applications:

- Mobile machines (construction and agriculture machines)
- Industrial equipment

Flow rate Δp 0.02 bar

	Flow rate [l/min]	
	Filtration rating	L03
SA036	140	140
SA053	250	250
SA075	350	400
SA115	800	850
SA145	1800	1850
SA185	2300	2500

Materials

- Cover: Steel
- Connection: Anodized steel, Galvanized steel
- Filter element: Resin impregnated paper
- Screws: Galvanized steel
- Washer: Teflon
- Ring: Galvanized steel
- Seals: NBR

Temperature

From -25 °C to +100 °C

Weight

SA 036	0.08 kg
SA 053	0.15 kg
SA 075	0.26 kg
SA 115	0.40 kg
SA 145	0.59 kg
SA 185	1.22 kg



Designation & Ordering code

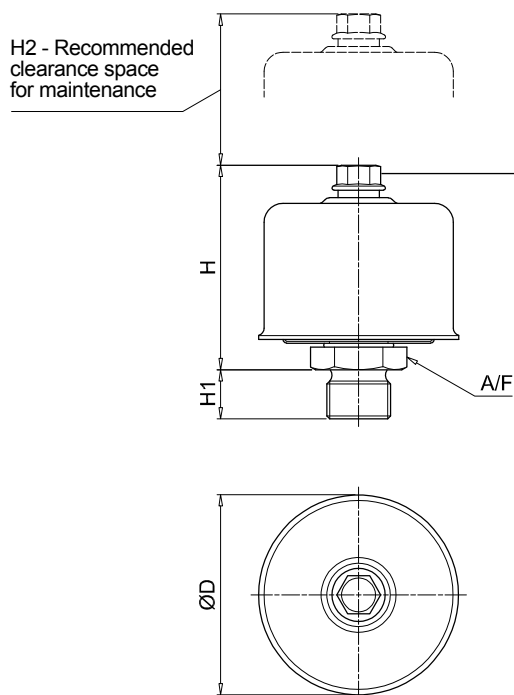
COMPLETE AIR BREATHER

Series and size							Configuration example: SA115 G1 L10 A P01				
SA036	SA053	SA075	SA115	SA145	SA185						
Connections											
	SA036	SA053	SA075	SA115	SA145	SA185					
G1	G 1/4"	G 1/4"	G 1/2"	G 1"	G 1 1/2"	G 2 1/2"					
G2	G 3/8"	G 3/8"	G 3/4"	-	-	-					
G3	G 1/2"	-	-	-	-	-					
G4	1/4" NPT	1/4" NPT	1/2" NPT	1" NPT	1 1/2" NPT	2 1/2" NPT					
G5	3/8" NPT	3/8" NPT	3/4" NPT	-	-	-					
G6	1/2" NPT	-	-	-	-	-					
Filtration rating											
L03	Resin impregnated paper		3 µm								
L10	Resin impregnated paper		10 µm								
S	Without filter element										
							Seals		Execution		
							A NBR		P01 MP Filtri standard		
									Pxx Customized		

FILTER ELEMENT

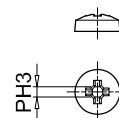
Filter element series and size							Configuration example: A8 L10 P01				
A05	A5	A7	A8	A10	A11						
Filtration rating											
L03	Resin impregnated paper		3 µm								
L10	Resin impregnated paper		10 µm								
									Execution		
									P01 MP Filtri standard		
									Pxx Customized		

SA



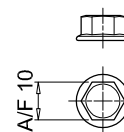
Type of bolt/nut

Phillips:
SA036



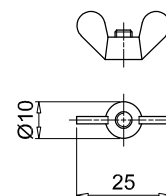
Hexagonal:

SA053
SA075
SA115
SA145



Wings:

SA185



Type	Connections	ØD [mm]	H [mm]	H1 [mm]	H2 [mm]	A/F [mm]
036	G1 ÷ G6	36	37	13	30	22
053	G1-G2-G4-G5	53	53	13	50	22
075	G1	75	69	13	60	27
	G2			17		32
	G4			15		27
	G5			20		32
115	G1 - G4	115	80	17	70	38
145	G1 - G4	145	115	25	100	55
185	G1 - G4	185	164	25	150	90

SAW 115 series

Moisture control desiccant air breathers



SAW 115 GENERAL INFORMATION

Technical data

Air breathers & Filler plugs

Moisture control desiccant air breathers

Max air flow up to 453 l/min

SAW is a range of desiccant breathers; they are products that combine the filtration of the solid contamination and the absorption of the free water contained into the air.

They are directly fitted on the tank; the filter layers remove the solid contamination while the desiccant agent holds the moisture contained in the air that enters into the tank as result of the tank breathing.

While in service or during shut-down, the desiccant agent dries the equipment, absorbing moisture from the reservoir.

Available features:

- Male threaded connections up to 1", for a maximum flow rate of 453 l/min
- Fine filtration rating, to get a good cleanliness level into the reservoir
- Check valves, to extend the dryer agent lifetime.

Common applications:

Hydraulic systems, oil storage, tanks, transformers, renewable energy, Gearboxes.

Chemical Compatibility

Recommended:	Not Recommended:
- All Gear Oil	- Phosphate Ester
- Most Hydraulic Fluid	- Hydrogen Sulphide
- Mineral and Synthetic Oil	- Sulphuric Acid
	- High Alkaline Cleaner

Flow rate Δp 0.02 bar

	Flow rate [l/min]
Filtration rating	03
SAW115	453

Materials

Connection: Polyamide
Internal Support Pipe: Polyamide
Screen: Polycarbonate
Cover: Polyamide
Dryer Agent: Silica Gel

Filter Efficiency 3 μm absolute ($B_3 \geq 200$)

Seals NBR

Temperature From -25 °C to +90 °C

Humidity Level Below Ambient Conditions

SAW115G03A00P01: protects 30.000 + cycles

Deliquescent: Protects 5.000 cycles
(Testing parameters 23°C, 30 l/min)

Silica Gel Weight

Length 1 0.32 kg
Length 2 0.56 kg
Length 3 0.84 kg

Total Weight

Length 1 0.60 kg
Length 2 0.90 kg
Length 3 1.20 kg



Designation & Ordering code

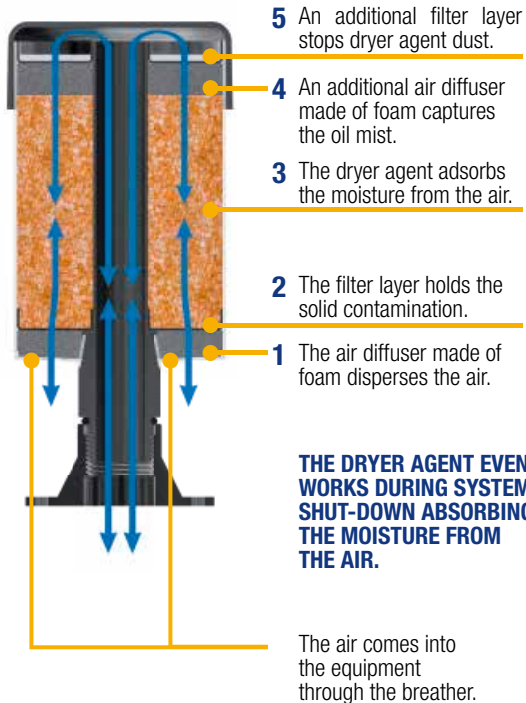
COMPLETE AIR FILTER

Serie	Configuration example:	SAW115	1	G	03	A	0	0	P01
SAW115									
Length			1 2 3						
Connections				G					
				1" Multi-fit (NPT, BSPT, NPSM)					
Filtration rating					03				
					Inorganic microfiber 3 μm				
Seals						A			
						NBR			
Valve							0		
							Without valve		
							1		
							With check valves		
Option								0	
								Standard	
Execution									P01
									MP Filtri standard
									Pxx
									Customized

ACCESSORIES

Serie	Configuration example:	SMG1	S	A	P02
SMG1 Flanged adapter					
Connections					
					S
					Without screws
Seals					
					A
					NBR
Execution					
					P02
					MP Filtri standard

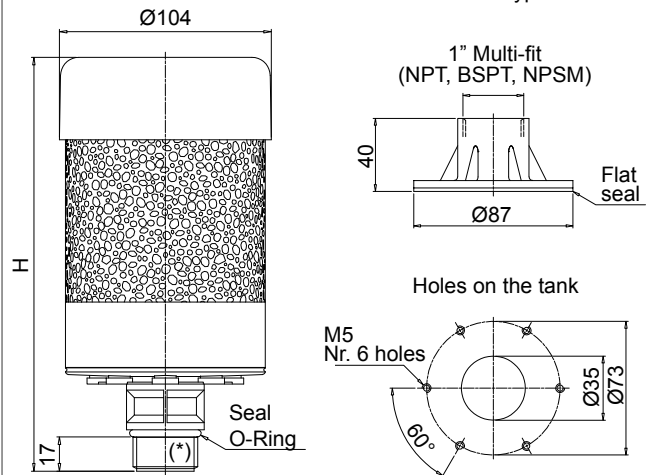
How does SAW Series works



SAW115

Length	H [mm]
1	154
2	205
3	256

Optional 6-hole tank flange SMG1 type



(*) 1" Multi-fit (NPT, BSPT, NPSM)

Silica gel

Active breather



Depleted breather



Silica gel is the most efficient and economic moisture adsorbent for general applications.

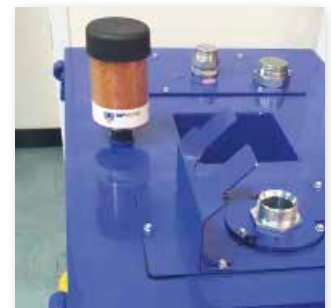
A white breather means the unit has done its job keeping moisture out of your lubricants.

Whenever the colour changes from orange to white it's time to replace the breather with a new one.

All breathers should be changed at least once a year.

IMPORTANT

Dispose of the exhausted silica gel according to the regulations in force in the country of use.



Air vent holes

Max hydraulic flow rate [l/min (cfm)]	Holes to open
up to 110 (4)	2
from 111 to 220 (4-8)	4
from 221 to 330 (8-12)	6
from 331 to 452 (12-16)	8

IMPORTANT INSTALLATION INFORMATION

- The air vent holes are plugged for any new breather
- The plugs protect the dryer agent during storage and shipment
- The plugs must be taken out during the installation, according to the max hydraulic flow rate



SCS series

Metal air breathers with interchangeable filter element



Technical data

Air breathers & Filter plugs

Metal air breathers with interchangeable filter element Flow rate up to 1330 l/min

SCS is a range of air breathers for protection of the tank against the solid contamination contained into the air.

They are composed of a spin-on filter can screwed on a connection tube, directly fitted on the tank. They are directly fitted on the tank.

Available features:

- Weld or flanged connection, for a maximum flow rate of 1415 l/min
- Fine cellulose and microfibre filtration, to get a good cleanliness level into the reservoir

Common applications:

- Mobile machines (construction and agriculture machines)
- Industrial equipment

Flow rate Δp 0.02 bar

	Flow rate [l/min]			
	Filtration rating	P10	A03	A10
SCS050	550	515	530	
SCS070	550	515	530	
SCS100	1415	1300	1330	
SCS150	1415	1300	1330	

Materials

Riser: Galvanized steel

Temperature

From -25 °C to +100 °C

Weight

SCS050...G1	0.200 kg
SCS050...G2	0.265 kg
SCS100...G1	0.450 kg
SCS100...G2	0.645 kg

CS/CG050	0.73 kg
CS/CG070	0.95 kg
CS100	1.3 kg
CS150	1.6 kg
CG100	1.3 kg
CG150	1.6 kg



Designation & Ordering code

COMPLETE AIR FILTER

Series and size				Configuration example 1: SCS050 C G2 V P01						
SCS050	SCS070	SCS100	SCS150	Configuration example 2: SCS150 C G2 A10 V P01						
Connections										
C	Weld riser									
F	Screwed flange									
Threaded connection		SCS050 - 070		SCS100 - 150						
G1	ISO 228	G 3/4"	G 1 1/4"							
G2	U.S. standard	1" - 12 UNF	1 1/2" - 16 UN							
Filtration rating		Size:	050	070	100	150				
Without filter element			•	-	•	-				
A03	Inorganic microfiber	3 µm	•	•	•	•				
A10	Inorganic microfiber	10 µm	•	•	•	•				
P10	Resin impregnated paper	10 µm	•	•	•	•				
Seals		Execution								
A	NBR	P01	MP Filtri standard							
V	FPM	Pxx	Customized							

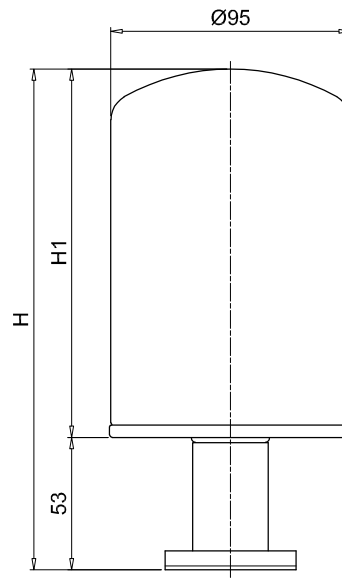
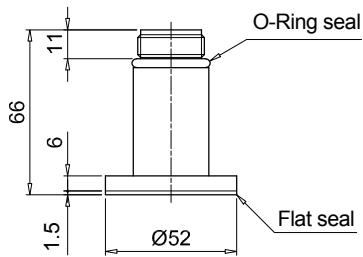
FILTER ELEMENT

Filter element series		Threaded connection:		Configuration example: CG 150 A10 V P01					
CS	Connection ISO 228	G1	•	G2	-				
CG	Connection U.S. standard	G1	-	G2	•				
Filter element size									
050	070	100	150						
Filtration rating									
A03	Inorganic microfiber	3 µm							
A10	Inorganic microfiber	10 µm							
P10	Resin impregnated paper	10 µm							
Seals		Execution							
A	NBR	P01	MP Filtri standard						
V	FPM	Pxx	Customized						

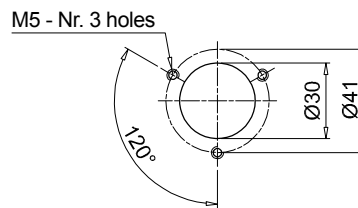
SCS050-070

Screwed flange

Size	H [mm]	H1 [mm]
050	199	146
070	263	210



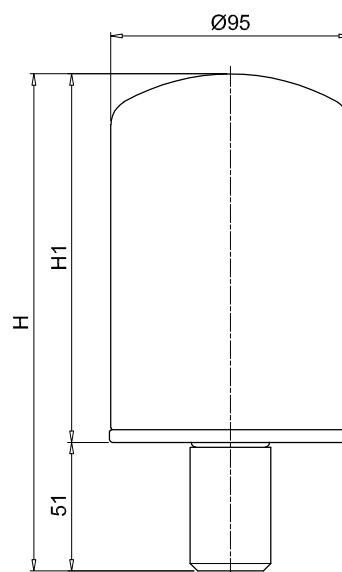
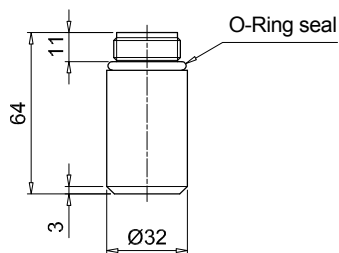
Holes on the tank



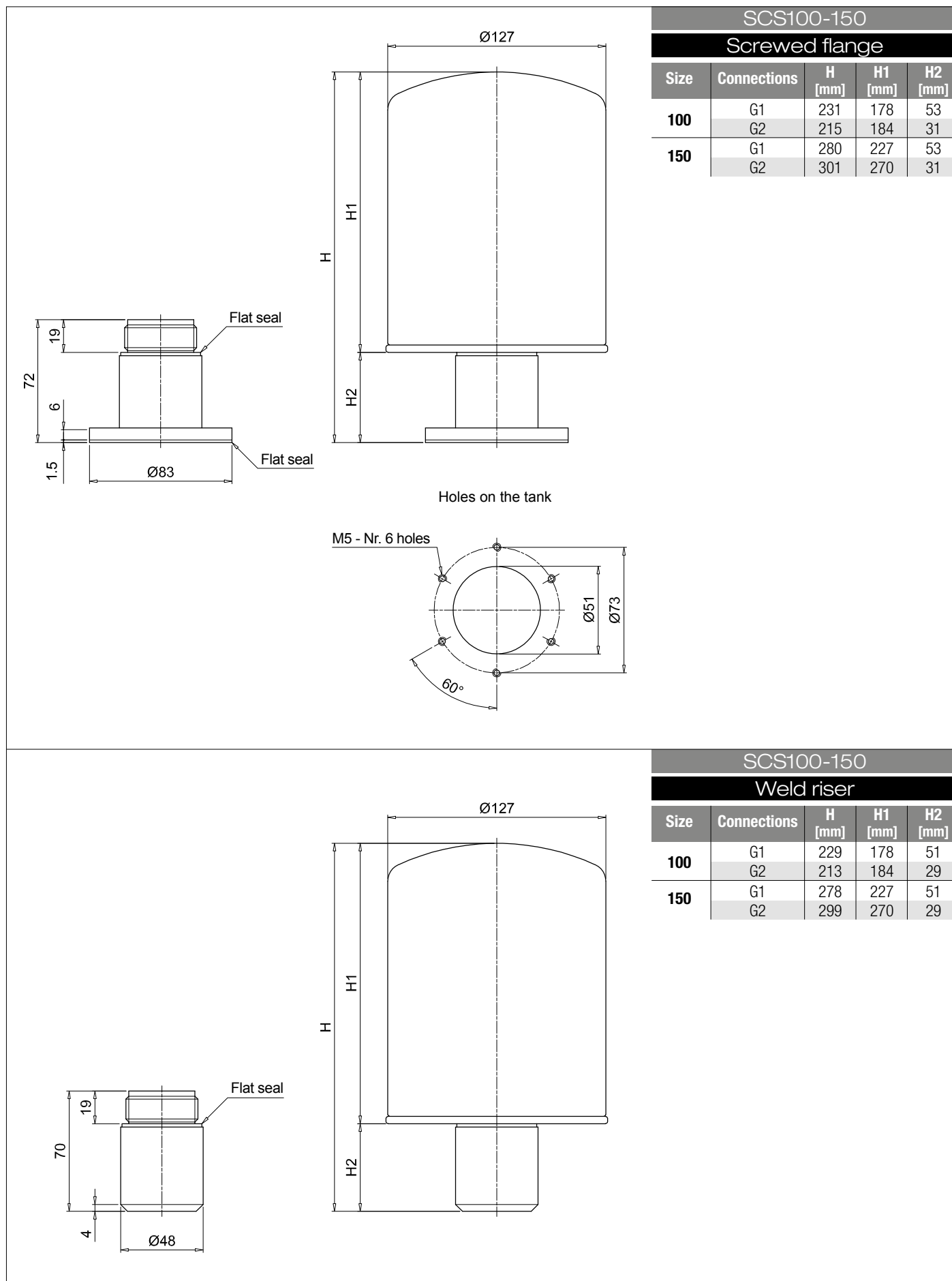
SCS050-070

Weld riser

Size	H [mm]	H1 [mm]
050	197	146
070	261	210



Dimensions



SME 1 - SMF 1 - SML 1 series

Risers for breathers and filler caps installation



Technical data

Air breathers & Filler plugs

Risers for breathers and filler caps installation

SME/SMF/SML are ranges of risers for installation of the breathers and filler caps in any place on the tank. They make the maintenance operation easy and fast.

Available features:

- SME: vertical riser made of polyamide for polyamide tanks, mainly used in the mobile machines
- SMF: sloping riser made of polyamide for polyamide tanks, mainly used in the mobile machines
- SML: sloping riser made of aluminum for metal tanks, mainly used in the industrial equipment and heavy-duty applications

Materials SME

- Body: Polyamide
- Seals: NBR
- Screws: Galvanized steel

Materials SMF

- Body: Polyamide
- Seals: NBR
- Screws: Galvanized steel

Materials SML

- Body: Aluminium
- Seals: NBR
- Screws: Galvanized steel

Temperature

From -25 °C to +100 °C

Weight

SME	0.250 kg
SMF	0.325 kg
SML	0.380 kg

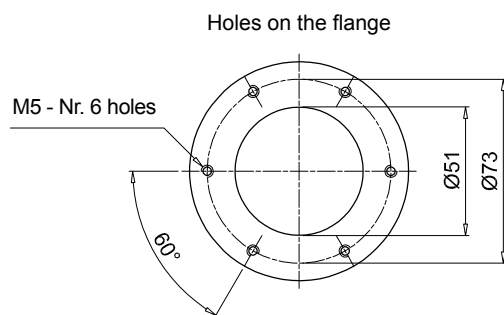
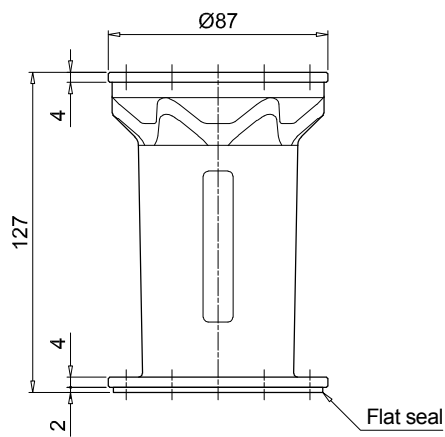
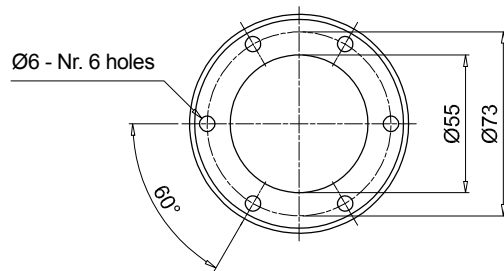


Designation & Ordering code

COMPLETE ADAPTER

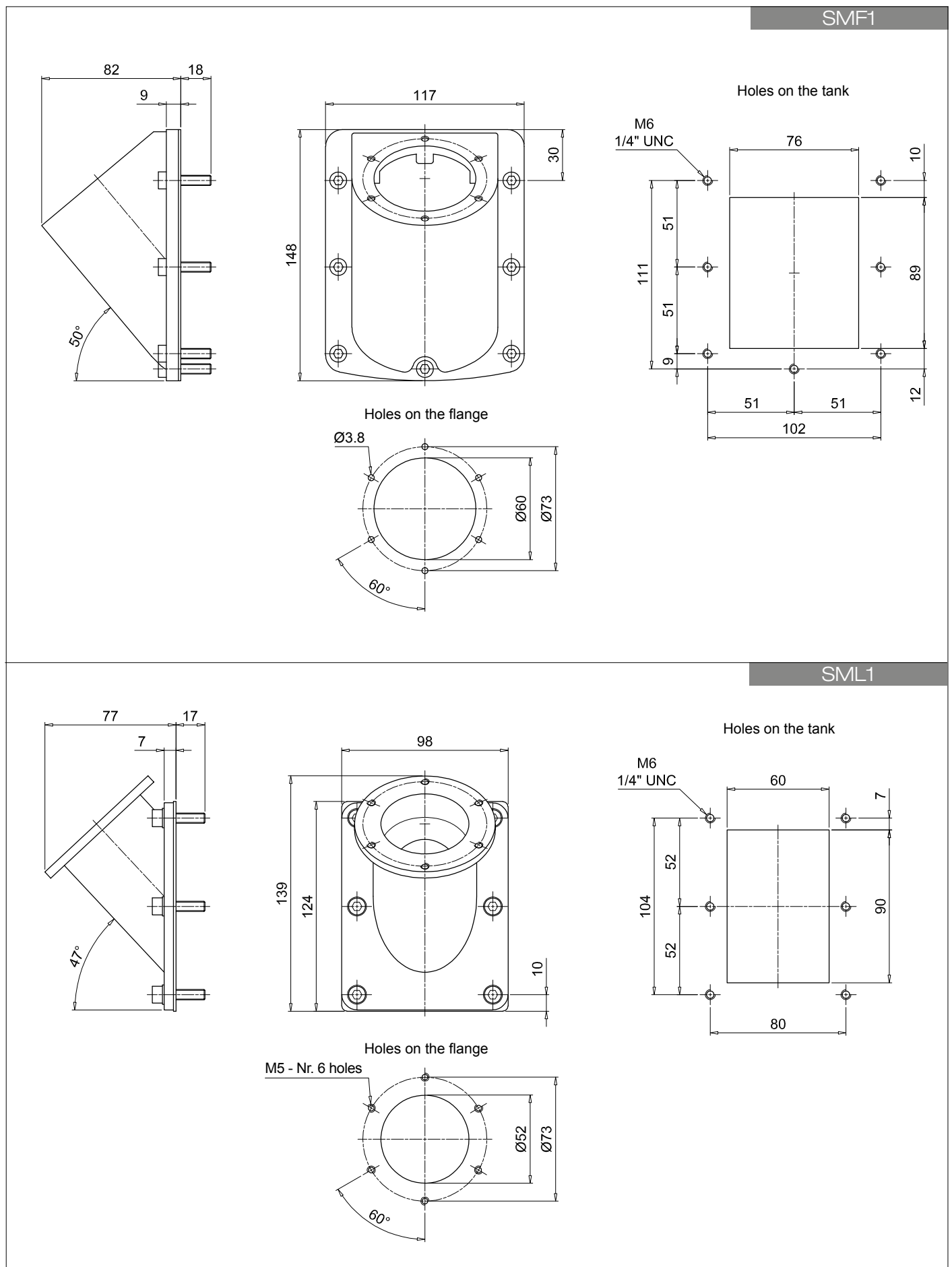
Series				Configuration example: SMF1 M A P01			
SME1	Polyamide vertical riser						
SMF1	Polyamide sloping riser						
SML1	Aluminium sloping riser						
Connections							
M	Metric screws						
U	UNC screws						
Seals							
A	NBR						
Execution		Series					
		SME1	SMF1	SML1			
P01	MP Filtri standard	-	•	•			
P02	Standard without logo	•	-	-			

SME1



SME 1-SMF 1-SML 1

Dimensions



TA 46 TAP 50 SAP 50 series

Steel filler plug
and air filter

Polyamide
filler plug

Polyamide
air filter



Technical data

Air breathers & Filler plugs

Steel filler plug and air filter Flow rates up to 200 l/min

TA46 is a range of compact metal air breathers and filler caps for protection of the tank against the solid contamination contained into the air and filling of the fluid into the systems during the commissioning and maintenance procedures. They are directly fitted on the tank. The robust design allows the use of these filters in any heavy-duty application.

Available features:

- Male threaded connections up to 1/4" and flanged connection with bayonet, for a maximum flow rate of 200 l/min
- Fine cellulose filtration, to get a good cleanliness level into the reservoir
- Filling basket, to hold the coarse contamination contained into the fluid and to diffuse the fluid flow into the tank

Common applications:

- Compact hydraulic systems
- Compact mobile machines
- Industrial equipment

Flow rate Δp 0.02 bar

TA46	Flow rate [l/min]	
	Filtration rating 03	10
	150	200

Materials (version G/N)

- Cover: Chrome plated steel
- Filter element: Resin impregnated paper, Polyurethane
- Flange: Galvanized steel
- Connection: Phosphatized steel

Materials (version B)

- Cover: Chrome plated steel
- Filter element: Resin impregnated paper, Polyurethane
- Flange: Galvanized steel
- Connection: Galvanized steel
- Seals: NBR
- Chain: Brass
- Screws: Galvanized steel
- Basket: Galvanized steel

Temperature

From -25 °C to +100 °C

Weight

TA 46 B 0.10 kg
TA 46 G/N 0.11 kg



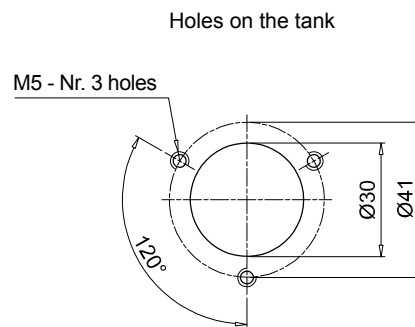
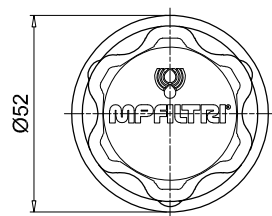
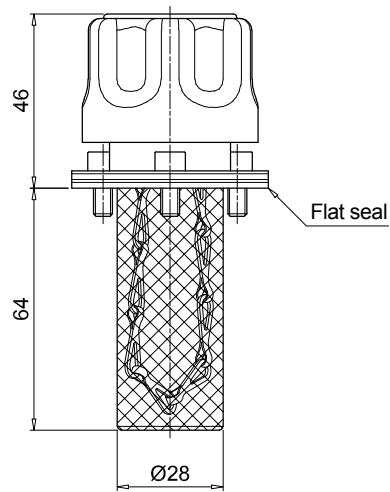
Designation & Ordering code

COMPLETE FILLER PLUG

Serie TA46	Configuration example 1:	TA46	B	03	A	0	0	1	P01
	Configuration example 2:	TA46	G	10					P01
Connections									
B	Screwed flange with bayonet mount								
G	G 1/4"								
N	1/4" NPT								
Filtration rating									
03	Resin impregnated paper	3 μ m							
10	Polyurethane	10 μ m							
Seals									
A	NBR	Connection:	B	G	N				
			•	-	-				
Valve									
0	Without valve	Connection:	B	G	N				
			•	-	-				
Version									
0	Standard	Connection:	B	G	N				
			•	-	-				
Basket									
1	With basket	Connection:	B	G	N				
			•	-	-				
Execution									
	P01	MP Filtri standard							
	Pxx	Customized							

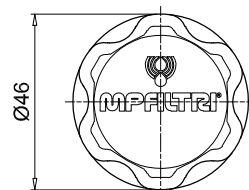
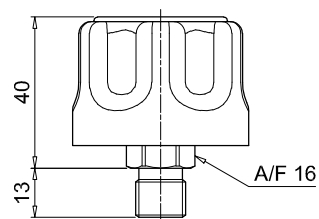
TA46

Screwed flange



TA46

Threaded connection



TAP 50 GENERAL INFORMATION

Technical data

Air breathers & Filler plugs

Filler plug and polyamide air filters Flow rates up to 200 l/min

TAP50 is a range of compact plastic air breathers and filler caps for protection of the tank against the solid contamination contained into the air and filling of the fluid into the systems during the commissioning and maintenance procedures.

Available features:

- Flanged connection with bayonet, for a maximum flow rate of 200 l/min
- Fine cellulose filtration, to get a good cleanliness level into the reservoir
- Filling basket, to hold the coarse contamination contained into the fluid and to diffuse the fluid flow into the tank
- Pressurization valve, to guarantee a positive pressure into the tank

Common applications:

- Compact hydraulic systems
- Compact mobile machines
- Industrial equipment

Flow rate Δp 0.02 bar

	Flow rate [l/min]	
	Filtration rating 03	10
TAP50	180	202

Materials

- Cover/ringnut: Polyamide
- Filter element: Resin impregnated paper, Polyurethane
- Pressurization valve: Polyamide, Galvanized steel, NBR
- Seals: NBR
- Flange: Polyamide
- Screws: Galvanized steel
- Basket: Polyamide

Temperature

From -25 °C to +100 °C

Weight

TAP 50 0.60 kg

Quantity

10 pcs/pack



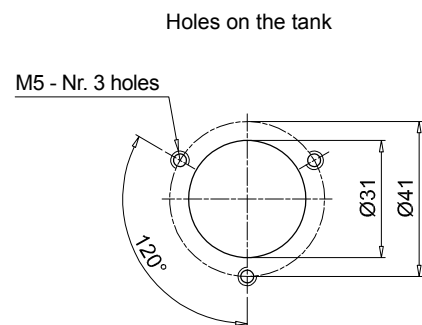
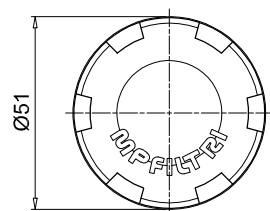
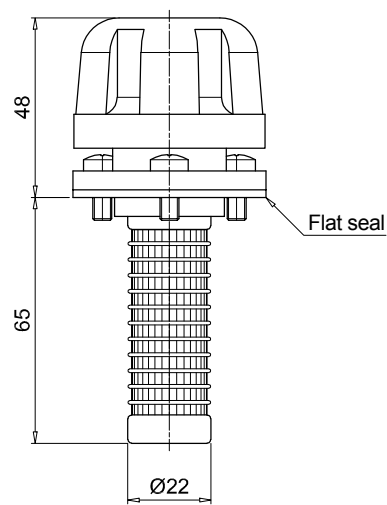
Designation & Ordering code

COMPLETE FILLER PLUG

Serie	Configuration example:	TAP50	C	03	A	1	1	P01
TAP50								
Connections								
C	Screwed flange with G 3/4" mount							
Filtration rating								
03	Resin impregnated paper 3 µm							
10	Polyurethane 10 µm							
Seals								
A	NBR							
Valve								
0	Without valve							
1	0.5 bar pressurization valve							
Basket								
1	With basket							
Execution								
P01	MP Filtri standard							
Pxx	Customized							

TAP50

Screwed flange



SAP 50 GENERAL INFORMATION

Technical data

Air breathers & Filler plugs

Air breathers

Flow rates up to 200 l/min

SAP50 is a range of compact plastic air breathers for protection of the tank against the solid contamination contained into the air. They are directly fitted on the tank.

Available features:

- Male threaded connections up to 3/4", for a maximum flow rate of 200 l/min
- Fine cellulose filtration, to get a good cleanliness level into the reservoir
- Pressurization valve, to guarantee a positive pressure into the tank

Common applications:

- Compact hydraulic systems
- Compact mobile machines
- Industrial equipment

Flow rate Δp 0.02 bar

	Flow rate [l/min]	
	Filtration rating	03
SAP50	180	204

Materials

- Cover/Connection: Polyamide
- Filter element: Resin impregnated paper, Polyurethane
- Pressurization valve: Polyamide, Galvanized steel, NBR
- Seals: NBR

Temperature

From -25 °C to +100 °C

Weight

SAP 50 0.40 kg

Quantity

10 pcs/pack

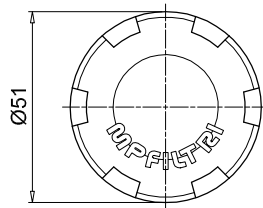
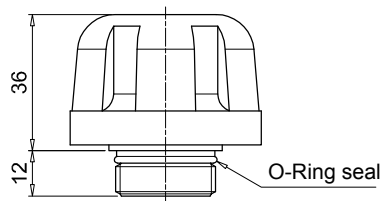


Designation & Ordering code

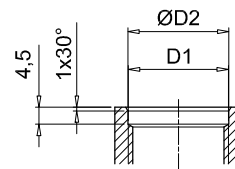
COMPLETE AIR FILTER

Serie	Configuration example:	SAP50	G3	L03	A	1	0	P01
SAP50								
Connections								
G2	G 3/8"							
G3	G 1/2"							
G4	G 3/4"							
Filtration rating								
L03	Resin impregnated paper	3 μ m						
L10	Polyurethane	10 μ m						
Seals								
A	NBR							
Valve								
0	Without valve							
1	0.5 bar pressurization valve							
Basket								
0	Without basket							
Execution								
P01	MP Filtri standard							
Pxx	Customized							

SAP50		
Threaded connection		
Connections	D1 [mm]	ØD2 [mm]
G2	G 3/8"	17
G3	G 1/2"	21.5
G4	G 3/4"	26.7



Housing on the tank



TA 80 series

Steel filler plug and air filter up to 550 l/min



TA 80 GENERAL INFORMATION

Technical data

Air breathers & Filler plugs

Steel filler plug and air filter Flow rates up to 550 l/min

TA80 is a range of metal air breathers and filler caps for protection of the tank against the solid contamination contained into the air and filling of the fluid into the systems during the commissioning and maintenance procedures.

They are directly fitted on the tank. The robust design allows the use of these filters in any heavy-duty application.

Available features:

- Male threaded connections up to 3/4" and flanged connection with bayonet, for a maximum flow rate of 550 l/min
- Fine cellulose filtration, to get a good cleanliness level into the reservoir
- Pressurization valve with different setting, to guarantee a positive pressure into the tank in any application with metal or plastic tanks
- Padlock tab, to secure the air breather to the tank
- Filling basket, to hold the coarse contamination contained into the fluid and to diffuse the fluid flow into the tank
- Anti-splash, to avoid fluid coming out through the air breather due to sloshing

Common applications:

- Hydraulic systems
- Mobile machines
- Industrial equipment

Flow rate Δp 0.02 bar

TA80	Flow rate [l/min]	
	Filtration rating 03	10
	450	550

Materials

- Cover: Chrome Plated steel
- Filter element: Resin impregnated paper, Polyurethane
- Pressurization valve: Polyamide (bodies), Galvanized steel (end cap - disk), Steel (spring), NBR (seals)
- Flange and anti-splash feature: Galvanized steel
- Seals: NBR
- Screws, Flange: Galvanized steel
- Chain, Ring: Brass
- Basket (only TA80B): Galvanized steel

Temperature

From -25 °C to +100 °C

Weight

L 80 mm 0.33 kg
L 100 mm 0.35 kg

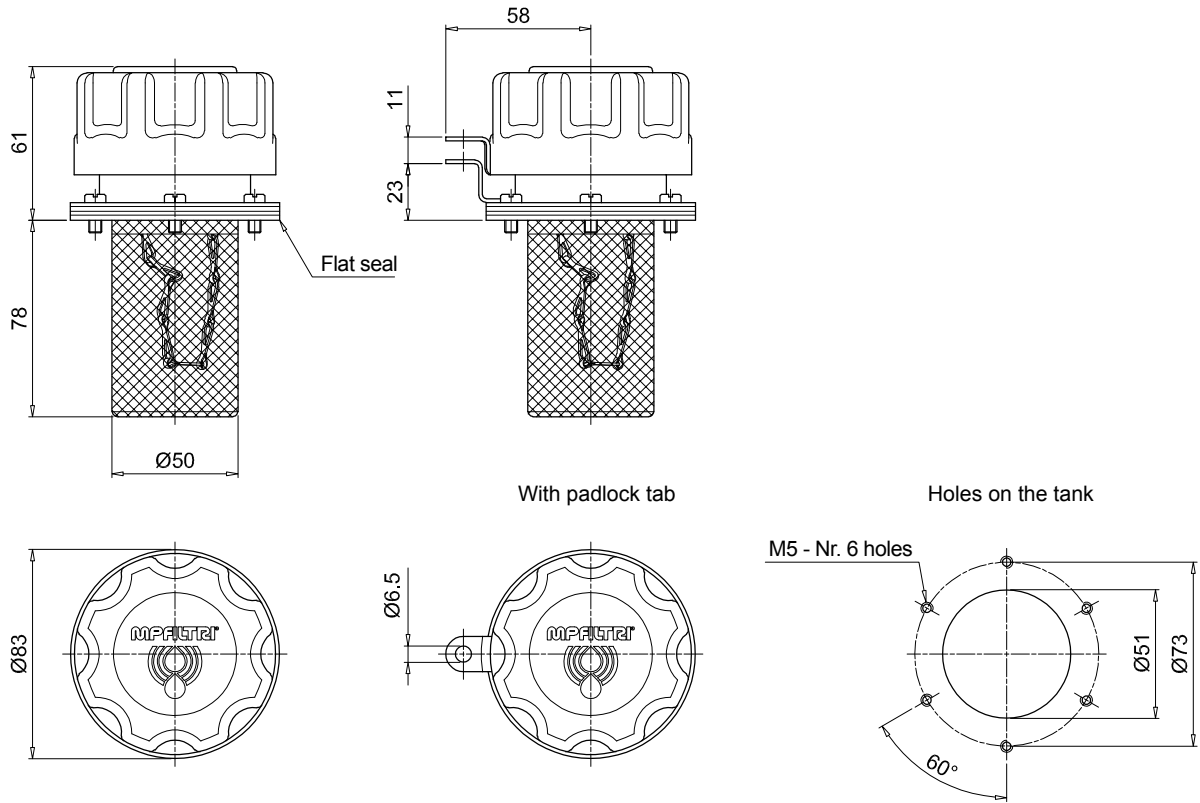


Designation & Ordering code

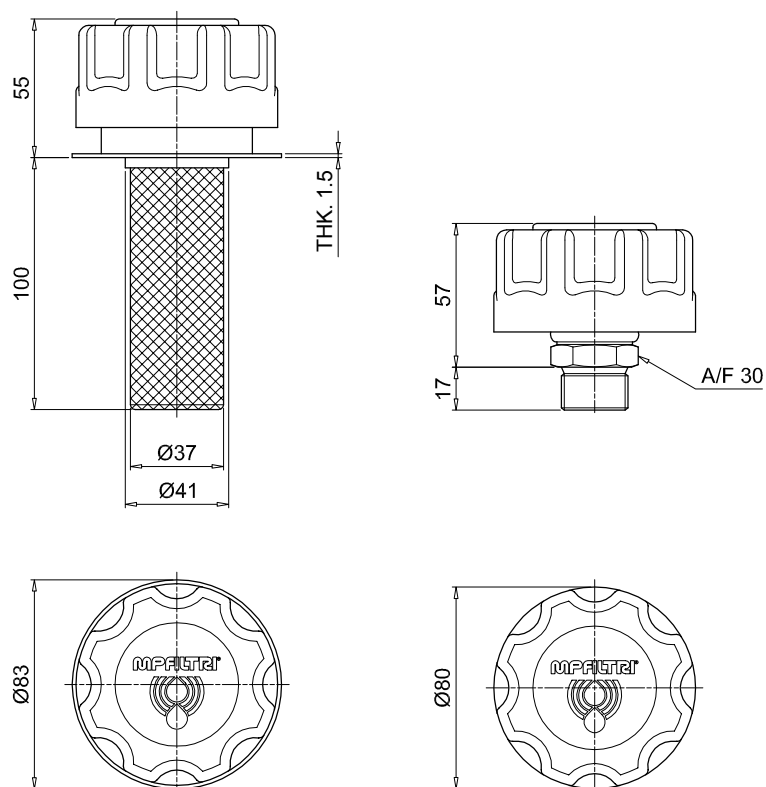
COMPLETE FILLER PLUG / COMPLETE AIR FILTER

Configuration example 1:	TA80	B	03	A	0	L	1	P01
Configuration example 2:	TA80	G	10	A	2			P01
Serie								
TA80								
Connections								
B	Screwed flange with bayonet mount	G	G 3/4"					
D	Weld flange with bayonet mount	N	3/4" NPT					
Filtration rating								
	Connection:	B	D	G	N			
00	Without filter (blind filler plug)	•	•	-	-			
03	Resin impregnated paper 3 µm	•	•	•	•			
10	Polyurethane 10 µm	•	•	•	•			
Seals								
A	NBR							
Valve								
	Filtration rating:	00	03	10				
0	Without valve	•	•	•				
1	0.3 bar pressurization valve	-	•	•				
2	0.7 bar pressurization valve	-	•	•				
9	With anti-splash feature	-	•	•				
Version								
	Connection:	B	D	G	N			
0	Standard	•	•	-	-			
L	With padlock tab	•	-	-	-			
Basket								
	Connection:	B	D	G	N			
0	Without basket	•	•	-	-			
1	With basket 80 mm	•	-	-	-			
3	With basket 100 mm	-	•	-	-			
Execution								
P01	MP Filtri standard							
Pxx	Customized							

TA80
Screwed flange



TA80
Weld flange
Threaded connection



TAP 90 series

Filler plug and polyamide air filter up to 550 l/min



TAP 90 GENERAL INFORMATION

Technical data

Air breathers & Filler plugs

Filler plug and polyamide air filters Flow rates up to 550 l/min

TAP90 is a range of plastic air breathers and filler caps for protection of the tank against the solid contamination contained into the air and filling of the fluid into the systems during the commissioning and maintenance procedures.

They are directly fitted on the tank.

Available features:

- Male threaded connections up to 1 1/2" and flanged connection with bayonet, for a maximum flow rate of 550 l/min
- Fine cellulose filtration, to get a good cleanliness level into the reservoir
- Pressurization valve with different setting, to guarantee a positive pressure into the tank in any application with metal or plastic tanks
- Padlock tab, to secure the air breather to the tank
- Filling basket, to hold the coarse contamination contained into the fluid and to diffuse the fluid flow into the tank
- Dipstick, to monitor the fluid level into the tank even in complicated positions

Common applications:

- Hydraulic systems
- Mobile machines
- Industrial equipment

Flow rate Δp 0.02 bar

TAP90	Flow rate [l/min]	
	Filtration rating 03	10
	450	550

Materials

- Cover/Ringnut: Polyamide
- Filter element: Resin impregnated paper, Polyurethane
- Pressurization valve: Polyamide (bodies), Galvanized steel (end cap - disk), NBR (seals)
- Flange B: Polyamide
- Seals: NBR
- Screws: Galvanized steel
- Padlock tab: Galvanized steel
- Chain, Ring: Brass
- Dipstick: Phosphatized steel
- Basket: Galvanized steel, Polyamide

Temperature

From -25 °C to +100 °C

Weight

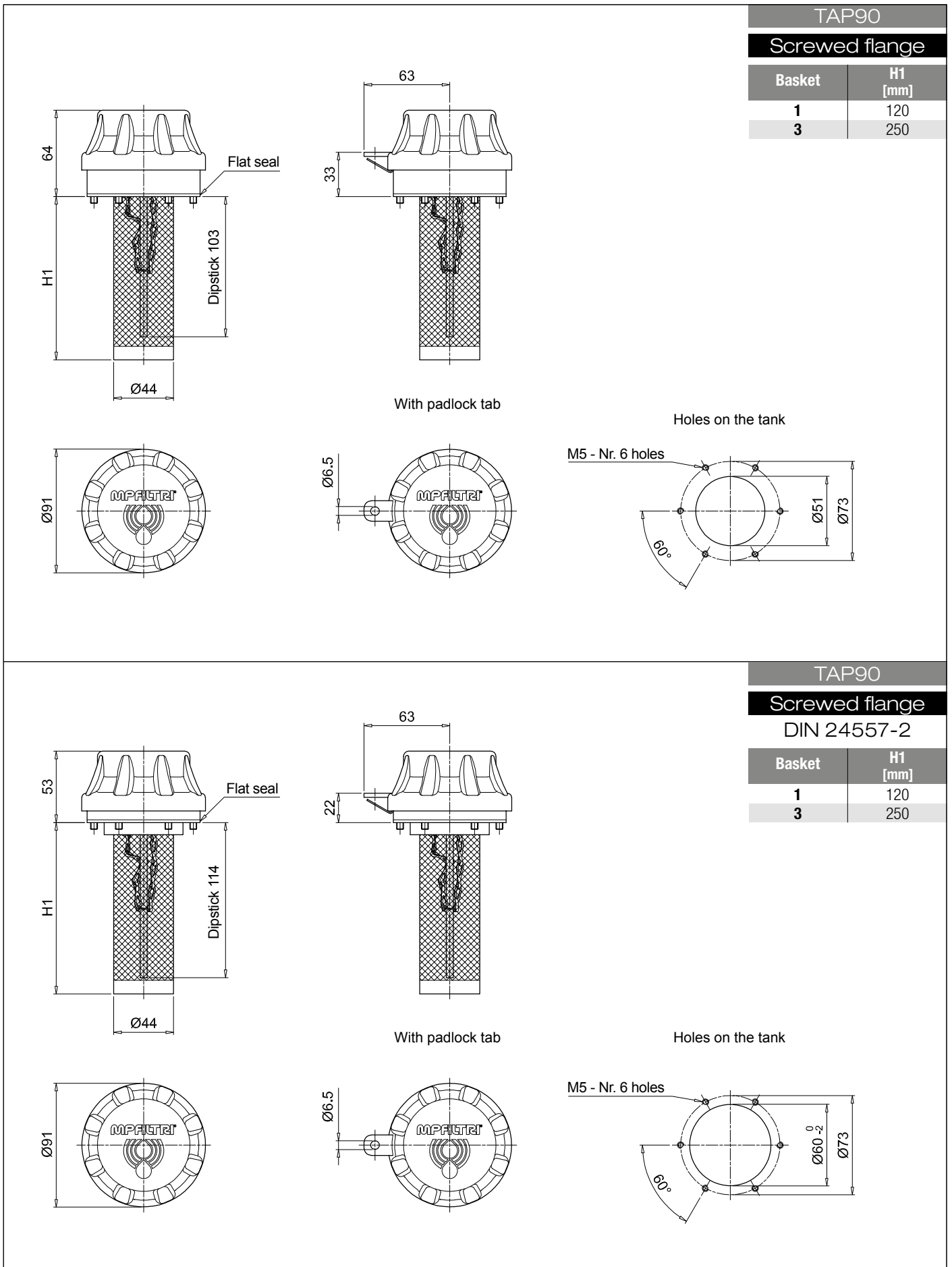
L 120 mm 0.25 kg
L 250 mm 0.31 kg



Designation & Ordering code

COMPLETE BREATHER PLUG

Serie	Configuration example 1:									
TAP90	TAP90	R	03	A	1	A	1	P01		
	Configuration example 2:									
	TAP90	G	10	A	2	L			P01	
Connections										
R Screwed flange with M52x2 mount	H G 1 1/2"									
F Screwed flange DIN 24557-2	M 3/4" NPT									
C Weld riser	G M52x2									
	Q G 3/4"									
	Connection									
Filtration rating	R	F	C	Q	H	M	G			
00 Without filter (blind filler plug)	•	•	•	-	-	-	-			
03 Resin impregnated paper 3 µm	•	•	•	•	•	•	•			
10 Polyurethane 10 µm	•	•	•	•	•	•	•			
Valve	Filtration rating:		00	03	10					
0 Without valve			•	•	•					
1 0.3 bar pressurization valve			-	•	•					
2 0.7 bar pressurization valve			-	•	•					
Version										
0 Standard	A With dipstick									
L With padlock tab	F With padlock tab and dipstick									
	Connection									
Basket	R	F	C	Q	H	M	G			
0 Without basket	•	•	•	-	-	-	-			
1 With basket 120 mm	•	•	•	-	-	-	-			
3 With basket 250 mm	•	•	•	-	-	-	-			
Seals										
A	NBR									
Execution										
P01	MP Filtri standard									
Pxx	Customized									

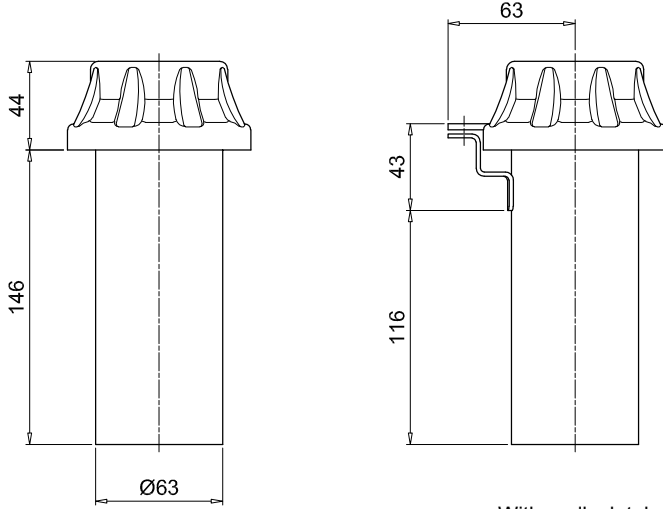


TAP 90

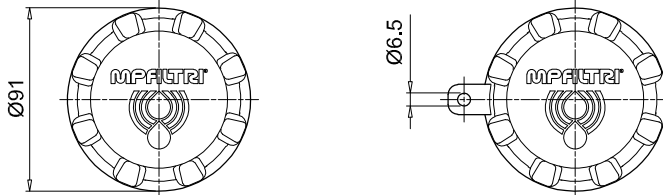
Dimensions

TAP90

Weld riser



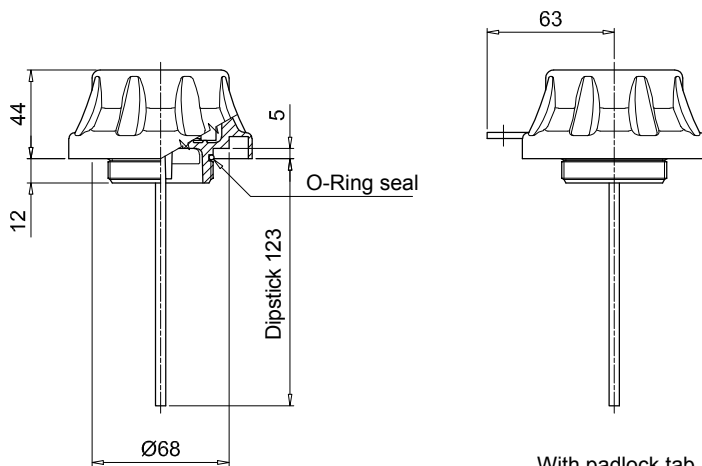
With padlock tab



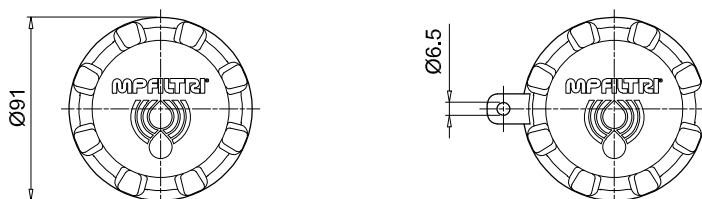
TAP90

Threaded connection

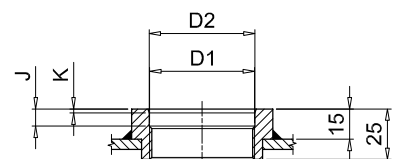
Connections	D1 [mm]	D2 [mm]	J [mm]	K [mm]
Q	G 3/4"	-	-	-
H	G 1 1/2"	48.5	8.5	2x15°
M	3/4" NPT	-	-	-
G	M 52x2	52.5	8.5	2x15°



With padlock tab



Housing on the tank
for connections G - H - M - Q



TAP 114 series

Filler plug and polyamide air filter up to 1600 l/min



TAP 114 GENERAL INFORMATION

Technical data

Air breathers & Filler plugs

Filler plug and polyamide air filters Flow rates up to 1600 l/min

TAP114 is a range of plastic large air breathers and filler caps for protection of the tank against the solid contamination contained into the air and filling of the fluid into the systems during the commissioning and maintenance procedures.
They are directly fitted on the tank.

Available features:

- Flanged connection, for a maximum flow rate of 1600 l/min
- Replaceable filter element
- Fine cellulose filtration, to get a good cleanliness level into the reservoir
- Polyester media is an option for heavy environmental conditions (high humidity, sand ...)
- Filling basket, to hold the coarse contamination contained into the fluid and to diffuse the fluid flow into the tank
- Anti-splash, to avoid fluid coming out through the air breather due to sloshing

Common applications:

- Hydraulic systems
- Mobile machines
- Industrial equipment

Flow rate Δp 0.02 bar

	Length	Flow rate [l/min]	
		standard	with anti-splash
TAP114	1	1450	480
TAP114	3	1600	530

Materials

- Cover: Polyamide
- Filter element: Resin impregnated paper
- Flange: Polyamide
- Seals: NBR
- Screws: Galvanized steel
- Basket: Polyamide

Temperature

From -25 °C to +100 °C

Weight

TAP 114 length 1 0.185 kg
TAP 114 length 3 0.200 kg



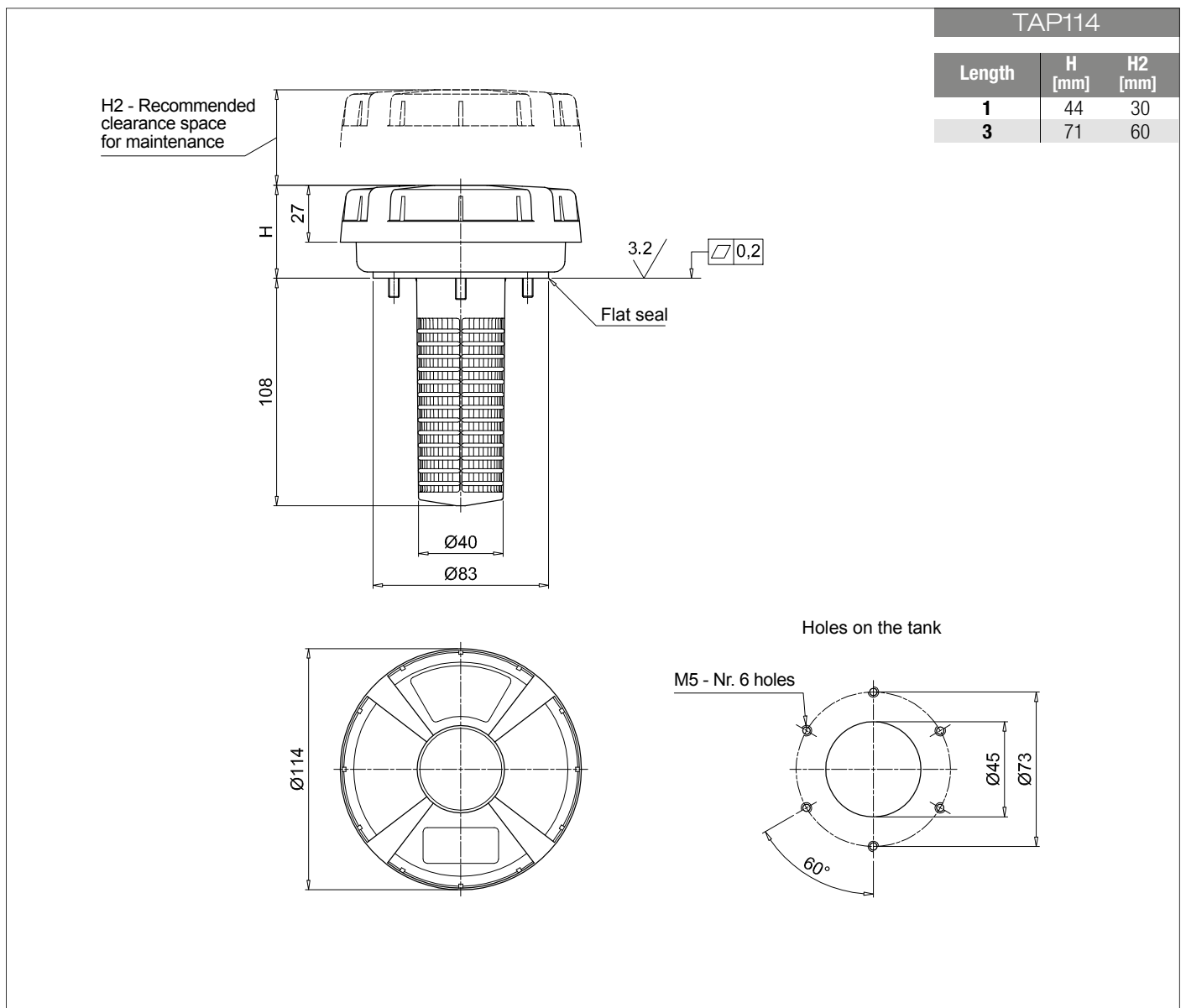
Designation & Ordering code

COMPLETE FILLER PLUG / COMPLETE AIR FILTER

Series TAP114	Configuration example: TAP114					
Length 1 3	1	L10	A	3	P01	
Filtration rating L10 Resin impregnated paper 10 µm						
Seals A NBR						
Version 1 With basket 3 With basket + anti-splash feature						
						Execution P01 MP Filtri standard Pxx Customized

FILTER ELEMENT

Filter element series A114	Configuration example: A114			
Length 1 3	1	L10	P01	
Filtration rating L10 Resin impregnated paper 10 µm				
				Execution P01 MP Filtri standard Pxx Customized



Version with anti-splash feature



TAP 115 - SAP 115

Filler plug and polyamide air filter up to 3000 l/min



TAP 115 GENERAL INFORMATION

Technical data

Air breathers & Filler plugs

Filler plug and polyamide air filters Flow rates up to 2150 l/min

TAP115 is a range of plastic large air breathers and filler caps for protection of the tank against the solid contamination contained into the air and filling of the fluid into the systems during the commissioning and maintenance procedures.
They are directly fitted on the tank.

Available features:

- Flanged connection, for a maximum flow rate of 2150 l/min
- Replaceable filter element.
- Fine cellulose and microfibre filtration, to get a good cleanliness level into the reservoir. Polyester media is an option for heavy environmental conditions (High humidity, sand ...)
- Visual clogging indicator
- Filling basket, to hold the coarse contamination contained into the fluid and to diffuse the fluid flow into the tank

Common applications:

- Hydraulic systems
- Mobile machines
- Industrial equipment

Flow rate Δp 0.02 bar

	Flow rate [l/min]	
	Filtration rating	A03
TAP115 length 1	1600	2000
TAP115 length 2	2150	2150

Materials

- Cover/flange: Polyamide
- Filter element: Microfibre, Resin impregnated paper
- Seals: NBR, FPM
- Basket/screws: Galvanized steel

Clogging indicators

- Manual reset
- Set pressure 0.062 bar \pm 10%

Temperature

From -25 °C to +100 °C

Weight

TAP 115 length 1	0.460 kg
TAP 115 length 2	0.585 kg



Designation & Ordering code

COMPLETE FILLER PLUG / COMPLETE AIR FILTER

Series	Configuration example:	TAP115	2	F	A03	A	1	A	P01
TAP115									
Length									
1 2									
Connections									
F Flange									
Filtration rating									
A03 Inorganic microfiber 3 μ m									
L10 Resin impregnated paper 10 μ m									
Seals									
A NBR V FPM									
Version									
1 With basket									
Clogging indicator									
A Without indicator									
B With visual clogging indicator									
Execution									
P01 MP Filtri standard									
Pxx Customized									

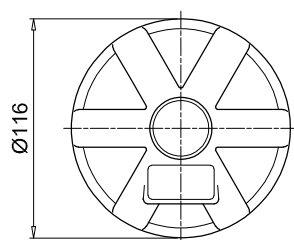
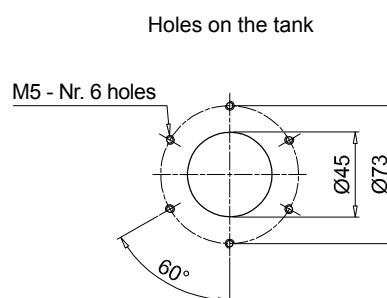
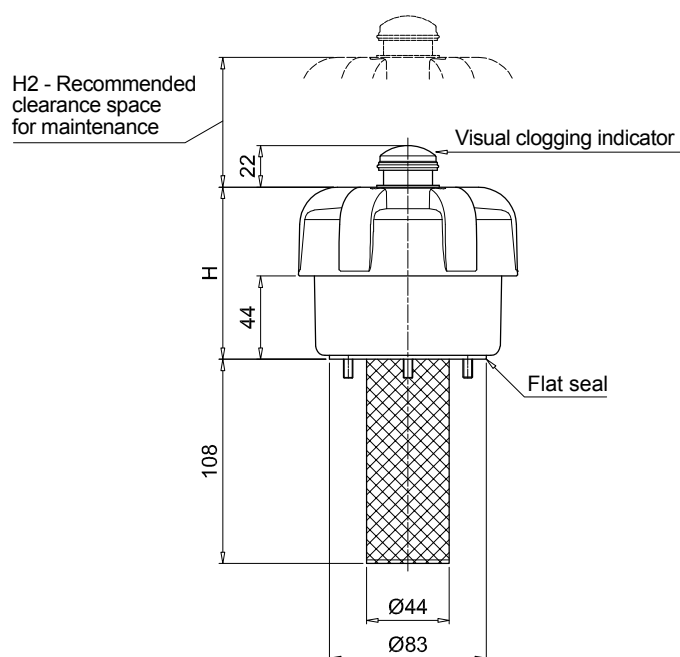
FILTER ELEMENT

Filter element series	Configuration example:	A115	2	A03	P01
A115					
Length					
1 2					
Filtration rating					
A03 Inorganic microfiber 3 μ m					
L10 Resin impregnated paper 10 μ m					
Execution					
P01 MP Filtri standard					
Pxx Customized					

TAP 115

Dimensions

TAP115		
Length	H [mm]	H2 [mm]
1	91	55
2	155	80



Technical data

Air breathers & Filler plugs

Filler plug and polyamide air filters

Flow rates up to 3000 l/min

SAP115 is a range of plastic large air breathers for protection of the tank against the solid contamination contained into the air. They are directly fitted on the tank.

Available features:

- Male threaded connections up to 1 1/2", for a maximum flow rate of 3000 l/min.
- Replaceable filter element.
- Fine cellulose and microfibre filtration, to get a good cleanliness level into the reservoir. Polyester media is an option for heavy environmental conditions (High humidity, sand ...)
- Visual clogging indicator
- Antisplash, to avoid fluid coming out through the air breather due to sloshing
- Filling basket, to hold the coarse contamination contained into the fluid and to diffuse the fluid flow into the tank

Common applications:

- Hydraulic systems
- Mobile machines
- Industrial equipment

Flow rate Δp 0.02 bar

	Flow rate [l/min]	
	Filtration rating	A03
SAP115 length 1 - G1"	1830	2170
SAP115 length 2 - G1"	2800	2800
SAP115 length 1 - G1 1/2"	1995	2330
SAP115 length 2 - G1 1/2"	3000	3000

Materials

- Cover/flange: Polyamide
- Filter element: Microfibre, Resin impregnated paper
- Connection: Polyamide
- Seals: NBR, FPM

Clogging indicators

- Manual reset
- Set pressure 0.062 bar \pm 10%

Temperature

From -25 °C to +100 °C

Weight

SAP 115 length 1	0.410 kg
SAP 115 length 2	0.525 kg



Designation & Ordering code

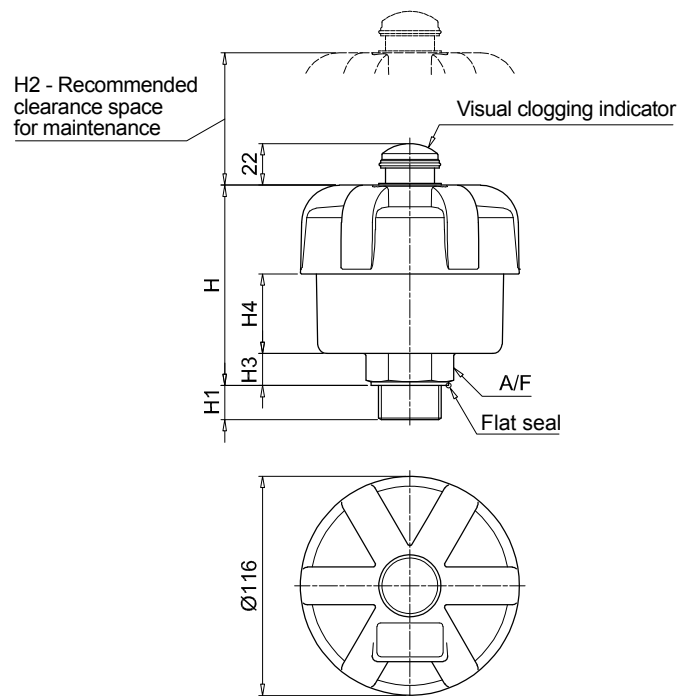
COMPLETE FILLER PLUG / COMPLETE AIR FILTER

Series	Configuration example: SAP115 2 A A03 A 1 A P01								
SAP115									
Length	1	2							
Connections	A G 1"		C G 1 1/2"						
Filtration rating	A03 Inorganic microfiber 3 μ m		L10 Resin impregnated paper 10 μ m						
Seals	A NBR								
Version	0 Standard		1 With anti-splash feature						
Clogging indicator	A Without indicator		B With visual clogging indicator						
Execution									
	P01		MP Filtri standard						
	Pxx		Customized						

FILTER ELEMENT

Filter element series	Configuration example: A115 2 A03 P01			
A115				
Length	1	2		
Filtration rating	A03 Inorganic microfiber 3 μ m		L10 Resin impregnated paper 10 μ m	
Execution				
	P01		MP Filtri standard	
	Pxx		Customized	

SAP115							
Length	Connections	H [mm]	H1 [mm]	H2 [mm]	H3 [mm]	H4 [mm]	A/F [mm]
1	A	106	18	55	17	42	41
	C	111	23	55	22	42	55
2	A	170	18	80	17	106	41
	C	175	23	80	22	106	55



The filler plugs series is composed by different versions: with breather filter, with dipstick for measuring the reservoir fluid level or with anti-splash fins to prevent spillage of oil from the reservoir to be specifically used on mobile equipments.

Filler and Drain Plugs



TC 50 page 65
TKT - TSD - TKM 69

TC 50 series

Polyamide filler plug



TC 50 GENERAL INFORMATION

Technical data

Filler and Drain Plugs

Polyamide filler plug

TC50 is a range of plastic compact air breathers and filler plugs for protection of the tank against the solid contamination contained into the air and filling of the fluid into the systems during the commissioning and maintenance procedures. They are directly fitted on the tank.

Available features:

- G 1" male threaded connection, with or without nut
- Metal filtration, to hold the coarse contamination contained into the air
- Filling basket, to hold the coarse contamination contained into the fluid and to diffuse the fluid flow into the tank
- Caps with different graphics and colours, for the use in several applications

Common applications:

- Hydraulic systems
- Mobile machines
- Industrial equipment

Materials

- Cover: Polyamide
- Filter element: Galvanized steel
- Filler cap: Polyamide
- Strainer: Galvanized steel / Polyamide
AISI 304 / Polyamide
- Collar: Polyamide
- Seals: Inorganic fibre
- Ringnut: Phosphatized steel

Temperature

From -25 °C to +100 °C

Weight

TC 50 G1" conn. 0.70 kg
TC 50 with ringnut 0.10 kg

Quantity

25 pcs/pack



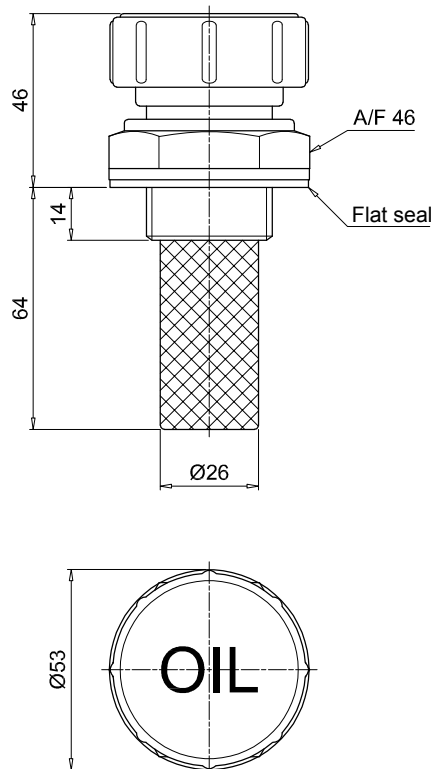
Designation & Ordering code

COMPLETE FILLER PLUG

Series	Configuration example :	TC50	G1	L90	P	R	O	C70	P01
TC50									
Connections									
G1	G 1"								
GA	With ringnut								
Filtration rating									
L90	Galvanized steel								
Seals									
P	Inorganic fiber								
Cover colour									
R	Red								
Y	Yellow								
Cover wording									
O	Oil								
N	Neutral								
Basket									
S	Without basket								
C70	With basket 70 mm - galvanized steel								
I70	With basket 70 mm - AISI 304								
Execution									
P01	MP Filtri standard								
Pxx	Customized								

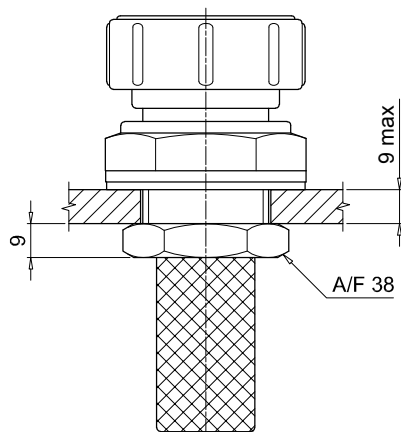
TC50

Threaded connection

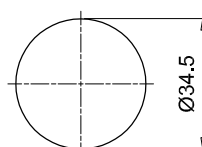


TC50

With ringnut



Through hole on the tank



TKT - TSD - TKM series

Filler and draining plugs



Technical data

Filler and draining plugs

Polyamide filler plug

TKT is a range of polyamide compact filler plugs for filling of the fluid into the systems during the commissioning and maintenance procedures. They are directly fitted on the tank.

Available features:

- Male threaded connections up to G 2"
- Breathing hole, to reduce the pressure inside the filter during the maintenance operations
- Caps with different graphics and colours, for the use in several applications
- Dipstick, to monitor the fluid level into the tank even in complicated positions
- Antisplash, to avoid fluid coming out through the air breather due to sloshing
- Labyrinth filter, to avoid fluid coming out through the air breather due to sloshing

Common applications:

- Hydraulic systems
- Mobile machines
- Industrial equipment

Materials

- Body: Polyamide
- Seals: NBR, Inorganic fibre
- Labyrinth: Polyamide
- Anti-splash feature: Resin impregnated paper
- Dipstick: Phosphatized steel

Temperature

From -25 °C to +100 °C

Weight

TKTG 13	5 g
TKTG 16	8 g
TKTG 20	10 g
TKTG 26	15 g
TKTG 33	30 g
TKTG 42	32 g
TKTG 60	35 g

Quantity

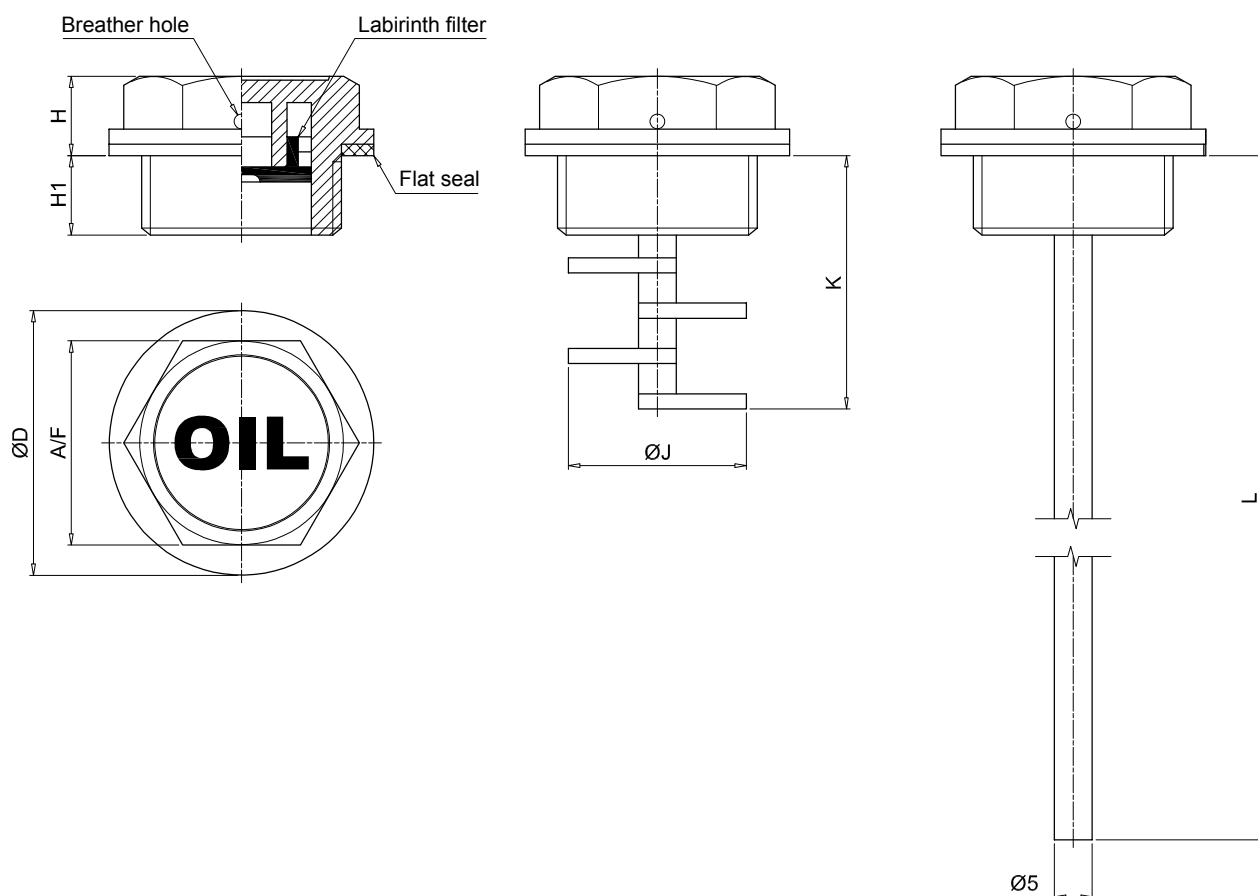
25 pcs/pack



Designation & Ordering code

COMPLETE FILLER PLUG

Series TKT	Configuration example : TKT G26 N N A F S P01									
Connections	Version									
	S	A	F	L						
G13 G 1/4"	•	•	-	•						
G16 G 3/8"	•	•	•	•						
G20 G 1/2"	•	•	•	•						
G26 G 3/4"	•	•	•	•						
G33 G 1"	•	•	•	-						
G42 G 1 1/4"	•	•	•	-						
G48 G 1 1/2"	•	•	•	-						
G60 G 2"	•	•	-	-						
Colour N	Black polyamide									
Cover wording O	Oil									
	N Neutral									
Seals	Version									
	S	A	F	L						
A NBR	-	•	•	-						
B Inorganic fiber	•	-	-	•						
Breather hole S	Without breather hole									
	F With breather hole									
Version S	Standard									
	F With anti-splash feature									
A	With dipstick									
	L With labyrinth filter									
Execution P01	MP Filtri standard									
Pxx	Customized									



Connections	ØD [mm]	A/F [mm]	H [mm]	H1 [mm]	ØJ [mm]	K [mm]	L [mm]
G13	20	17	8.5	7.5	-	-	205
G16	22	18	9.5	8.5	13.5	32	206
G20	28	22	9.5	9.5	17.5	33	207
G26	35	27	10.5	10.5	23.5	34	208
G33	42	34	10.5	10.5	29.5	36	201
G42	52	42	11	11	38	38	201
G48	58	47	11	11	38	36	201
G60	74	64	18	18	-	-	198

TSD GENERAL INFORMATION

Technical data

Filler / draining plugs

Polyamide filler plug

TSD is a range of polyamide compact air breathers and filler plugs for protection of the tank against the solid contamination contained into the air and filling of the fluid into the systems during the commissioning and maintenance procedures.

They are directly fitted on the tank.

Available features:

- Male threaded connections up to G 1 1/2"
- Metal filtration, to hold the coarse contamination contained into the air
- Caps with different graphics and colours, for the use in several applications
- Dipstick, to monitor the fluid level into the tank even in complicated positions
- Antisplash, to avoid fluid coming out through the air breather due to sloshing

Common applications:

- Hydraulic systems
- Mobile machines
- Industrial equipment

Materials

- Body: Polyamide
- Cover: Polyamide
- Seal: NBR
- Filter: Galvanized steel
- Anti-splash feature: Polyamide
- Dipstick: Phosphatized steel

Temperature

From -25 °C to +100 °C

Weight

TSDG16	15 g
TSDG20	25 g
TSDG26	28 g
TSDG33	60 g
TSDG42	69 g
TSDG48	74 g

Quantity

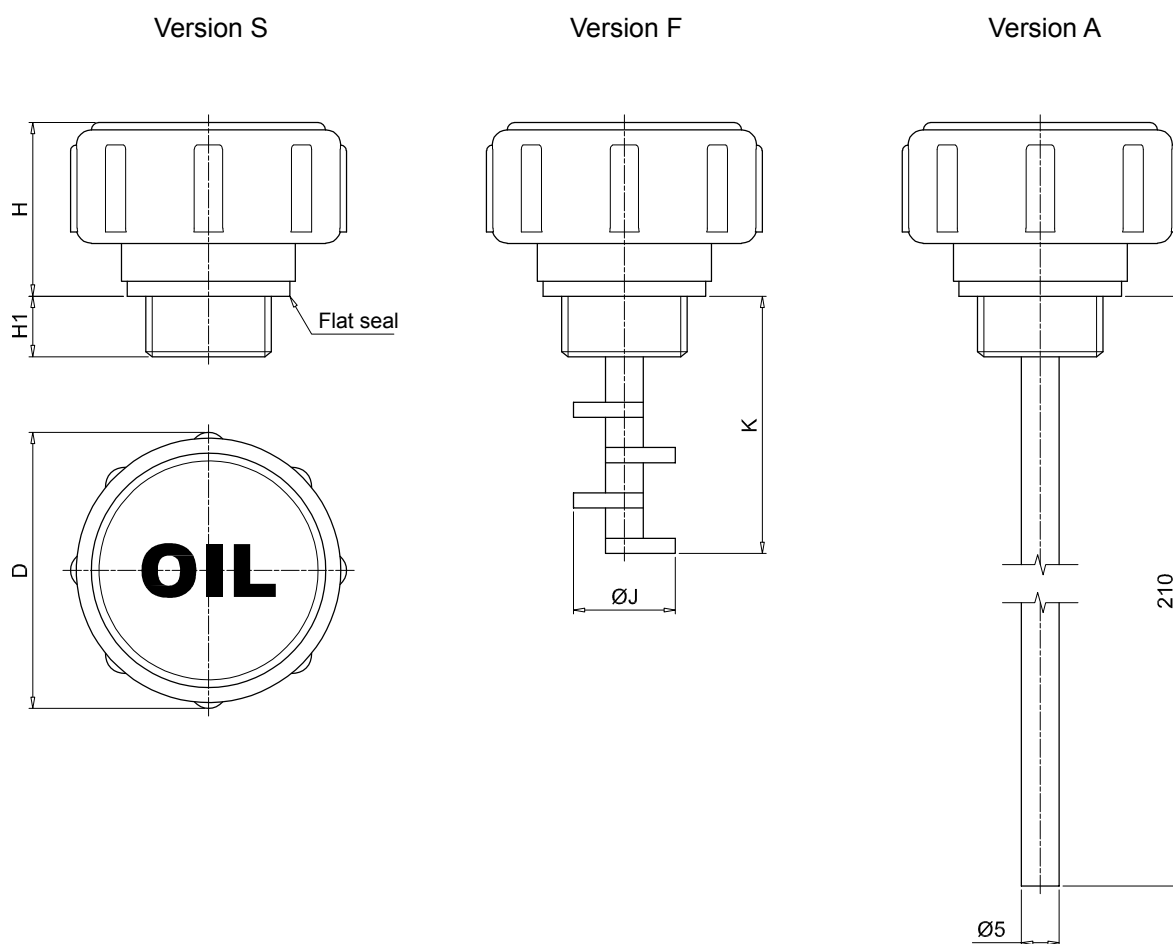
25 pcs/pack



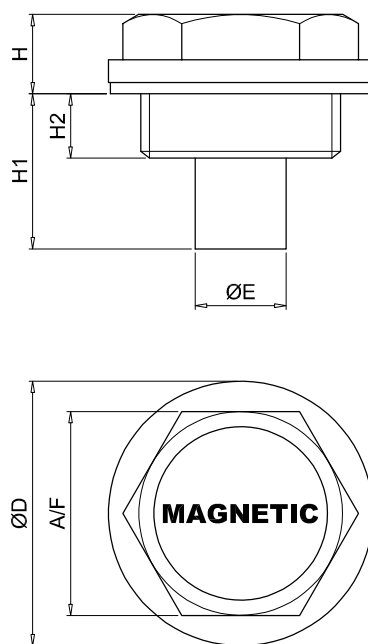
Designation & Ordering code

COMPLETE FILLER PLUG

Series	Configuration example :							
TSD	TSD	G26	R	G	A	F	S	P01
Connections								
G16	G 3/8"	G33	G 1"					
G20	G 1/2"	G42	G 1 1/4"					
G26	G 3/4"	G48	G 1 1/2"					
Cover colour								
R	Red	Y	Yellow					
Cover wording								
O	Oil							
N	Neutral							
G	Gasoil							
Seals								
A	NBR							
Filter element			Cover wording					
O	Without filter element	•	•	•				
A	Steel filter element	•	•	-				
Version								
S	Standard							
A	With dipstick							
F	With anti-splash feature							
								Execution
								P01 MP Filtri standard
								Pxx Customized



Connections	ØD [mm]	H [mm]	H1 [mm]	ØJ [mm]	K [mm]
G16	36.5	23	8	13.5	34
G20	40.5	23	9	17.5	34
G26	46.5	23	10	23.5	35
G33	52.5	24	11	29.5	42
G42	67.5	31.5	12	38	45
G48	67.5	31.5	11	38	45



Connections	ØD [mm]	A/F [mm]	ØE [mm]	H [mm]	H1 [mm]	H2 [mm]
G13	19	15	9.5	6	11.5	5.5
G16	22	18	8	9.5	13.5	7.5
G20	28	22	10	9.5	15.5	7.5
G26	35	27	12	10.5	20.5	8.5
G33	42	34	25	13	30.5	10.5

LC

The sight plugs series allow visibility of the fluid contained in the reservoirs, showing the level and also any changes in transparency and emulsion.

LV

The oil level indicators series is available for both static and mobile applications; the construction materials used make it possible to guarantee service with wide temperature variations and compatibility with all hydraulic fluids.

LVA / LVU level indicators are available with fixing centre distance from 76 to 1000 mm.

These indicators are available in three configurations, with transparent plastic body, with black plastic body and with aluminium body.

Fixing to reservoirs with unthreaded holes or with reduced thickness can be achieved using series LCC equipped with expansion kit.

Visual Oil Level Indicators



LCP - LCC	page 79
LVA - LVU	85

LCP - LCC series

Visual oil level indicator - round shape



LCP GENERAL INFORMATION

Technical data

Visual Oil Level Indicators

Visual oil level indicator - round shape

LCP is a range of plastic compact fluid level indicators, usually called spy eyes, for monitoring of the fluid level into the tank. They are directly fitted on the tank side.

Housings made of polyamide or steel can be selected, to meet every condition.

Available features:

- Male threaded connections up to G 2"
- Contrast baffle, to allow an easy monitoring of the level
- Special fixing kit, for reliable sealing even in tanks with thin walls

Common applications:

- Hydraulic systems
- Mobile machines
- Industrial equipment

T Series

Weight

LCPG13	1 g
LCPG16	2 g
LCPG20	4 g
LCPG26	8 g
LCPG33	10 g
LCPG42	12 g

Materials

- Body: Polyamide
- Contrast baffle : Polyamide
- Seals: NBR

M Series

Weight

LCPG20	6 g
LCPG26	9 g
LCPG33	13 g

Materials

- Body: Aluminium
- Lens: Thermoplastic
- Contrast baffle : Polyamide
- Seals: Inorganic fibre

N Series

Weight

LCPG13	2 g
LCPG16	4 g
LCPG20	7 g
LCPG26	9 g
LCPG30	12 g
LCPG33	18 g
LCPG42	25 g
LCPG48	48 g
LCPG60	59 g

Materials

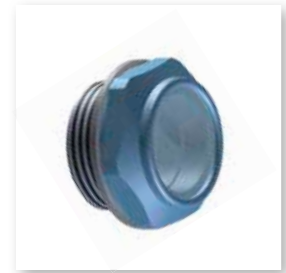
- Body: Polyamide
- Lens: Thermoplastic
- Contrast baffle : Polyamide
- Seals: Inorganic fibre, NBR
- Special fixing kit: Brass, NBR

Temperature

From -20 °C to + 80 °C

Quantity

25 pcs/pack

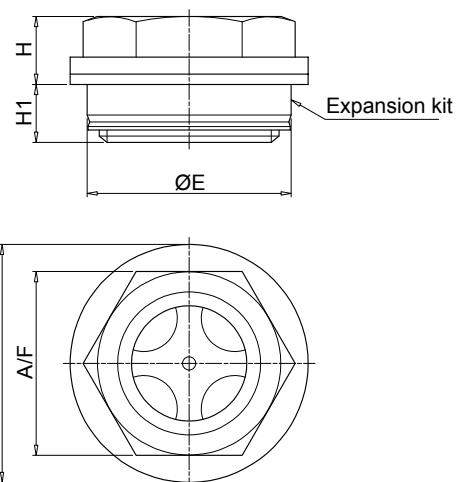
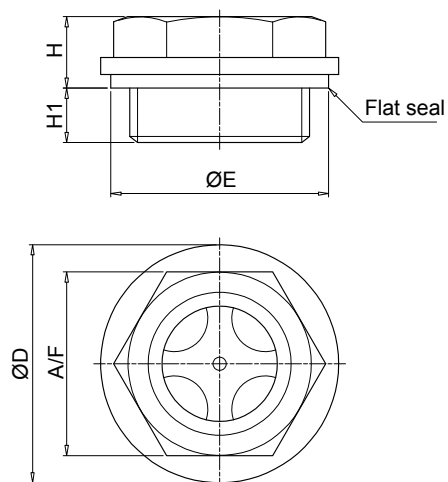


Designation & Ordering code

COMPLETE VISUAL OIL LEVEL INDICATOR

Series	Configuration example 1 :															Configuration example 2 :			Configuration example 3 :					
LCP	LCP	G26	N	S	B	S	P01	LCP	G42	T	S	A				P01	LCP	G20	M	C	A			P01
Connections	Material:	N	T	M																				
G13 G 1/4"		•	•	-																				
G16 G 3/8"		•	•	-																				
G20 G 1/2"		•	•	•																				
G26 G 3/4"		•	•	•																				
G33 G 1"		•	•	•																				
G42 G 1 1/4"		•	•	-																				
G48 G 1 1/2"		•	-	-																				
G60 G 2"		•	-	-																				
Material	N Black Polyamide	T Transparent polyamide	M Aluminium																					
Contrast baffle	Material:	N								T				M										
S Without contrast baffle	Connection:	G13	G16	G20	G26	G33	G42	G48	G60	G13	G16	G20	G26	G33	G42									
C With contrast baffle		-	•	•	•	•	•	•	•	-	-	-	-	•	•	•								
Seals	Material:	N				T				M														
A NBR	Expansion kit:		S	K						•														
B Inorganic fiber		•	-							-	-	-	-	-	-									
Special fixing kit	Material:	N								T				M										
S Without special fixing kit	Connection:	G13	G16	G20	G26	G33	G42	G48	G60															
K With special fixing kit		-	-	•	•	•	•	•	-	-	-	-	-	-	-									
Execution																								
P01	MP Filtri standard																							
Pxx	Customized																							

LCP - N



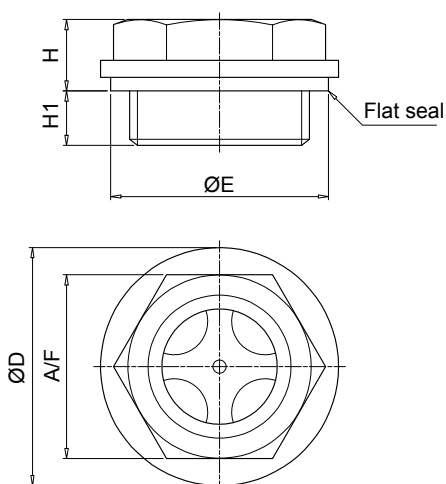
without expansion kit

Connections	ØD [mm]	ØE [mm]	A/F [mm]	H [mm]	H1 [mm]
G13	20	18.5	17	9	7
G16	22	21.5	18	10	7
G20	28	26	22	10	7
G26	35	32	27	10.5	8
G33	42	41	34	13.5	10.5
G42	52	51	42	14	11
G48	58	53.5	47	16	11
G60	74	72	64	16	18

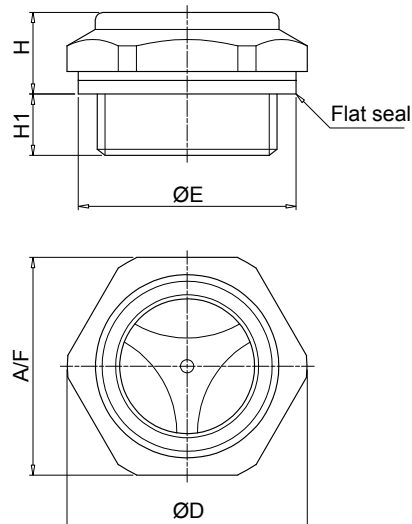
with expansion kit

Connections	ØD [mm]	ØE [mm]	A/F [mm]	H [mm]	H1 [mm]
G20	28	26	22	9	8
G26	35	30	27	10	8.5
G33	42	40	34	13	11
G42	52	50	42	13.5	11.5
G48	58	55	47	15.5	11.5

LCP - T



LCP - M



Connections	ØD [mm]	ØE [mm]	A/F [mm]	H [mm]	H1 [mm]
G13	20	18.5	15	6.5	5
G16	22	21.5	17	7	5.5
G20	28	26	21	8	6
G26	33	32	26	8.5	7
G33	41	41	32	9	8
G42	52	51	42	14	11

Connections	ØD [mm]	ØE [mm]	A/F [mm]	H [mm]	H1 [mm]
G20	29.5	26	27	11	7
G26	35.5	32	32	12	9
G33	44.5	41	40	13	8

Technical data

Visual Oil Level Indicators

Visual oil level indicator - round shape

LCC is a range of plastic compact fluid level indicators, usually called spy eyes, for monitoring of the fluid level into the tank. They are directly fitted on the tank side.

The special shape of the screen allows the monitoring of the fluid level from every position.

Available features:

- Male threaded connections up to G 2"
- Expansion kit, for reliable sealing even in tanks with thin walls

Common applications:

- Hydraulic systems
- Mobile machines
- Industrial equipment

N Series

Weight

LCCG26	7 g
LCCG42	20 g
LCCG60	40 g

Materials

- Body: Polyamide
- Lens: Polyamide
- Contrast screen: Polyamide
- Seals: Inorganic fibre, NBR
- Expansion kit: Brass / NBR

T Series

Weight

LCCG16	2 g
LCCG20	4 g
LCCG33	9 g

Materials

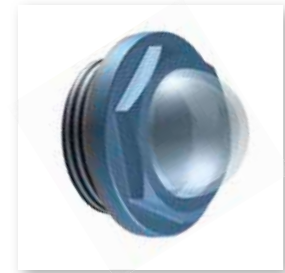
- Body: Polyamide
- Seals: NBR

Temperature

From -20 °C to + 80 °C

Quantity

25 pcs/pack



Designation & Ordering code

COMPLETE VISUAL OIL LEVEL INDICATORS

Series	Configuration example 1 :					
LCC	LCC	G20	N	A	K	P01
	Configuration example 2 :					
	LCC	G33	T	A		P01

Connections	Material:	N	T
G13 G 1/4"		-	-
G16 G 3/8"		-	-
G20 G 1/2"		•	•
G26 G 3/4"		•	•
G33 G 1"		•	•
G42 G 1 1/4"		•	-
G48 G 1 1/2"		•	-
G60 G 2"		•	-

Material	N	T
N Black polyamide		
T Transparent polyamide		

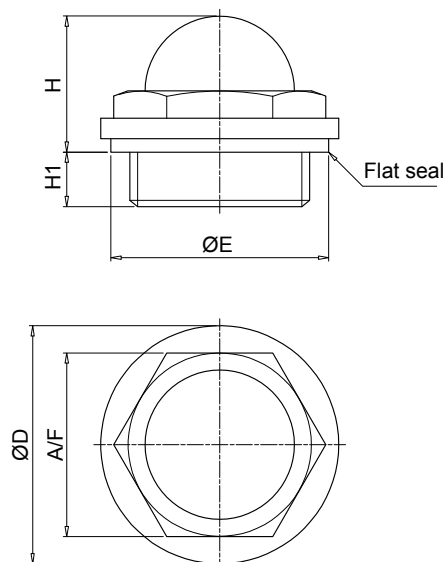
Seals	Material:	N		T
	Expansion kit:	S	K	
A NBR		-	•	•
B Inorganic fiber		•	-	-

Expansion kit	Material:	N						T
	Connection:	G20	G26	G33	G42	G48	G60	
S Without expansion kit		•	•	•	•	•	•	-
K With expansion kit		•	•	•	•	•	-	-

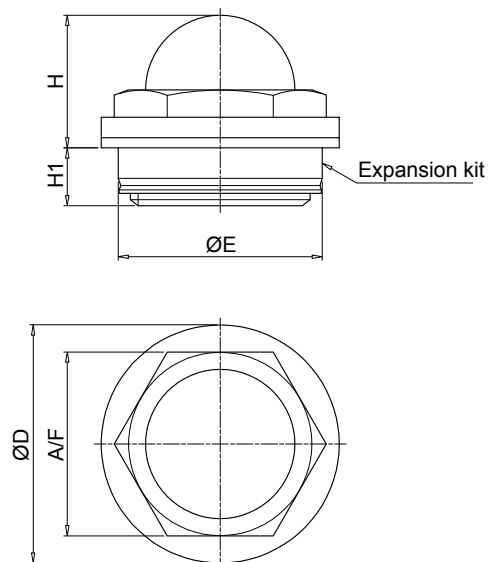
Execution	P01	Pxx
MP Filtri standard		
Customized		

LCC - N

without expansion kit



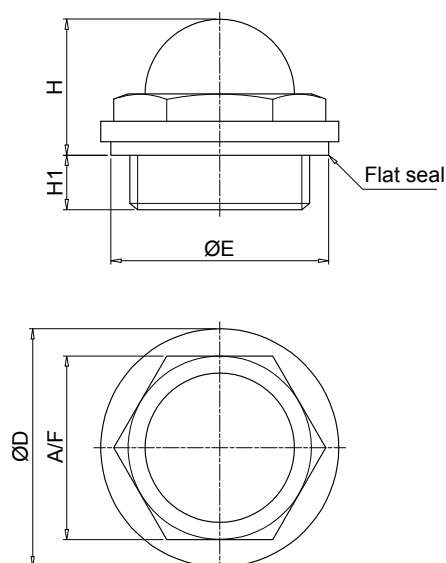
with expansion kit



Connections	ØD [mm]	ØE [mm]	A/F [mm]	H [mm]	H1 [mm]
G20	28	26	22	17.5	17.5
G26	35	32	27	20	8
G33	42	41	34	24	10
G42	52	51	44	30	11
G48	58	53.5	50	33	11.5
G60	74	72	64	39	18

Connections	ØD [mm]	ØE [mm]	A/F [mm]	H [mm]	H1 [mm]
G20	28	26	22	16.5	8.5
G26	35	30	27	19.5	8.5
G33	42	40	34	23.5	10.5
G42	52	50	44	29.5	11.5
G48	58	55	50	32.5	12

LCC - T



Connections	ØD [mm]	ØE [mm]	A/F [mm]	H [mm]	H1 [mm]
G13	19	18.5	15	12.5	5
G16	21.5	21.5	17	14	5.5
G20	27	26	21	16.5	6
G26	33	32	26	19	7
G33	40	41	32	22.5	8

LVA - LVU series

Visual oil level indicator - vertical shape



Technical data

Visual Oil Level Indicators

Oil level indicator - vertical shape

LVA is a range of plastic compact fluid level indicators for monitoring of the fluid level into the tank. They are directly fitted on the tank side. The fluid comes in through the lower connection screw and it is easily visible through the screen.

A white background plate, an orange line for the minimum level and a blue line for the maximum level allow an easy monitoring of the level.

Available features:

- Several male threaded connections, with or without nuts
- Three different sizes, to meet every size of tank
- Thermometer, to check the temperature of the fluid

Common applications:

- Hydraulic systems
- Mobile machines
- Industrial equipment

Materials

- Body: Transparent amorphous polyamide lens
- Polyamide guard
- Seal: NBR / FPM

Operating pressure

Max 1 bar at +80°C

Temperature

From -25 °C to +80 °C

Weight

LVA 10 0.13 kg
LVA 20 0.18 kg
LVA 30 0.23 kg

Quantity

10 pcs/pack



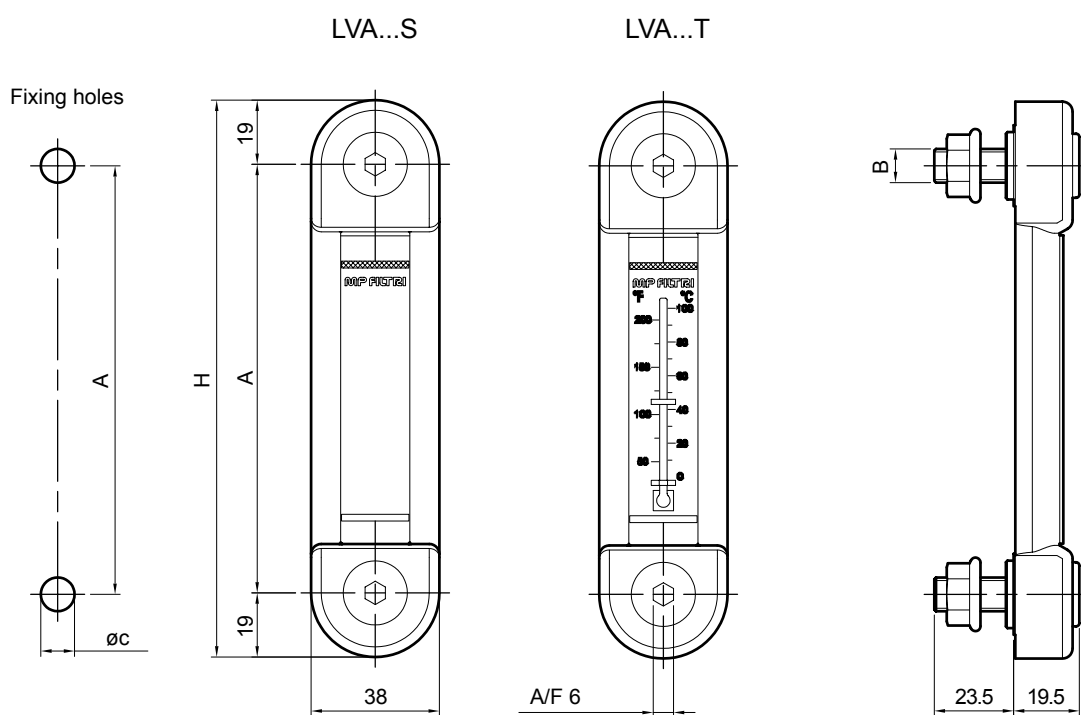
Designation & Ordering code

COMPLETE VISUAL OIL LEVEL INDICATORS

Series	Configuration example :						
LVA	LVA	20	T	A	P	M10	S01
Size							
10 20 30							
Thermometer							
S Without thermometer							
T With thermometer							
Seals							
A NBR							
V FPM							
Cover material							
P Polyamide							
Connections							
M10 M10							
M12 M12							
U38 3/8" UNC							
U12 G 1/2" UNC							
Execution							
S01 Tag MP Filtri, with nuts							
S02 Tag MP Filtri, without nuts							

LVA		
Size	A [mm]	H [mm]
LVA10	76	114
LVA20	127	165
LVA30	254	292

Type	B [mm]	C [mm]
LVA...M10	M10	10.5
LVA...M12	M12	12.5
LVA...U38	3/8" UNC	10.0
LVA...U12	1/2" UNC	13.5



Technical data

Visual Oil Level Indicators

Oil level indicator - vertical shape

LVU is a range of plastic fluid level indicators for monitoring of the fluid level into the tank. They are directly fitted on the tank side.

The fluid comes in through the lower connection screw and it is easily visible through the screen.

A background plate, a red float and the adjustable minimum level and maximum level indicators allow an easy check of the level.

Available features:

- G 3/8" male threaded connections
- Adjustable size on request, to meet every size of tank
- Drain valve, to drop the oil for the maintenance procedures
- Glass screen and "U" protection, to meet heavy duty applications

Common applications:

- Hydraulic systems
- Mobile machines
- Industrial equipment

Materials

- Head: Polyamide
- Connection G 3/8": Nickel plated brass
- G 3/8" valve: Steel
- Seal: NBR, FPM
- Pipe: Borosilicate glass, Acrylic
- Float: Polyamide
- Protection: Aluminium
- Clamps min-max: Polyamide

Temperature

From -25 °C to +70 °C

Weight

Series	version U	version S
LVU 0500	0.780 kg	0.580 kg
LVU 1000	1.150 kg	0.790 kg
LVU 1500	1.550 kg	1.100 kg
LVU 2000	1.950 kg	1.400 kg

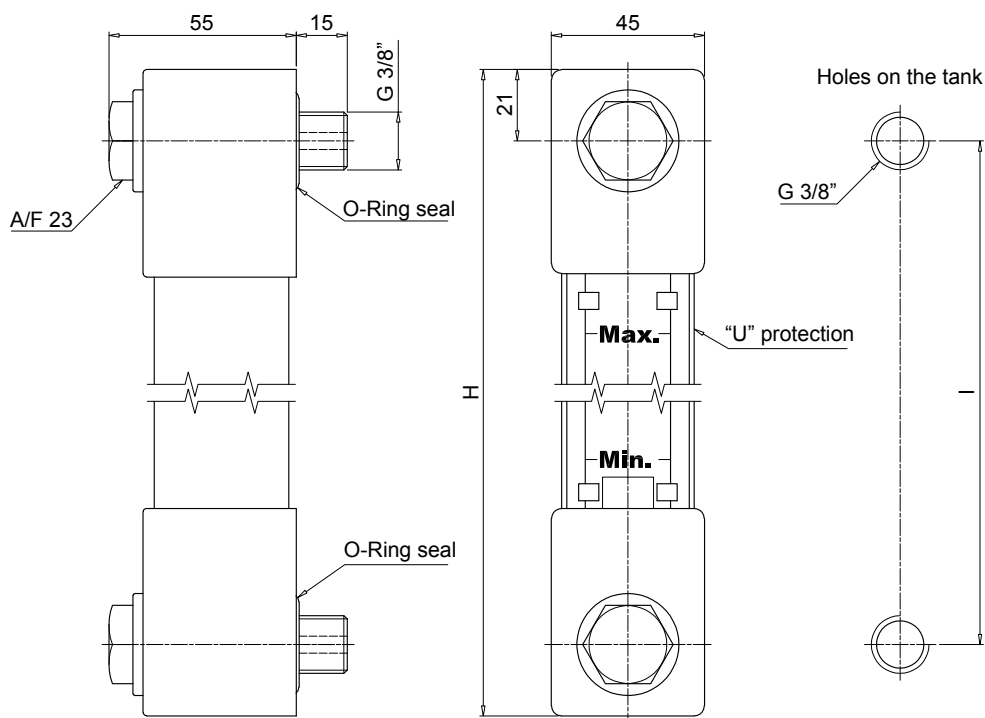


Designation & Ordering code

COMPLETE VISUAL OIL LEVEL INDICATORS

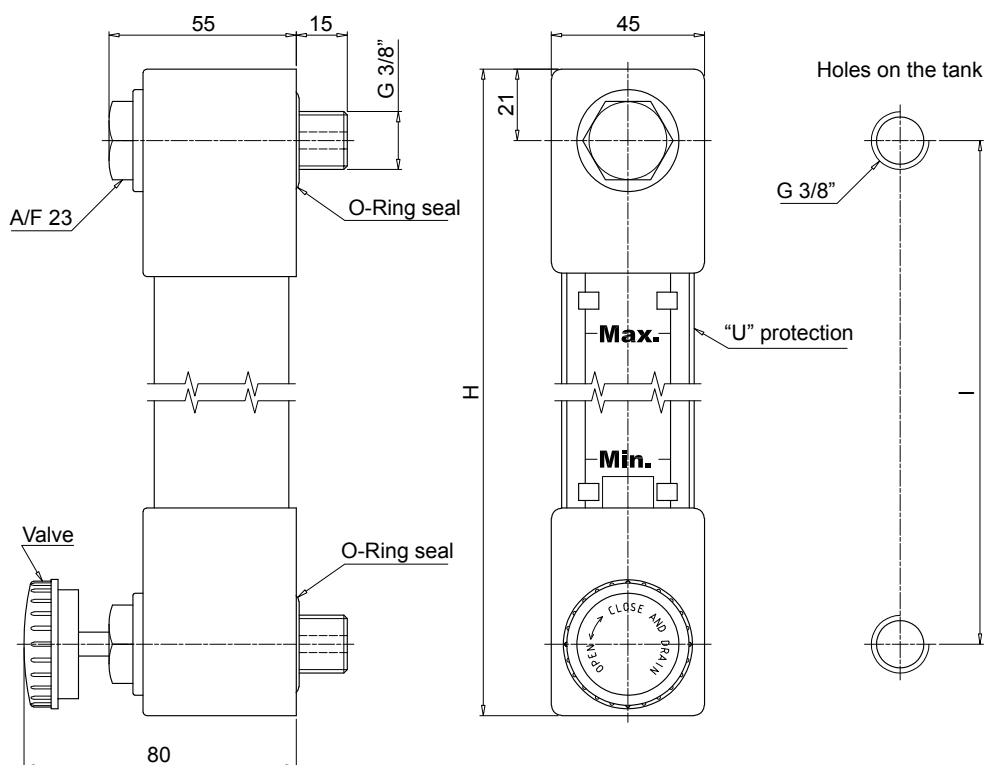
Series	Configuration example :					
LVU	LVU	0500	U	A	10	P01
Size						
0500	Distance between center = 500 mm					
1000	Distance between center = 1000 mm					
1500	Distance between center = 1500 mm					
2000	Distance between center = 2000 mm					
Different sizes on request						
Body	Size					
	500	1000	1500	2000		
S	Standard plexiglass					
U	Plexiglass, with "U" protection					
P	Borosilicate glass, with "U" protection					
Seals						
A	NBR					
V	FPM					
Connections						
10	G 3/8"					
20	G 3/8", with drain valve					
Execution						
P01	MP Filtri standard					
Pxx	Customized					

Without drain valve connection Port Size 10



LVU		
Size	H [mm]	I [mm]
0500	542	500
1000	1042	1000
1500	1542	1500
2000	2042	2000

With drain valve connection Port Size 20



Electromagnetic float level indicators use the action of a magnet fixed to the float to change the electrical status of a reed switch mounted inside the tube.

As the fluid level in the tank changes, the float moves together with the magnet that, connected with the reed switch, move the contacts thereby tripping an alarm signal.

The movement of the float is normally limited by mechanical stops because once the magnet exceeds the point at which it activates the reed switch, the switch reverts to its original status.

To invert the contact status from N.O. to N.C. and vice versa, it is sufficient to invert the float.

Electrical Oil Level Indicators



LEN - LEG - LET - LEM - LEU page 93
LVK 105

LEN - LEG - LET - LEM - LEU series

Electrical oil level indicators



Technical data

Electrical Oil Level Indicators

LEN is a range of electrical fluid level indicators for monitoring of the fluid level into the tank.

They are directly fitted on the tank.

The float moves through the rod while the fluid level changes.

A magnet, fitted into the float, turns a reed sensor fixed into the rod.

Available features:

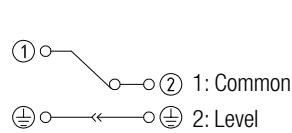
- G 1" male threaded or flanged connections
- Adjustable size on request, to meet every size of tank
- 1 or 2 floats, to monitor the minimum level, the maximum level or both of them

Common applications:

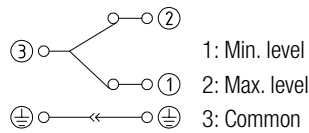
- Hydraulic systems
- Mobile machines
- Industrial equipment

Electrical symbol:

LEN 1 Float



LEN 2 Floats



Note: to invert the contact status from NC to NO and vice versa, simply invert the float.

Materials

- Flange/Threaded body: Aluminium
- Tube: Brass
- Float: Polyamide foam
- O-Ring: NBR
- Circlip: Phosphor bronze
- Contact: N.C. (Normally Closed)

Electrical data

- Protection rating: IP65
- Max switching capacity: 80 W
- Max switching current: 1 A
- Max switching voltage: 250 Vac
- Fluid specific gravity: > 0.75

Temperature

From -15 °C to + 80 °C

Weight

LEN 1 float 0.185 kg
LEN 2 floats 0.230 kg

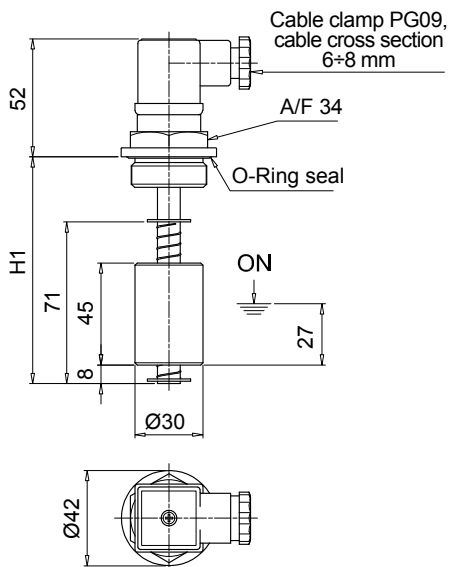


Designation & Ordering code

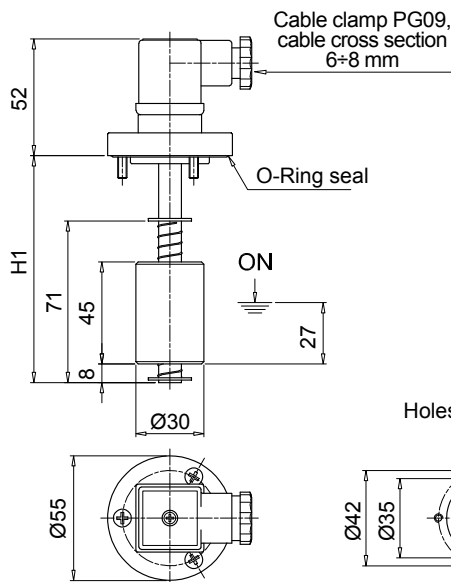
COMPLETE ELECTRICAL OIL LEVEL INDICATORS

Series	Configuration example :									
LEN	LEN	A	350	2	A	1	A	G	S	P01
Tube material										
A Brass										
Length										
150 200 250 350 400 500										
Number of floats	Length									
	150	200	250	350	400	500				
1 Nr. 1 float	•	•	•	•	•	•				
2 Nr. 2 floats	-	•	•	•	•	•				
Float material										
A Polyamide foam										
Electrical switch										
1 N.C. (Normally Closed)										
Seals										
A NBR										
Connections										
G G 1"										
F Nr. 3 holes flange										
Electrical connection										
S EN 175301-803 connector										
										Execution
										P01 MP Filtri standard
										Pxx Customized

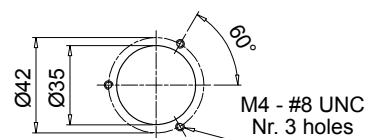
Connection "G"



Connection "F"



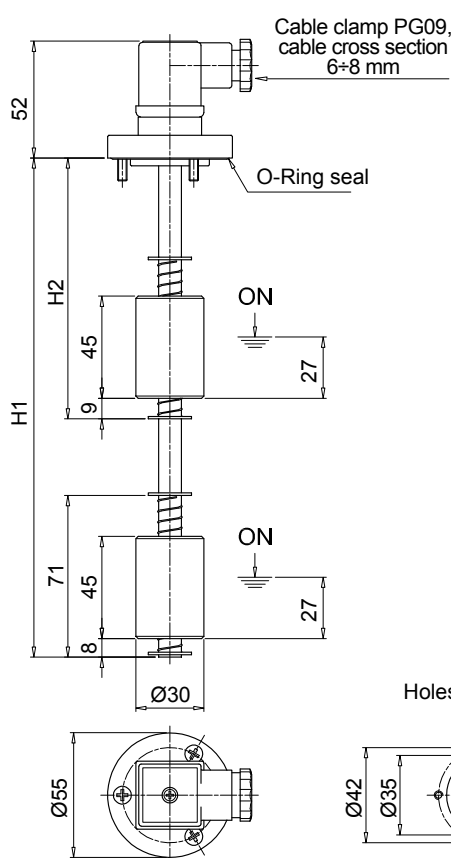
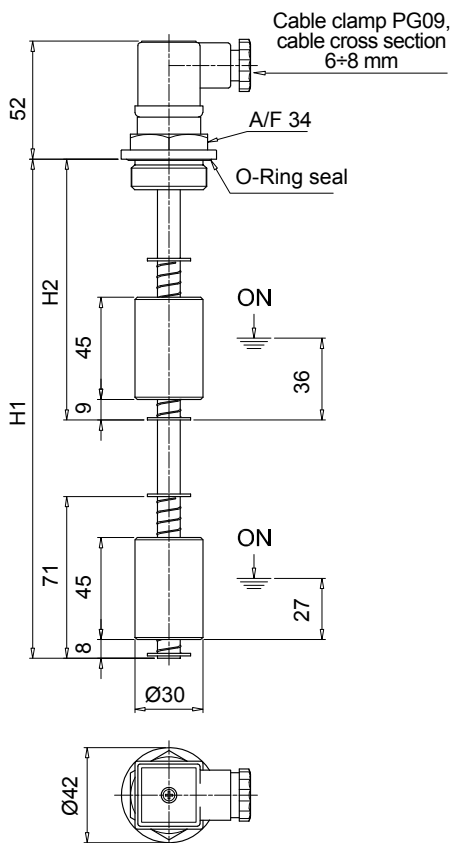
Holes on the tank



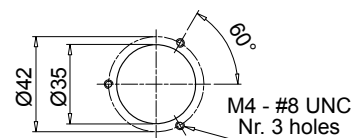
LEN

Nr. 1 float

Length	H1 [mm]
150	150
200	200
250	250
350	350
400	400
500	500



Holes on the tank

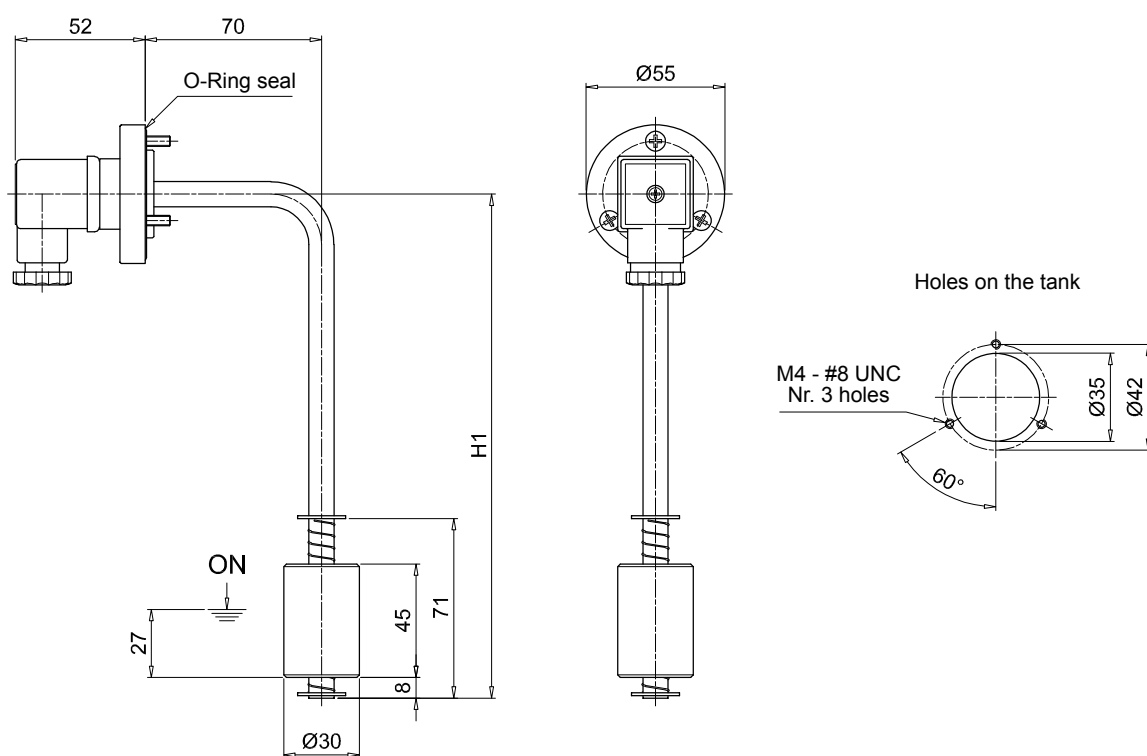


LEN

Nr. 2 floats

Length	H1 [mm]	H2 [mm]
200	200	95
250	250	105
350	350	115
400	400	115
500	500	125

LEG	
Size	H1 [mm]
LEG 102	103
LEG 200	200



Technical data

Electrical Oil Level Indicators

LET is a range of electrical fluid level indicators for monitoring of the fluid level into the tank. They are directly fitted on the tank. The float moves through the rod while the fluid level changes. A magnet, fitted into the float, turns a reed sensor fixed into the rod. The integrated thermostat allows to get a remote monitoring of the temperature.

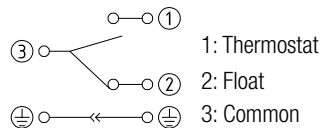
Available features:

- G 1" male threaded or flanged connections
- Adjustable size on request, to meet every size of tank
- Floating monitor for oil level check

Common applications:

- Hydraulic systems
- Mobile machines
- Industrial equipment

Electrical symbol:



Note: to invert the contact status from NC to NO and vice versa, simply invert the float.

Materials

- Flange/Threaded body: Aluminium
- Tube: Brass
- Float: Polyamide foam
- O-Ring: NBR
- Circlip: Phosphor bronze
- Contact: N.C. (Normally Closed)

Electrical data

- Protection rating: IP65
- Max switching capacity: 80 W
- Max switching current: 1 A
- Max switching voltage: 250 Vac
- Fluid specific gravity: > 0.75

Temperature

From -15 °C to + 80 °C

Weight

LET A 200	0.20 kg
LET A 300	0.23 kg
LET A 400	0.28 kg



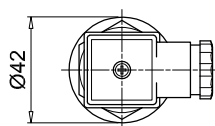
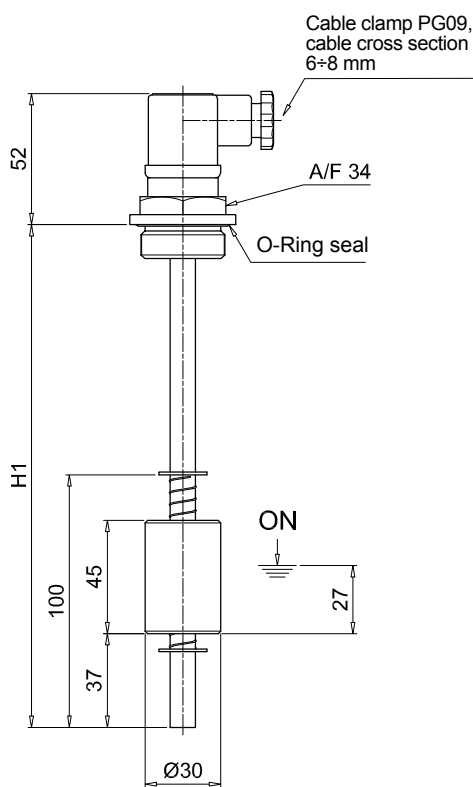
Designation & Ordering code

COMPLETE ELECTRICAL OIL LEVEL INDICATOR

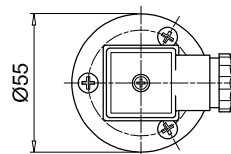
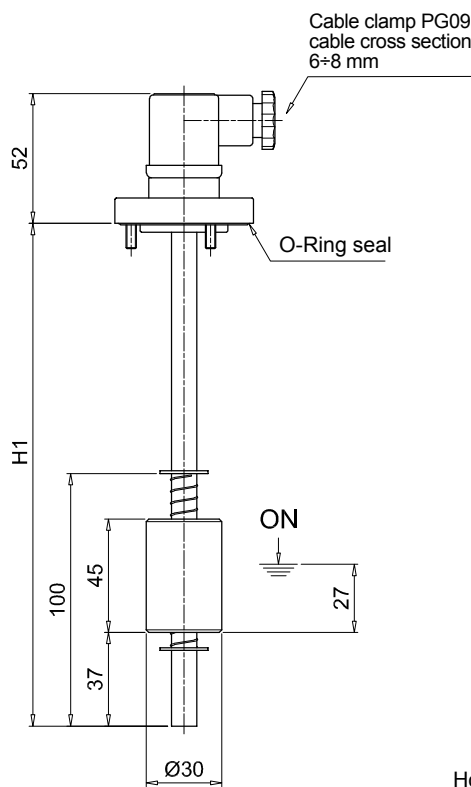
Series	Configuration example :	LET	A	300	1	A	1	A	F	S	50	P01
LET												
Tube material												
A Brass												
Length												
200 300 400												
Number of floats												
1 Nr. 1 float												
Float material												
A Polyamide foam												
Electrical switch												
1 N.C. (Normally Closed)												
Seals												
A NBR												
Connections												
G G 1"												
F Nr. 3 holes flange												
Electrical connection												
S EN 175301-803 connector												
Thermostat setting												
50 50°C N.O. (Normally Open)												
Execution												
P01 MP Filtri standard												
Pxx Customized												

LET	
Length	H1 [mm]
200	200
300	300
400	400

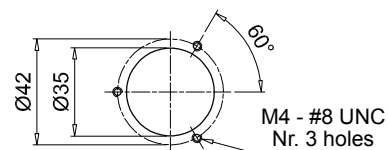
Connection "G"



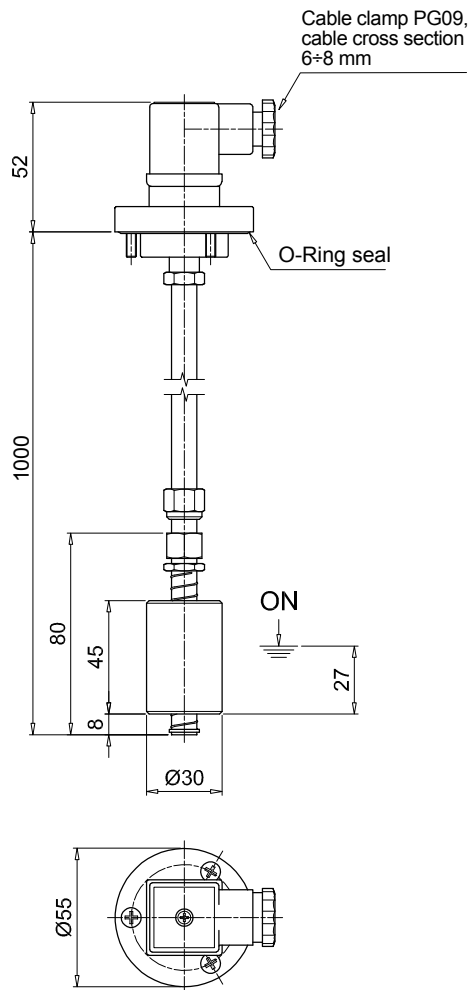
Connection "F"



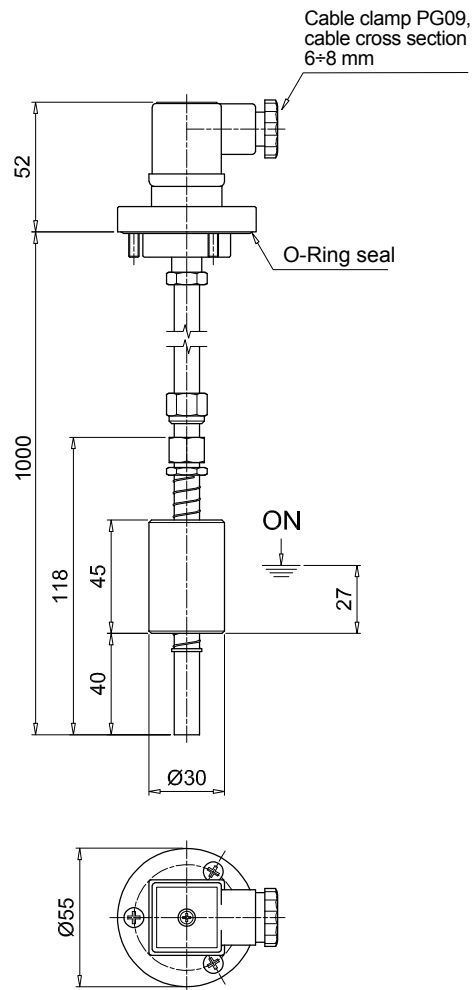
Holes on the tank



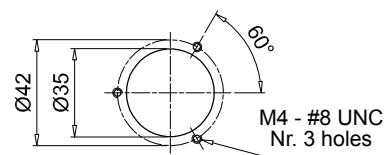
Without thermostat



With thermostat



Holes on the tank



Technical data

Electrical Oil Level Indicators

LEU is a range of electrical fluid level indicators for monitoring of the fluid level into the tank. They are directly fitted on the tank. The float moves through the rod while the fluid level changes. A magnet, fitted into the float, turns a reed sensor fixed into the rod. The setting point is adjustable on site, with few easy actions. They are made of stainless steel, to meet every heavy duty application.

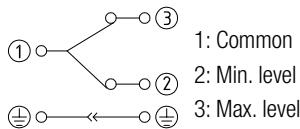
Available features:

- Flanged connections
- Setting size for each tank type
- Double Floating monitor for oil level check

Common applications:

- Hydraulic systems
- Mobile machines
- Industrial equipment

Electrical symbol:



Note: to invert the contact status from NC to NO and vice versa, simply invert the float.

Materials

- Flange / Threaded body: Aluminium
- Tube: AISI 304
- Float: NBR, AISI 316 (on request)
- O-Ring: NBR
- Circlip: AISI 304
- Float contact: N.C. reed, N.O. (on request)

Electrical data

- Protection rating: IP65
- Max switching capacity: 50 W
- Max switching current: 0.5 A
- Max switching voltage: 250 Vac
- Fluid specific gravity: > 0.75

Temperature

From -15 °C to + 80 °C

Weight

LEU 0.415 kg



Designation & Ordering code

COMPLETE ELECTRICAL OIL LEVEL INDICATOR

Series	Configuration example :	LEU	B	2	B	1	A	F	S	P01
LEU										
Tube material										
B AISI 304										
Number of floats										
2 Nr. 2 floats										
Float material										
B NBR										
Electrical switch										
1 N.C. (Normally Closed)										
Seals										
A NBR										
Connections										
F Nr. 3 holes flange										
Electrical connection										
S EN 175301-803 connector										
Execution										
P01 MP Filtri standard										
Pxx Customized										

LVK series

Electrical and visual oil level indicator



Technical data

Electrical Oil Level Indicators

LVK is a range of electrical and visual fluid level indicators for monitoring of the fluid level into the tank. They are directly fitted on the tank side. The float moves through the indicator housing while the fluid level changes.

Available features:

- Several male threaded connections
- Three different sizes, to meet every size of tank
- Thermometer, thermostat or PT100, to check the temperature of the fluid

Common applications:

- Hydraulic systems
- Mobile machines
- Industrial equipment

Electrical symbol:

see page. 108

Materials

- Head: Polyamide
- Screws: Nickel plated brass (standard), AISI 314 (optional)
- Seal: NBR (standard)
- Float: Polyamide
- Sensor thermometer: Screw + thermometer

Temperature

From -20 °C to + 80 °C

Weight

LVK 10	0.140 kg
LVK 20	0.170 kg
LVK 30	0.250 kg



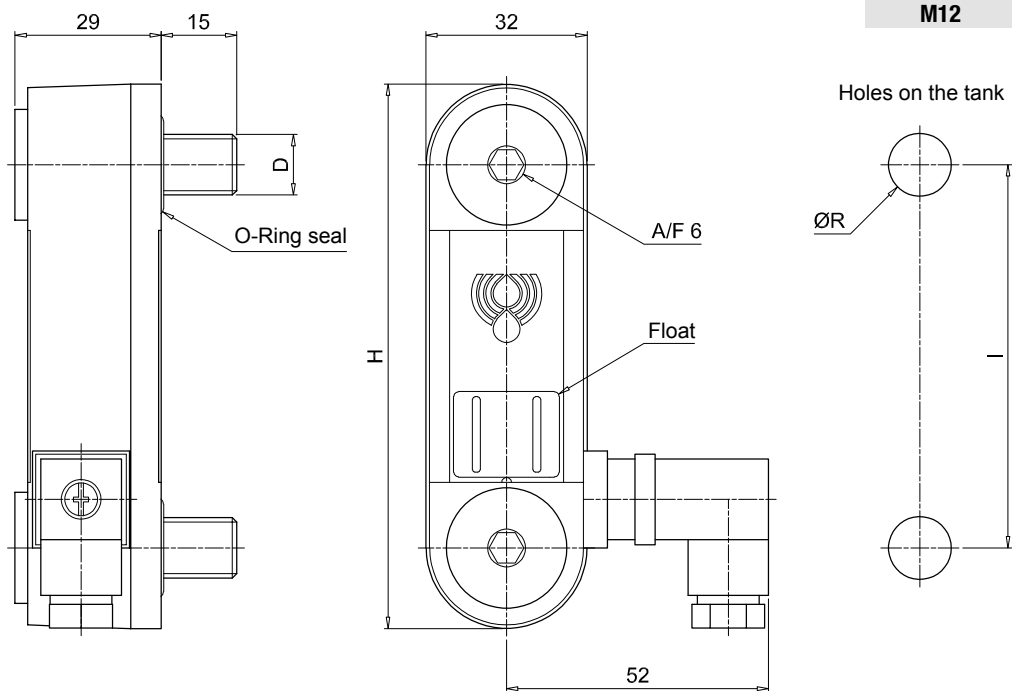
Designation & Ordering code

COMPLETE ELECTRICAL AND VISUAL OIL LEVEL INDICATORS

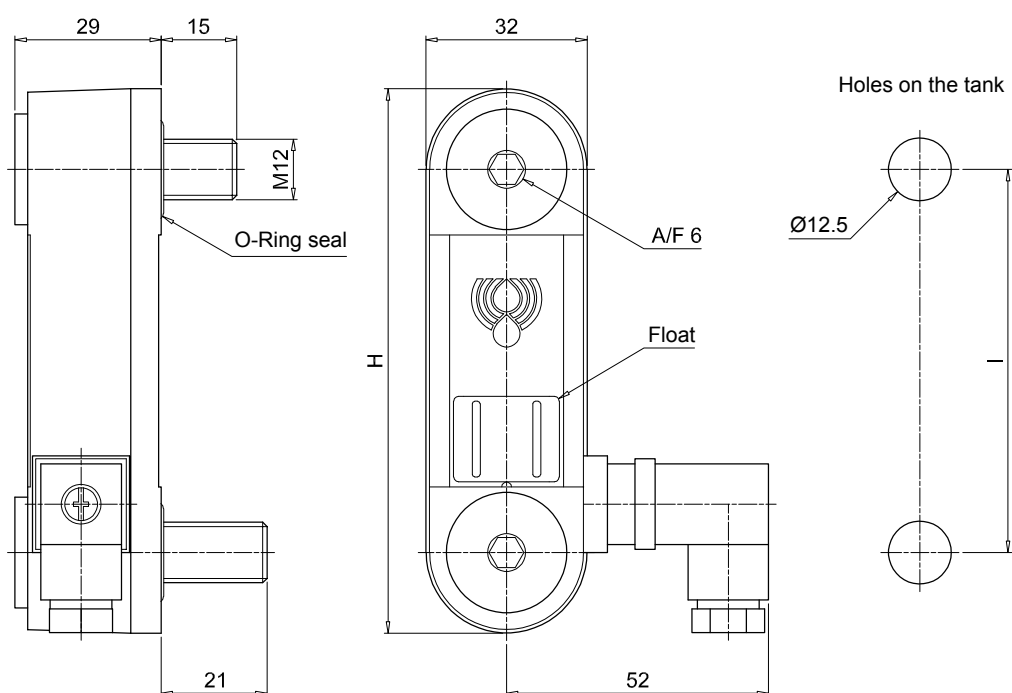
Series	Configuration example : LVK 20 A M12 1 T 5 P01								
LVK									
Length	10 20 30								
Seals	A NBR								
Connections	M10 Screws M10	M12	Screws M12						
Electrical switch in absence of fluid	1 N.O. (Normally Open)								
	2 N.C. (Normally Closed)								
	3 SPDT (single-pole, double throw)								
Version		Connection							
		M10	M12						
S	Standard	•	•						
T	With thermostat	-	•						
P	With PT100 sensor	-	•						
Thermostat setting		Version							
		S	T	P					
S	Standard (no setting)	•	•	•					
1	50°C N.O. (Normally Open)	-	•	-					
2	60°C N.O. (Normally Open)	-	•	-					
3	70°C N.O. (Normally Open)	-	•	-					
5	50°C N.C. (Normally Closed)	-	•	-					
6	60°C N.C. (Normally Closed)	-	•	-					
7	70°C N.C. (Normally Closed)	-	•	-					
Execution									
P01 MP Filtri standard									
Pxx Customized									

LVK		
Size	H [mm]	I [mm]
10	108	76
20	159	127
30	286	254
Connections	D [mm]	ØR [mm]
M10	M10	10.5
M12	M12	12.5

Without thermostat

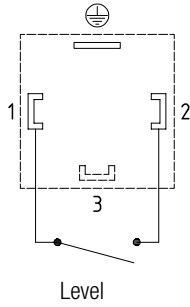


With thermostat

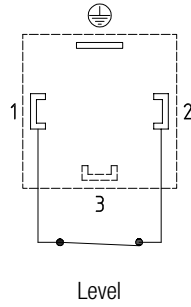


Electrical symbols

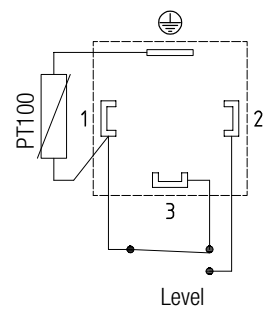
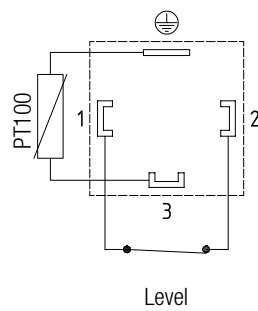
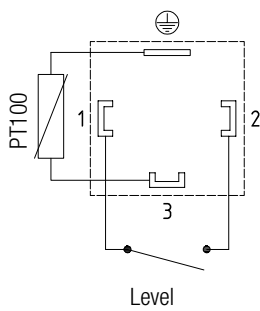
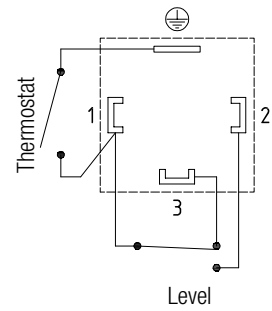
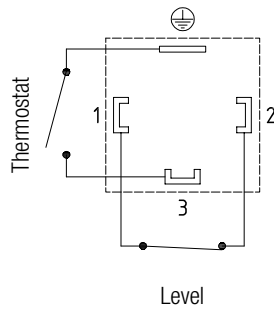
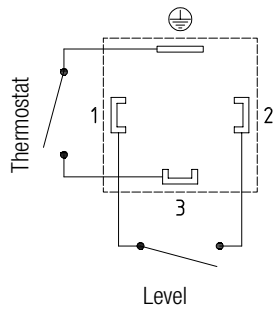
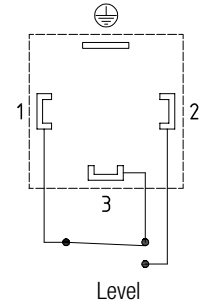
N.O.
(Normally Open)



N.C.
(Normally Closed)



SPDT
(single-pole, double-throw)



EM1 & SVM gauge isolator valves are designed to protect pressure gauges from pressure shocks when the pressure reading is not required.

FTA/FTR flanges make it possible to fix suction and return lines on the reservoir cover.

MULTIFIX fixing clamps make it possible to install various pipelines of different types and diameters, rapidly, easily, and, more importantly, economically.



EM1	page 113
SVM	119
FTA - FTR	123
MULTIFIX SFT	127

EM1 series

Pressure gauge isolator



Technical data

Accessories

Pressure gauge isolator

Gauge isolator valves are designed to protect pressure gauges from pressure shocks when the pressure reading is not required; after each reading setting the selector to the closed position serves to depressurise the pressure gauge by means of the T fitting connected to the reservoir.

Working instructions:

- Button not pressed: pressure gauge isolated
- Button pressed: pressure gauge reading
- Button pressed and turned (either to left or right): button remains in position and pressure gauge measures pressure continuously.
- To isolate the pressure gauge from pressure reading, turn the button until it returns to the not pressed position.

Materials A-B

- Body: Cast iron
- Pin: Steel
- Seals: NBR
- Knob/cover: Polyamide
- Stop ring: Steel
- Spring: Steel
- Nameplate: Aluminium
- Nut-screw: Galvanized steel

Materials C

- Body: Cast iron
- Pin: Steel
- Seals: NBR
- Knob/cover: Polyamide
- Stop ring: Steel
- Spring: Steel
- Nameplate: Aluminium
- Nut-screw: Galvanized steel
- Plug: Anodized steel

Operating pressure

400 bar

Operating temperature

From -25 °C to + 100 °C

Weight

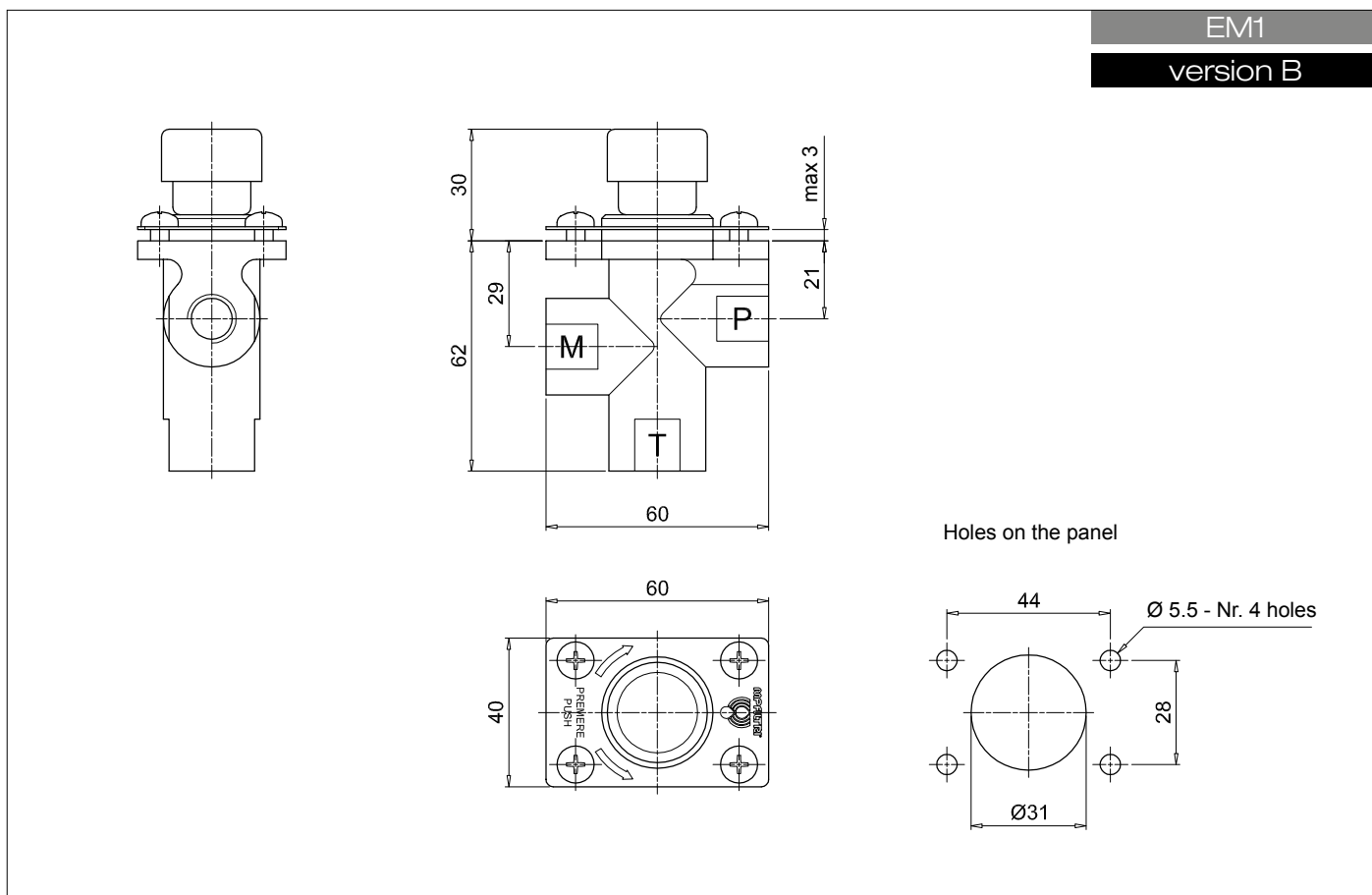
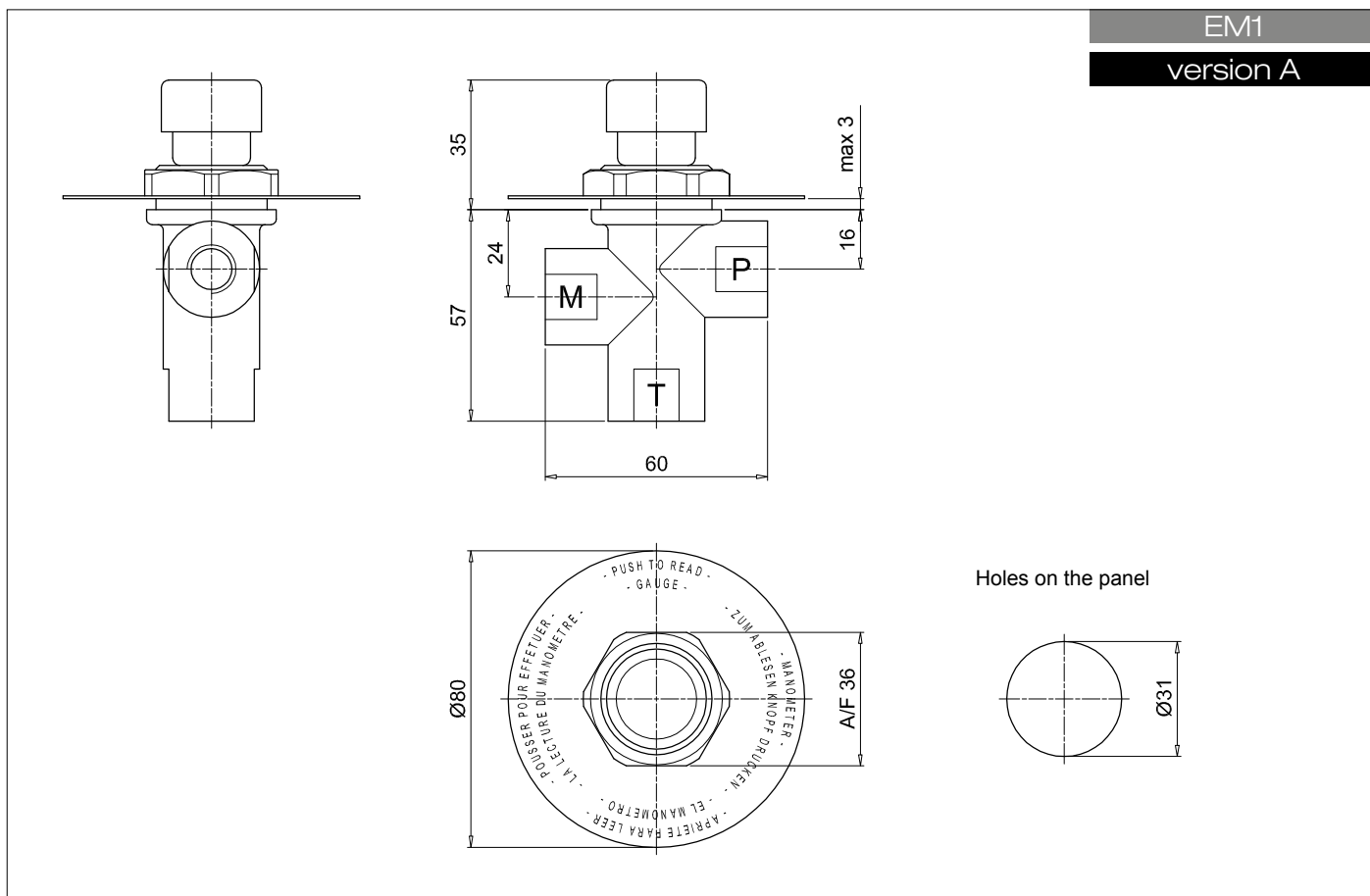
EM1 version A	0.41 kg
EM1 version B	0.44 kg
EM1 version C	1.00 kg



Designation & Ordering code

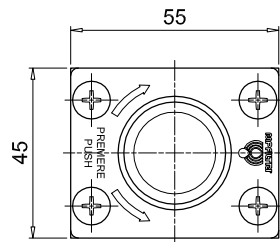
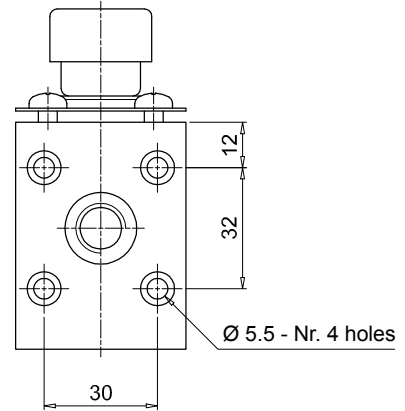
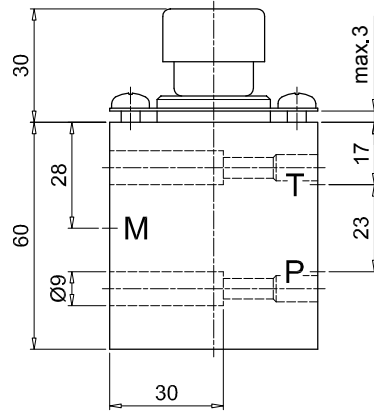
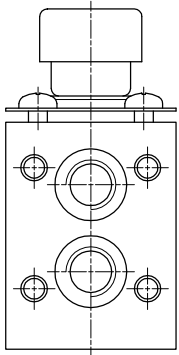
COMPLET PRESSURE-GAUGE ISOLATOR

Series		Configuration example : EM1 A G2 A P01				
EM1						
Version	G1	G2				
A Threaded connections, panel mount with hex nut	•	•				
B Threaded connections, panel mount with screws	•	-				
C Manifold/threaded connections, panel mount with screws	•	-				
Connection						
G1 G 1/4"						
G2 1/4" NPT						
Seals						
A NBR						
Execution						
P01 MP Filtri standard						
Pxx Customized						

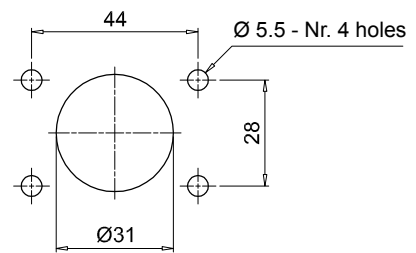


EM1

version C



Holes on the panel



SVM series

Gauge selector valve



SVM GENERAL INFORMATION

Technical data

Accessories

Gauge selector valve

Gauge isolator valves are designed to protect pressure gauges from pressure shocks when the pressure reading is not required; after each reading setting the selector to the closed position serves to depressurize the pressure gauge by means of the T fitting connected to the reservoir.

Working instructions:

- Knob not pressed: pressure gauge isolated
- Knob pressed: pressure gauge reading
- Knob pressed and turned: the knob remains in position and pressure gauge measures pressure continuously.
- To isolate the pressure gauge from pressure reading, turn the button until it returns to the not pressed position.

Materials

- Body: Cast iron
- Pin: Steel
- Seals: NBR
- Cover: Anodized aluminium
- Flange: Anodized aluminium
- Knob: Polyamide
- Ringnut: Polyamide
- Nut-screw: Galvanized steel, Phosphatized steel

Operating pressure

400 bar

Operating temperature

From -25 °C to + 100 °C

Weight

SVM version 3 1.547 kg
SVM version 6 1.507 kg



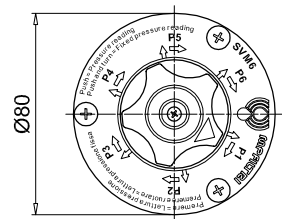
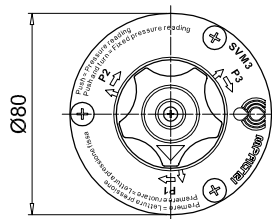
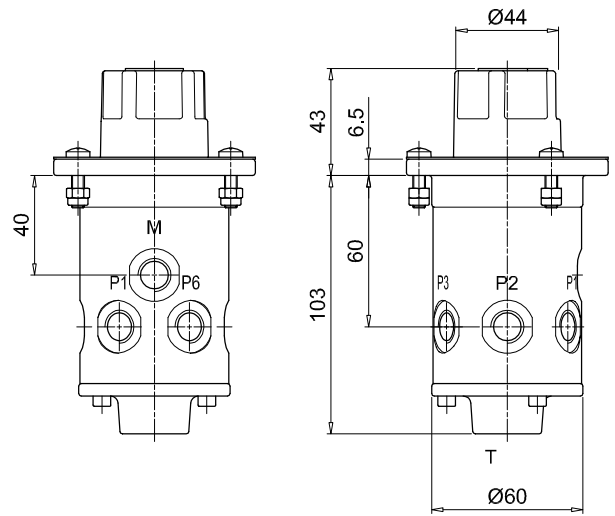
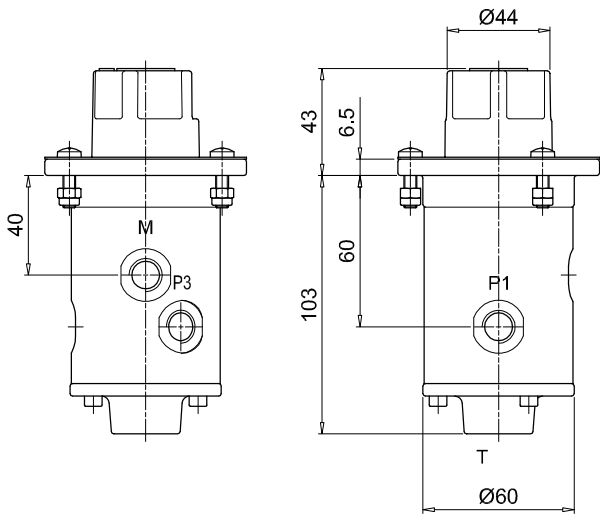
Designation & Ordering code

COMPLETE GAUGE ISOLATOR VALVE

Series	Configuration example :				
SVM	SVM	3	G1	A	P01
Version					
3 Nr. 3 pressure ports					
6 Nr. 6 pressure ports					
Connection					
G1 G 1/4"					
Seals					
A NBR					
Execution					
P01 MP Filtri standard					
Pxx Customized					

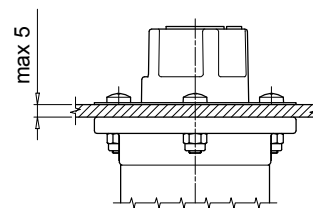
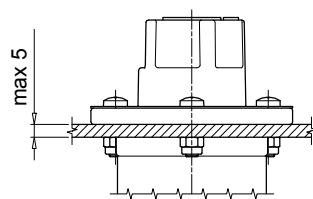
SVM
version 3

SVM
version 6

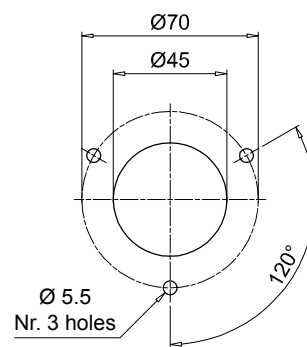
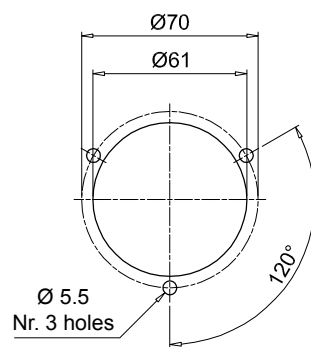


External mount

Internal mount



Holes on the panel



FTA -FTR series

Oil tank fixing flange



FTA - FTR GENERAL INFORMATION

Technical data

Accessories

Oil tank fixing flange

FT flanges make it possible to fix suction and return lines on the reservoir cover.

Fitting a flexible insert allows separation of pipes.

Both rigid pipes and flexible hoses can be separated from the reservoir walls, absorbing vibration and reducing plant noise emissions.

Operating temperature

From -25 °C to + 100 °C

Materials

- Flange: Galvanized steel
- Flange seal: Inorganic fibre
- Tube seal: NBR
- Screw: Galvanized steel

Weight FTA

FTA 1215	0.590 kg
FTA 1620	0.570 kg
FTA 2225	0.550 kg
FTA 2630	0.530 kg
FTA 3235	0.500 kg
FTA 3842	0.520 kg
FTA 4850	0.920 kg
FTA 6061	0.900 kg
FTA 7577	0.860 kg
FTA 8789	0.830 kg

Weight FTR

FTR 0610	0.450 kg
FTR 1215	0.430 kg
FTR 1620	0.400 kg
FTR 2225	0.100 kg
FTR 2630	0.103 kg
FTR 3235	0.980 kg
FTR 3842	0.950 kg
FTR 4850	0.900 kg
FTR 6061	0.850 kg

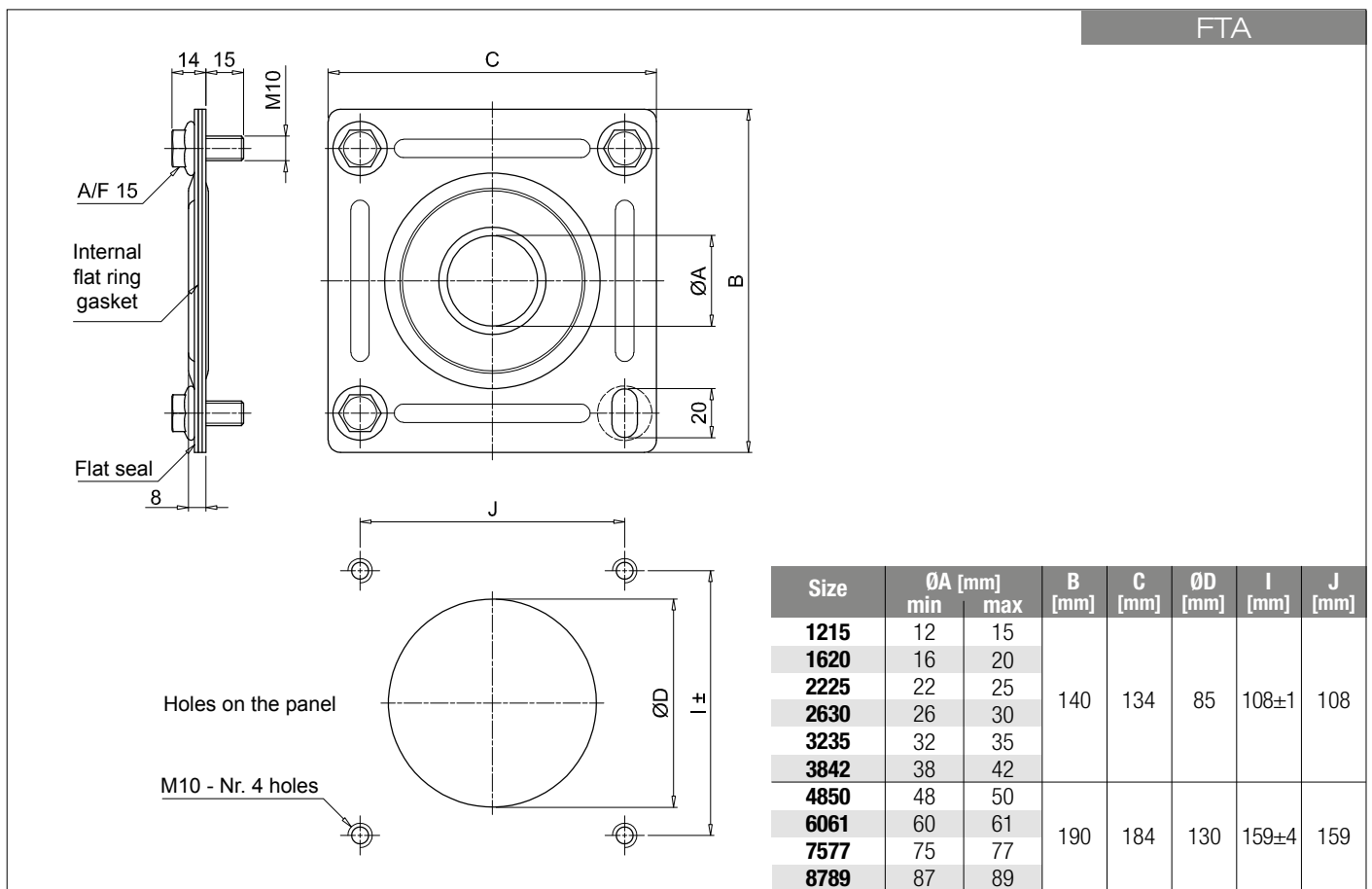


Designation & Ordering code

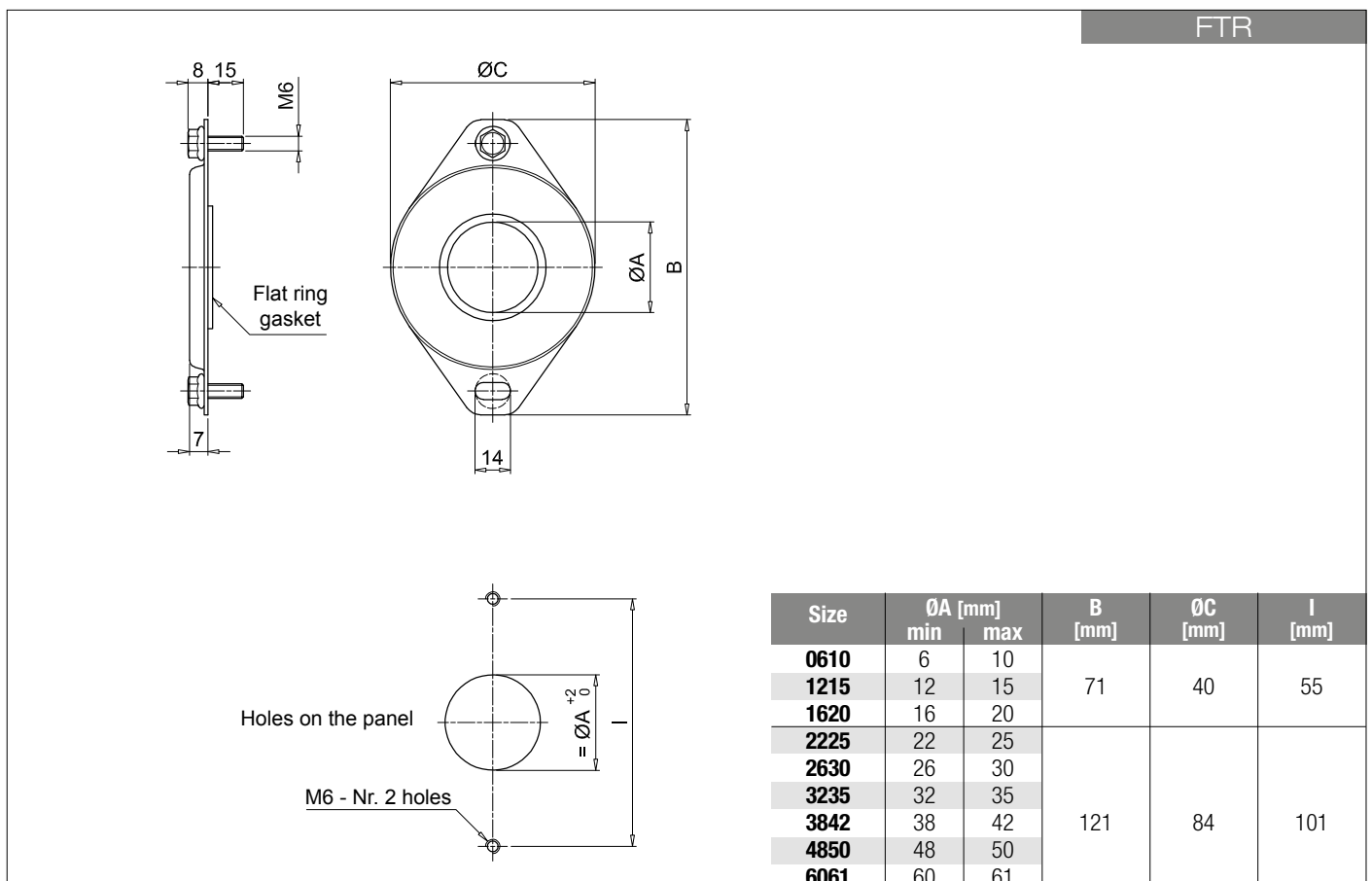
COMPLETE OIL TANK FIXING FLANGE

Series		Configuration example :				
FTA	FTR	FTA	2630	G	A	P01
Size	FTA	FTR				
0610 Pipe Ø06 ÷ 10 mm	-	•				
1215 Pipe Ø12 ÷ 15 mm	•	•				
1620 Pipe Ø16 ÷ 20 mm	•	•				
2225 Pipe Ø22 ÷ 25 mm	•	•				
2630 Pipe Ø26 ÷ 30 mm	•	•				
3235 Pipe Ø32 ÷ 35 mm	•	•				
3842 Pipe Ø38 ÷ 42 mm	•	•				
4850 Pipe Ø48 ÷ 50 mm	•	•				
6061 Pipe Ø60 ÷ 61 mm	•	•				
7577 Pipe Ø75 ÷ 77 mm	•	-				
8789 Pipe Ø87 ÷ 89 mm	•	-				
Flange seals	FTA	FTR				
G Inorganic fiber	•	-				
0 Without seal	-	•				
Pipe seals						
A NBR						
Execution						
P01 MP Filtri standard						
Pxx Customized						

FTA



FTR



MULTIFIX SFT series

Fixing clamps



Technical data

Accessories

Fixing clamps

MULTIFIX fixing clamps are particularly suitable when a series of pipelines must be installed requiring neat and high precision installation. These brackets make it possible to install various pipelines of different types and diameters, rapidly, easily, and, more importantly, economically.

MULTIFIX clamps support, guide, and absorb impact and vibration, protecting the pipes and dispensing with the need for complex and unsightly mounting systems with angle clamps etc.

An orderly layout facilitates maintenance resulting in significant savings in running costs; it also allows intuitive visual design of the plant, which can be assembled easily even without specialised labour.

Materials

- Pair of brackets: Galvanized steel
- Bush: NBR
- Spacer: Steel
- Studs: Steel
- Screws: Steel
- Foot and screw: Steel

Weight

SFT 38 1	0.050 kg
SFT 51 1	0.100 kg
SFT 78 1	0.570 kg

Operating temperature

From -25 °C to + 100 °C



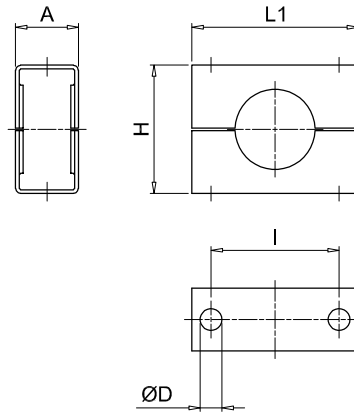
Designation & Ordering code

COMPLETE FIXING CLAMP

Serie	Configuration example :			
SFT	SFT	51	19	P01
Size				
38	Height 38 mm - 1 1/2"			
51	Height 51 mm - 2"			
78	Height 78 mm - 3"			
Number of pipe	38	51	78	
1	Single pipe	•	•	•
16	Nr. 16 pipes	-	-	•
19	Nr. 19 pipes	-	•	-
26	Nr. 26 pipes	•	-	-
Execution				
P01	MP Filtri standard			
Pxx	Customized			

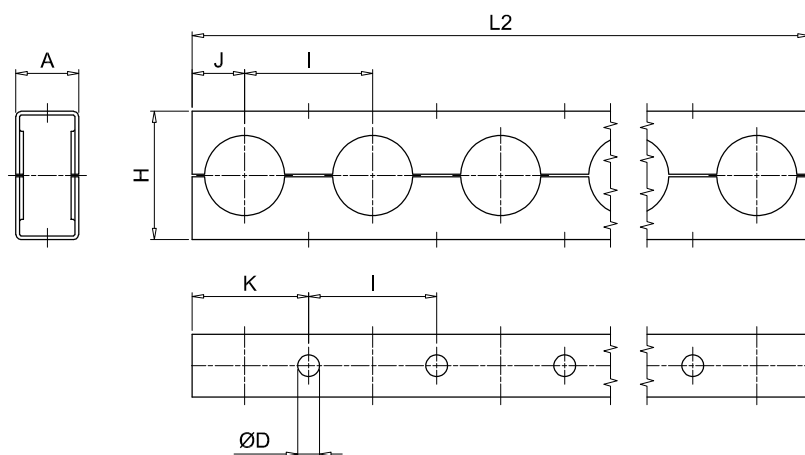
SFT

Single pipe



SFT

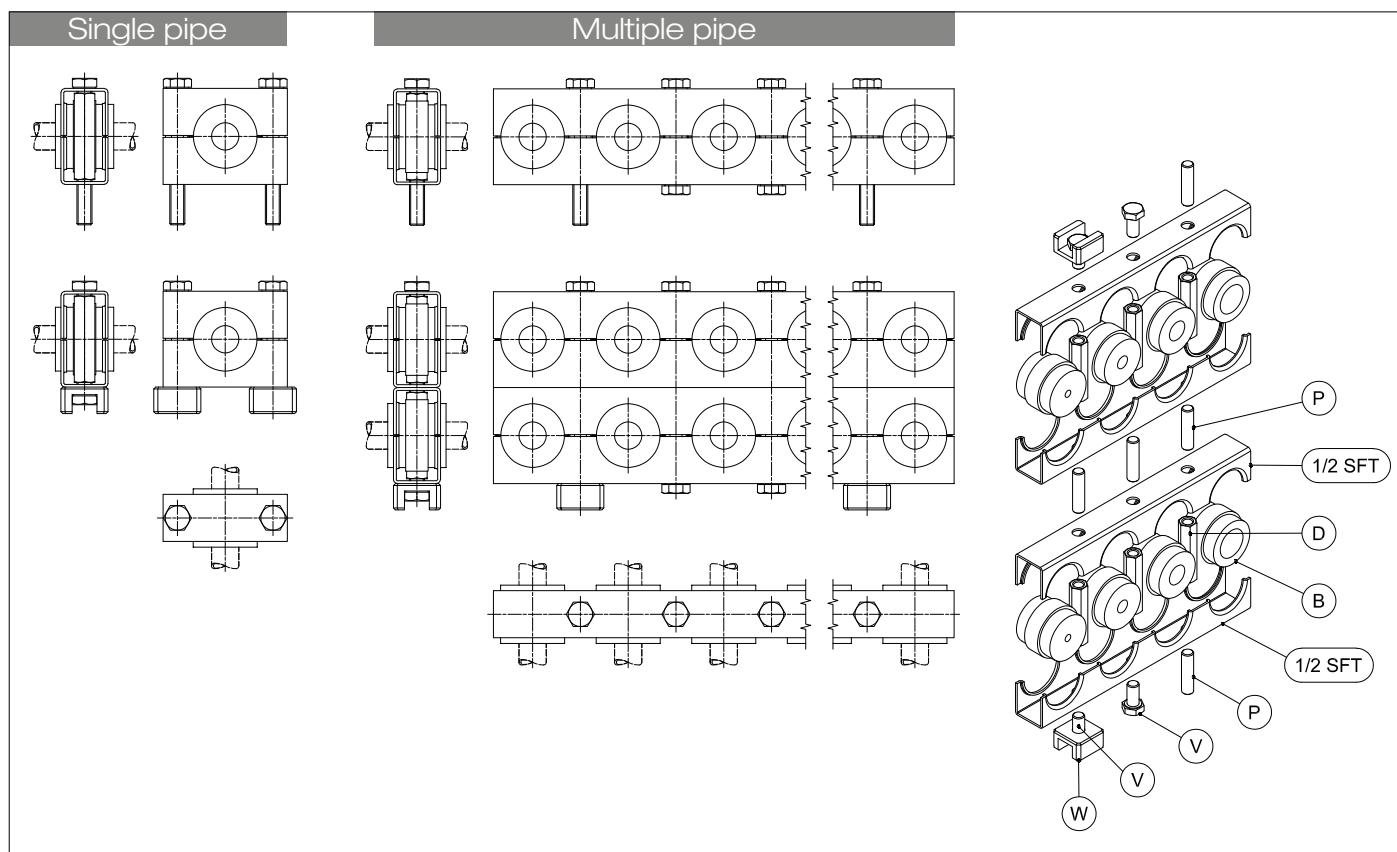
Multiple pipe



Size	A [mm]	ØD [mm]	H [mm]	I [mm]	J [mm]	K [mm]	L1 [mm]	L2 [mm]
38	25	8.7	38	38.1	15	34	56	982
51	25	8.7	51	50.8	21	46	66	956
78	41	11.1	78	76.2	35	73	95	1213

SFT MULTIFIX

Assembly



Designation & Ordering code

RUBBER BUSH

Configuration example: **B** | **51** | **1820**

Series

B Rubber bush

Size

38

51

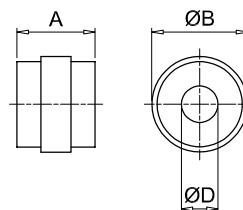
78

Pipe diameter

	38	51	78
6 Pipe Ø6 mm	•	•	
8 Pipe Ø8 mm	•	•	•
10 Pipe Ø10 mm - 1/8"	•	•	•
1214 Pipe Ø12 ÷ 14 mm - 1/4"	•	•	•
1516 Pipe Ø15 ÷ 16 mm - 3/8"	•	•	•
1820 Pipe Ø18 ÷ 20 mm - 1/2"	•	•	•
22 Pipe Ø22 mm - 5/8"		•	•
25 Pipe Ø25 mm - 3/4"		•	•
28 Pipe Ø28 mm		•	
2830 Pipe Ø28 ÷ 30 mm - 7/8"			•
33 Pipe Ø33 mm - 1"			•
3538 Pipe Ø35 ÷ 38 mm - 1 1/8"			•
42 Pipe Ø42 mm - 1 1/4"			•
50 Pipe Ø50 mm			•

B

Dimensions



Size	A [mm]	ØB [mm]
38	31	25
51	31	38
78	45	59

Pipe diameter	ØD [mm]	Ø nom. pipe [inch]
6	6	-
8	8	-
10	10	1/8"
1214	12÷14	1/4"
1516	15÷16	3/8"
1820	18÷20	1/2"
22	22	5/8"
25	25	3/4"
28	28	-
2830	28÷30	7/8"
33	33	1"
3538	35÷38	1 1/8"
42	42	1 1/4"
50	50	-

HEXAGON CONNECTION NUT D

Configuration example: **D** **51** **M**

Series

D Hexagon connection nut

Size

38

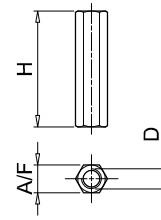
51

78

Screws

M Metric

U UNC



Size	Screws [mm]	D [mm]	H [mm]	A/F [mm]
38	M	M8	33	11
	U	5/16" UNC		
51	M	M8	46	11
	U	5/16" UNC		
78	M	M10	72	13
	U	3/8" UNC		

STUD BOLT P

Configuration example: **P** **3851** **M**

Series

P Stud bolt

Size

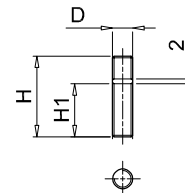
38 - 51

78

Screws

M Metric

U UNC



Size	Screws [mm]	D [mm]	H [mm]	H1 [mm]
38 - 51	M	M8	32	21
	U	5/16" UNC		
78	M	M10	38	22
	U	3/8" UNC		

HEXAGON HEAD SCREW V

Configuration example: **V** **3851** **M**

Series

V Hexagon head screw

Size

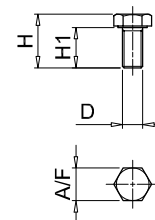
38 - 51

78

Screws

M Metric

U UNC



Size	Screws [mm]	D [mm]	H [mm]	H1 [mm]	A/F [mm]
38 - 51	M	M8	21	16	13
	U	5/16" UNC			
78	M	M10	36	30	17
	U	3/8" UNC			

WELDING FOOT W

Configuration example: **W** **3851**

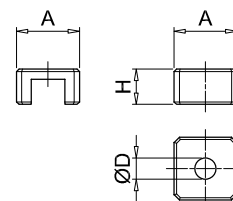
Series

W Welding foot

Size

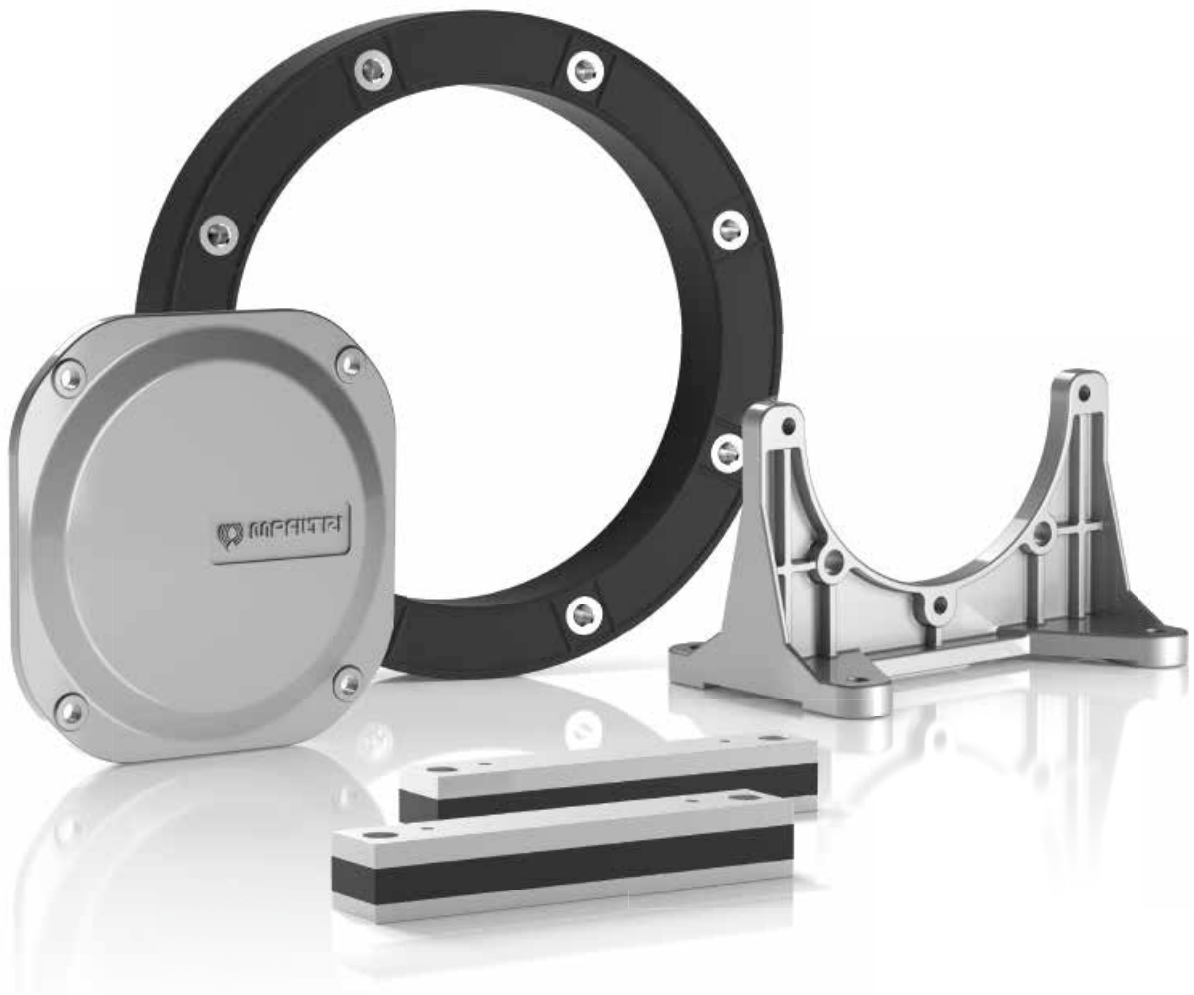
38 - 51

78



Size	H [mm]	ØD [mm]	H [mm]
38 - 51	25	8.5	14
78	32	11	16

Accessories



ANM A	Damping rings	page 124
PDM A	Foot brackets	126
MPDR PDMA - MPDR	Damping rods	127
OB	Cleaning covers	128
SE10	Aluminium tanks	133

Technical data

Positioned between the bell-housing motor flange and lid of the tank, they help to reduce the transmission of the vibrations and emission of noise generated by the system.

Damping rings provide a perfect hydraulic sealing actions by virtue of their special profile; damping rings are available for IEC electric motors from size 80 to size 315.

Compatibility with fluids

- Mineral oils types HH-HL-HM-HR-HV, to ISO 6743/4 standard
- Water based emulsions types HFAE-HFAS, to ISO 6743/4 standard

Materials

Internal ring: pressure die-cast aluminium alloy
External body: NBR 75 Shore A

Temperature

From -30 °C to +80 °C

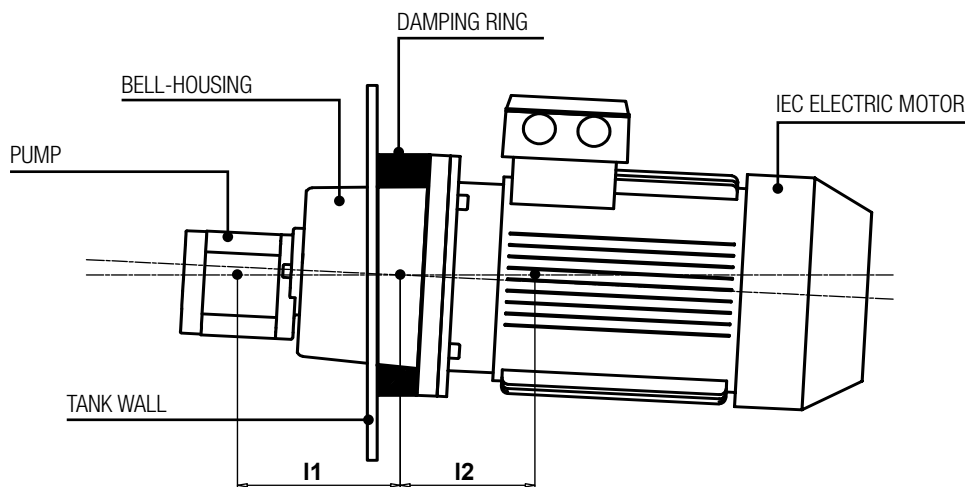
Special Applications

Any applications not covered by the normal indications contained in this catalogue must be evaluated and approved by MP Filtri Technical and Sales Department

Example of assembly

In order to warranty the application, to proceed with the calculation of the max weight and moment with the following formulas.

Values higher than those in the table could damage the product and couldn't warranty the conformity of the application!



$$F_{perm} \geq F_p + F_m$$

$$M_b perm \geq F_m \times l_1 - F_p \times l_2$$

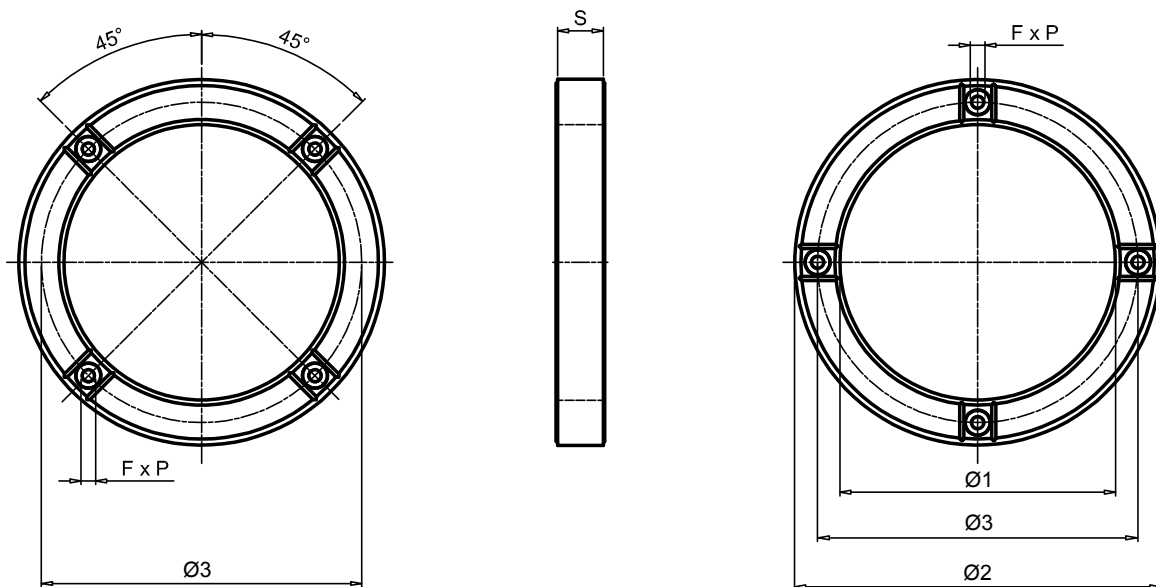
Permissible radial weight and bending load for damping rings

Code	F perm [N]	Mb perm [N·m]
ANM A 200	370	30
ANM A 250	720	65
ANM A 300	1450	175
ANM A 350	3600	740
ANM A 400	4800	1100
ANM A 450	6600	1600
ANM A 550	13000	4400
ANM A 660	24000	9000

Legend of symbol

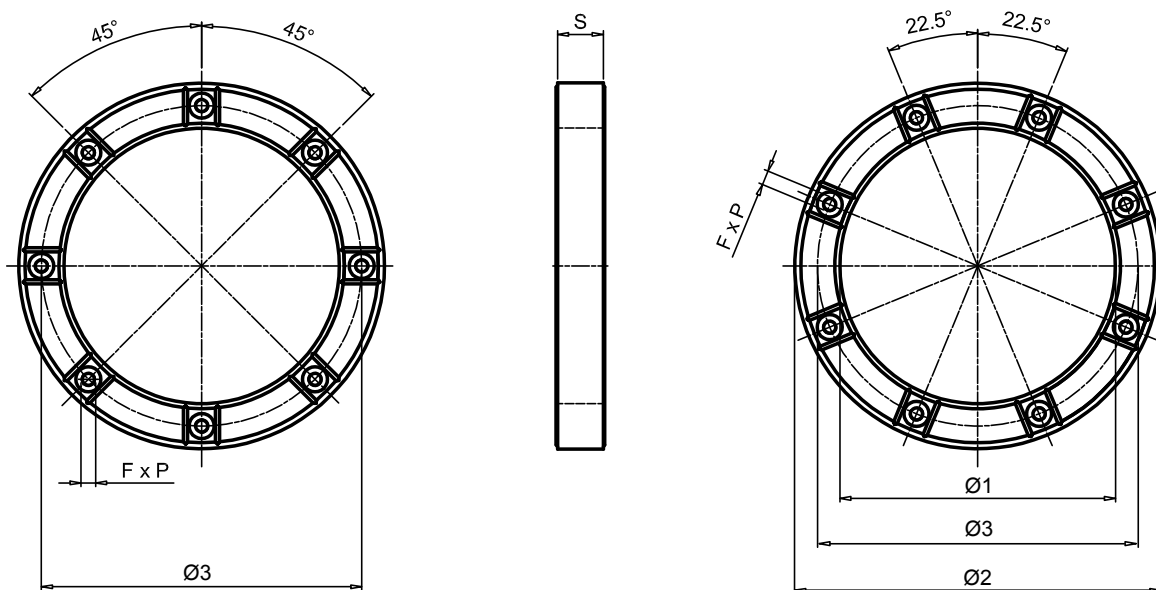
- F perm** = ammissible load (N)
- Fp** = pumps weight (N)
- Fm** = motor weight (N)
- Mb perm** = bending load (N·m)

ANM A 200 ÷ 400



Code	IEC - Electric motors	Dimensions [mm]					Nr. F	Screw tightening torque [N·m]	Weight [kg]
		Ø1	Ø2	Ø3	S	F x P			
ANM A 200	80, 90S / 90L	144	200	165	40	M10x16	4+4	23	1.70
ANM A 250	100L / 112M	191	250	215	45	M12x16		40	2.53
ANM A 300	132S / 132M	238	300	265	50	M12x16		40	2.15
ANM A 350	160L/160M, 180L/180M	260	350	300	58	M16x20		100	3.95
ANM A 400	200L	301	400	350	50	M16x25		100	4.60

ANM A 450 ÷ 660



Code	IEC - Electric motors	Dimensions [mm]					Nr. F	Screw tightening torque [N·m]	Weight [kg]
		Ø1	Ø2	Ø3	S	F x P			
ANM A 450	225S / 225M	352	450	400	60	M16x25	8+8	100	6.20
ANM A 550	250M, 280M / 280S	452	550	500	60	M16x25		210	7.76
ANM A 660	315M / 315S	552	660	600	67	M20x25		410	11.25

Technical data

The foot brackets are proportioned to support IEC Electric motors with B5 flange without feet.

The range is available from size 71 to size 180.

Compatibility with fluids

- Mineral oils types HH-HL-HM-HR-HV, to ISO 6743/4 standard
- Water based emulsions types HFAE-HFAS, to ISO 6743/4 standard
- Water glycol type HFC, to ISO 6743/4 standard: ask for anodized version

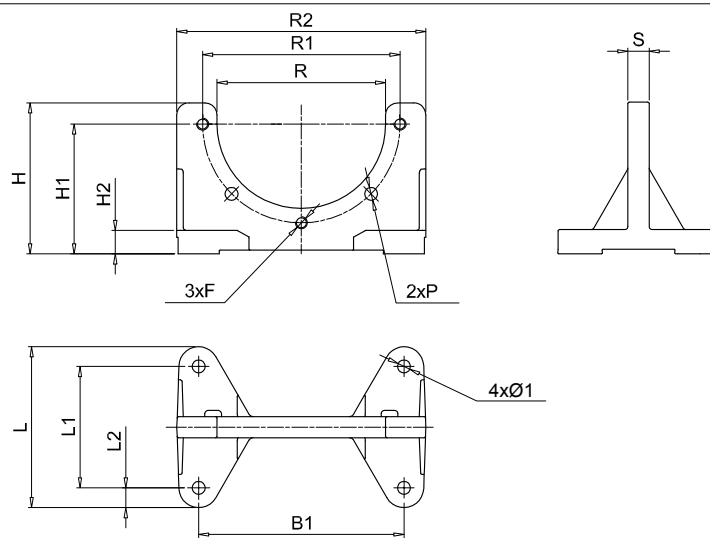
Materials

Foot bracket: pressure die-cast aluminium alloy

Temperature

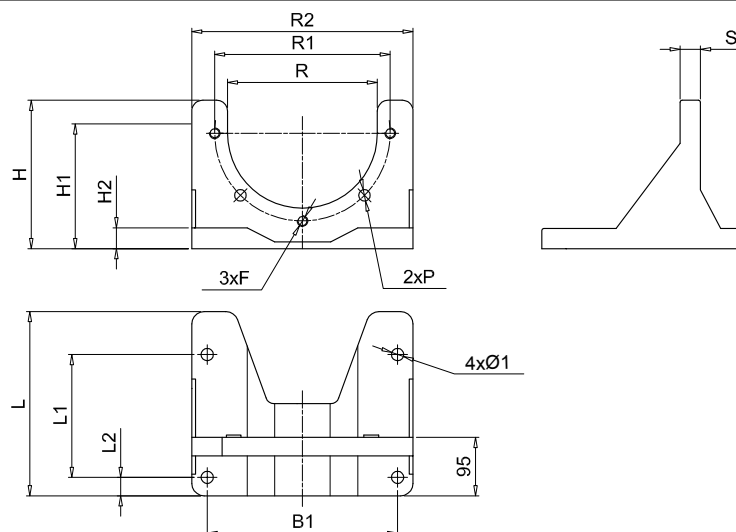
From -30 °C to +80 °C

Dimensions



Dimensions [mm]

Foot bracket	B	B1	R2	L	L1	L2	H	H1	H2	R	R1	S	P	Ø1	F	Weight [kg]
PDM A 160	160	135	180	106	80	13	100	86	16	111	130	14	8.5	8.5	M8	0.45
PDM A 200	200	175	207	128	98	21	128	115	14	146	165	14	11.0	11.5	M10	0.60
PDM A 250	250	220	262	172	130	21	157	145	18	191	215	16	13.0	13.5	M12	1.20
PDM A 300	300	270	320	210	160	25	188	170	18	235	265	20	13.0	13.5	M12	1.80



Dimensions [mm]

Foot bracket	B	B1	R2	L	L1	L2	H	H1	H2	R	R1	S	P	Ø1	F	Weight [kg]
PDM A 350	350	310	360	300	200	30	220	200	30	261	300	30	18	13	M16	4.80

Damping rods are element to reduce the transmission of the vibrations and emission of noise generated of the system.

Damping rods are available for IEC Electric motors from size 71 to size 315L and for MP FILTRI foot bracket

Compatibility with fluids

- Mineral oils types HH-HL-HM-HR-HV, to ISO 6743/4 standard
- Water based emulsions types HFAE-HFAS, to ISO 6743/4 standard

Materials

Plate: steel black colour
Damping element: NBR 60 Shore A

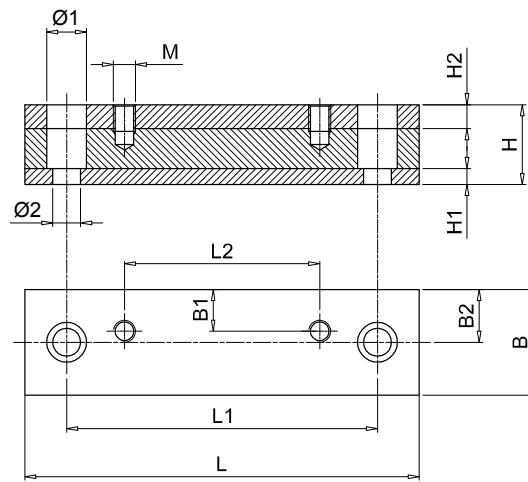
Temperature

From -20 °C to +80 °C

Special Applications

Any applications not covered by the normal indications contained in this catalogue must be evaluated and approved by the MP Filtri Technical and Sales Department

Dimensions



Damping rods for foot brackets PDMA series.

For foot brackets see page 116

Code	Dimensions [mm]											Weight [kg]	
	L	L1	L2	B	B1	B2	H	H1	H2	Ø1	Ø2		M
MPDR PDMA160P	196	156	80	50	21	25	40	8	12	20	14	M8	1.5
MPDR PDMA200P	196	156	98	50	21	25	40	8	12	20	14	M10	1.5
MPDR PDMA250P	240	205	130	50	24	25	40	8	12	20	14	M12	2.0
MPDR PDMA300P	280	245	160	50	20	25	45	8	12	20	14	M12	2.5
MPDR PDMA350P	446	400	200	70	35	35	60	15	15	26	18	M12	8.0

Damping rods for electrical motors UNEL-MEC

Code	Dimensions [mm]											Weight [kg]	
	L	L1	L2	B	B1	B2	H	H1	H2	Ø1	Ø2		M
MPDR 71P	196	156	90	50	21	25	40	8	12	20	14	M6	1.5
MPDR 80P	176	146	100	50	22	25	40	8	12	20	14	M8	1.7
MPDR 90SP	196	156	100	50	24.5	25	40	8	12	20	14	M8	1.7
MPDR 90LP	240	205	125	50	24	25	40	8	12	20	14	M8	2.0
MPDR 100LP	240	205	140	50	22	25	40	8	12	20	14	M10	2.0
MPDR 132SP	280	245	140	50	20	25	45	8	12	20	14	M10	2.5
MPDR 132MP	280	245	178	50	20	25	45	8	12	20	14	M10	2.5
MPDR 160MP	340	300	210	70	28	35	60	15	15	26	18	M12	6.0
MPDR 160LP	416	370	254	70	28	35	60	15	15	26	18	M12	7.5
MPDR 180MP	416	370	241	70	35	35	60	15	15	26	18	M12	7.5
MPDR 180LP	446	400	279	70	35	35	60	15	15	26	18	M12	8.0
MPDR 200LP	492	430	305	70	35	35	60	15	15	33	22	M16	8.9
MPDR 225SP	492	430	286	70	35	35	60	15	15	33	22	M16	8.9
MPDR 225MP	492	445	311	70	35	35	60	15	15	33	22	M16	8.9
MPDR 250MP	492	445	349	100	50	50	60	15	15	33	22	M20	12.5
MPDR 280SP	614	570	368	100	50	50	60	15	15	33	22	M20	15.1
MPDR 280MP	614	570	419	100	50	50	60	15	15	33	22	M20	15.1
MPDR 315SP	614	570	406	120	60	60	60	15	15	33	22	M24	26.5
MPDR 315MP	614	570	457	120	60	60	60	15	15	33	22	M24	26.5
MPDR 315LP	704	660	508	120	60	60	60	15	15	33	22	M24	29.2

Technical data

These pressure die-cast aluminium alloy doors offer superior mechanical strength and are manufactured to DIN 24339 standard. They provide easy access to the inside of the oil tank for inspection and cleaning purposes.

On request and for small quantities, to be agreed with MP Filtri Technical and Sales Department, inspection doors can be supplied with:

- Customer logo.
- Hole cut for visual level indicator.
- Hole cut for visual and electrical level indicator.
- Oil sample plug

Compatibility with fluids

- Mineral oils types HH-HL-HM-HR-HV, to ISO 6743/4 standard
- Water based emulsions types HFAE-HFAS, to ISO 6743/4 standard
- Water glycol type HFC, to ISO 6743/4 standard: ask for anodized version

Materials

Cleaning covers: pressure die-cast aluminium alloy

Seal: NBR 70 Shore A

Temperature

From -30 °C to +80 °C

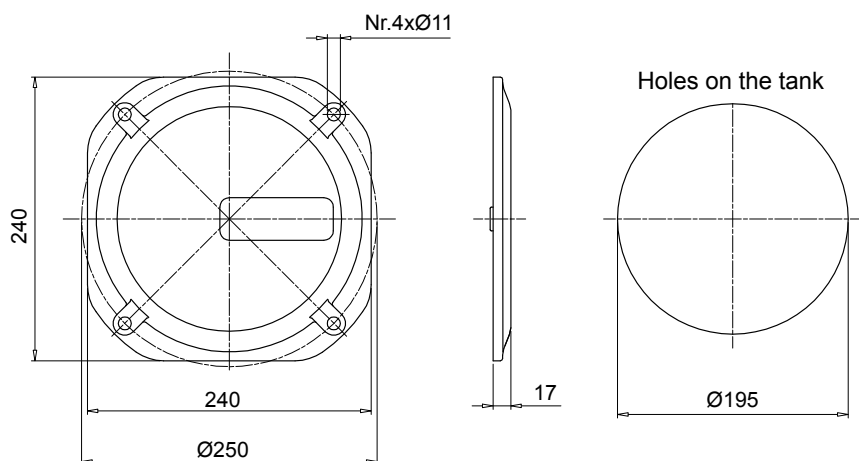
Special Applications

Any applications not covered by the normal indications contained in this catalogue must be evaluated and approved by MP Filtri Technical and Sales Department

Dimensions

Cleaning cover according to DIN 24339

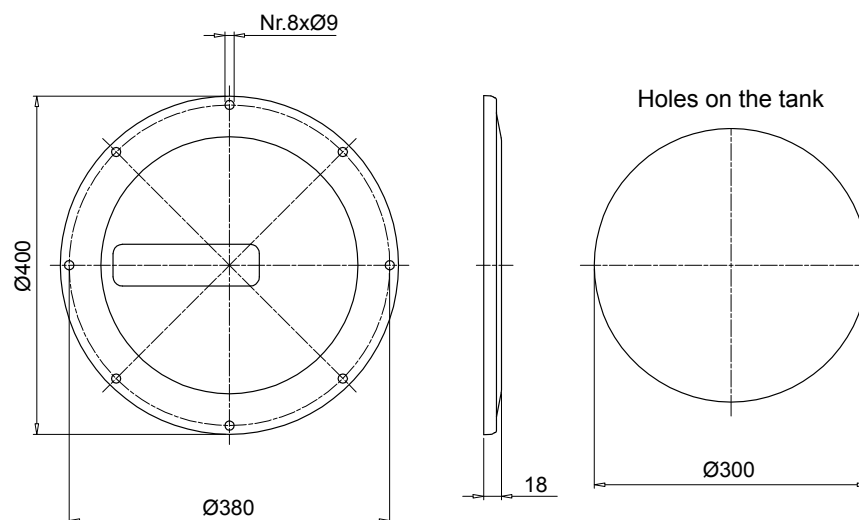
OB275



Code	Description	Seal	Weight [kg]
OB275P01GN	Door with MP Logo	NBR	2.06
OB275P02GN	Blank cover	NBR	2.06
OB275P01GV	Door with MP Logo	FPM	2.06
OB275P02GV	Blank cover	FPM	2.06

Code	Description	Weight [kg]
OB275P01	Door with MP Logo	1.76
OB275P02	Blank cover	1.76
GU0275NBR	Seal	1.76
GU0275VTN	Seal	1.76

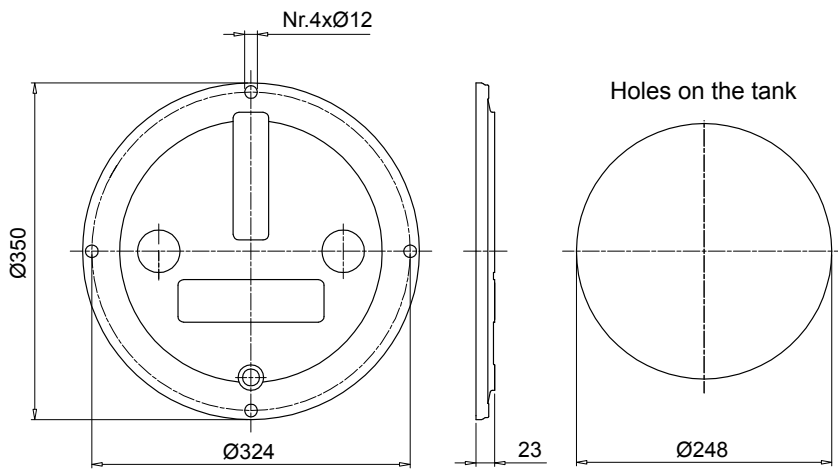
OB400



Code	Description	Seal	Weight [kg]
OB400P01GN	Door with MP Logo	NBR	3.20
OB400P02GN	Blank cover	NBR	3.20
OB400P01GV	Door with MP Logo	FPM	3.20
OB400P02GV	Blank cover	FPM	3.20

Code	Description	Weight [kg]
OB400P01	Door with MP Logo	2.90
OB400P02	Blank cover	2.90
GU0400NBR	Seal	2.90
GU0400VTN	Seal	2.90

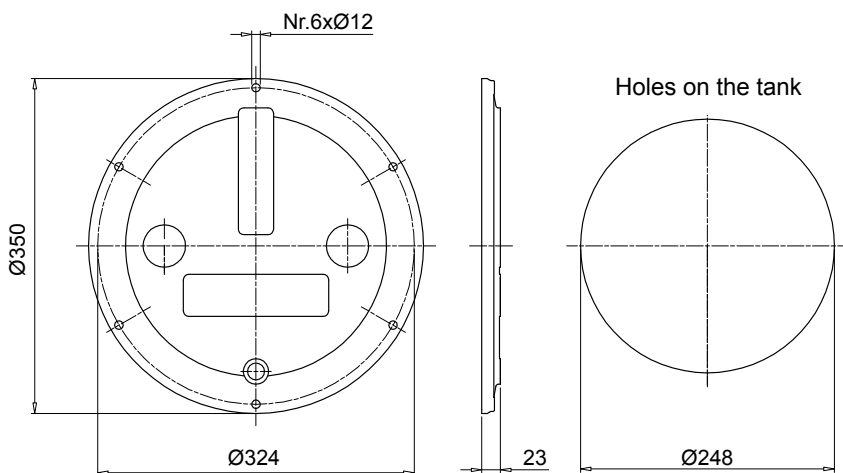
OB350



Code	Description	Seal	Weight [kg]
OB350P01GN	Door with MP Logo	NBR	2.10
OB350P02GN	Blank cover	NBR	2.10
OB350P01GV	Door with MP Logo	FPM	2.10
OB350P02GV	Blank cover	FPM	2.10

Code	Description	Weight [kg]
OB350DIN000	Door	1.80
GU0350DINNBR	Seal	1.80
GU0350DINVTN	Seal	1.80

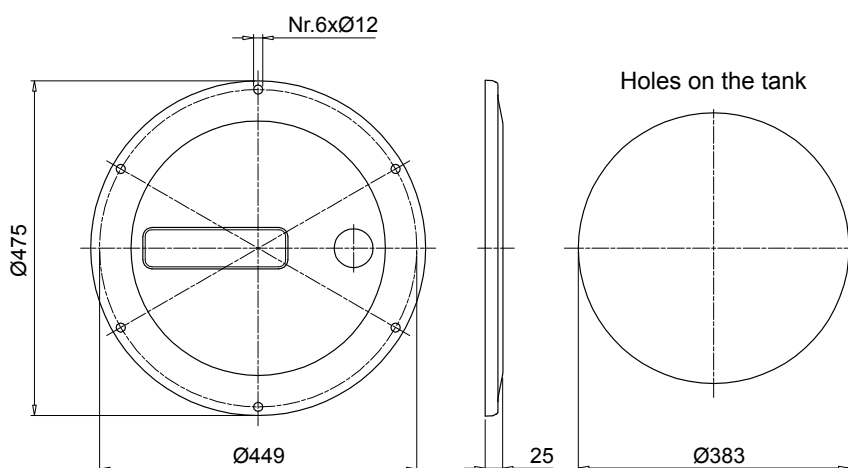
OB356



Code	Description	Seal	Weight [kg]
OB356P01GN	Door with MP Logo	NBR	2.10
OB356P02GN	Blank cover	NBR	2.10
OB356P01GV	Door with MP Logo	FPM	2.10
OB356P02GV	Blank cover	FPM	2.10

Code	Description	Weight [kg]
OB356DIN000	Door	1.80
GU0350DINNBR	Seal	1.80
GU0350DINVTN	Seal	1.80

OB475



Code	Description	Seal	Weight [kg]
OB475P01GN	Door with MP Logo	NBR	3.70
OB475P02GN	Blank cover	NBR	3.70
OB475P01GV	Door with MP Logo	FPM	3.70
OB475P02GV	Blank cover	FPM	3.70

Code	Description	Weight [kg]
OB475P01	Door with MP Logo	3.40
OB475P02	Blank cover	3.40
GU0475DINNBR	Seal	3.40
GU0475DINVTN	Seal	3.40

Oil level indicator **LVA** series - vertical shape

Technical data

Materials

Transparent amorphous polyamide lens
Polyamide guard
Seals: NBR - FPM

Operating pressure

Max 1 bar at +80°C

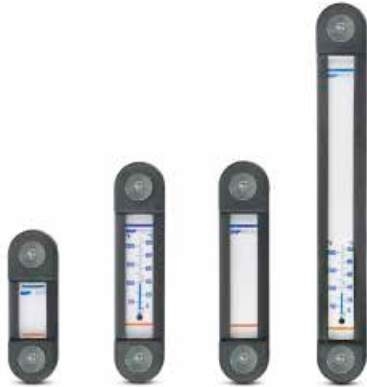
Operating temperature

From -25 °C to +80 °C

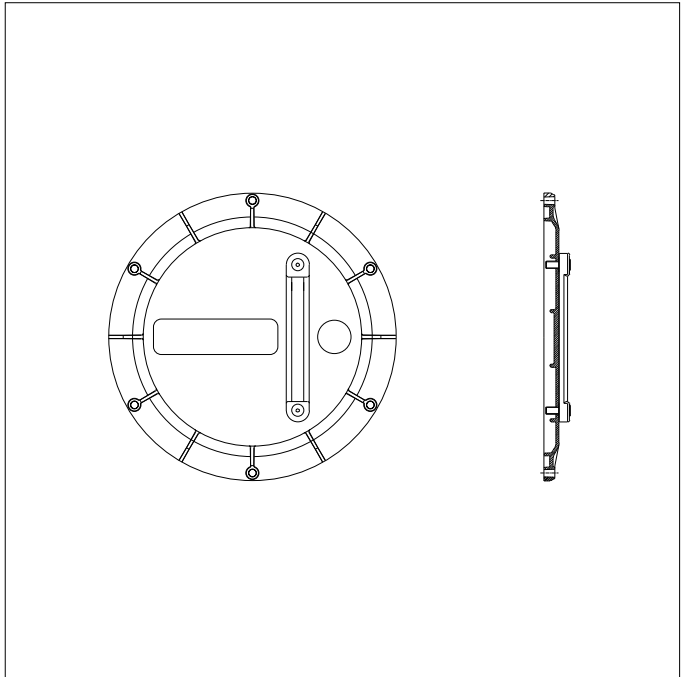
Tightening torque

10 N·m max.

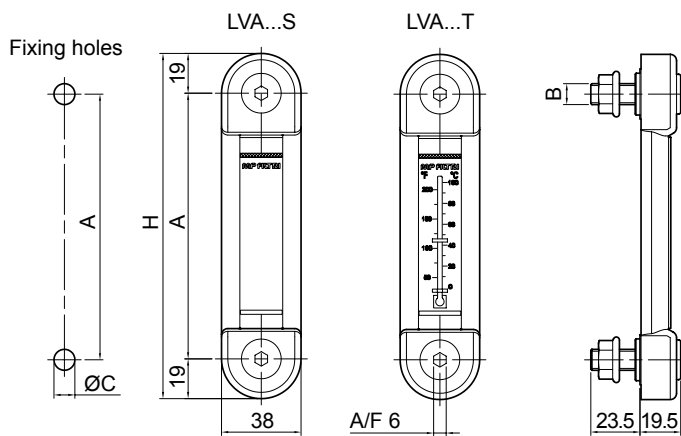
Mineral oils
Synthetic oils
Water base emulsions
Phosphoric esters



Installation



Dimensions



Size	A [mm]	H [mm]
LVA 10	76	114
LVA 20	127	165
LVA 30	254	292

Type	B [mm]	ØC [mm]
LVA...M10	M10	10.5
LVA...M12	M12	12.5
LVA...U38	3/8" UNC	10.0
LVA...U12	1/2" UNC	13.5

Packaging

Type	Nr. pieces per pack
LVA	10

Preparing for to fit the level on request

Indicator code	OB275**	OB350**	OB356**	OB400**	OB475**
LVA 10**	•	•	•	•	•
LVA 20**		•	•	•	•
LVA 30**				•	•

Electrical oil level indicators **LEG** series

Technical data

LEG series electrical oil level indicators are supplied with a 3-hole fixing flange and a reed switch having NC-NO contacts.

Designed typically for installation on the vertical walls of oil tanks, these instruments can also be mounted to inspection doors of the OB475 series as indicators of minimum and maximum oil levels in the tank.

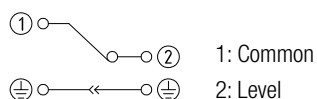
Warning

To operate correctly, the float must be positioned vertically and at a minimum distance of 35 mm from walls made of ferrous metal.

To change the contact from NC to NO, simply turn the float upside down.

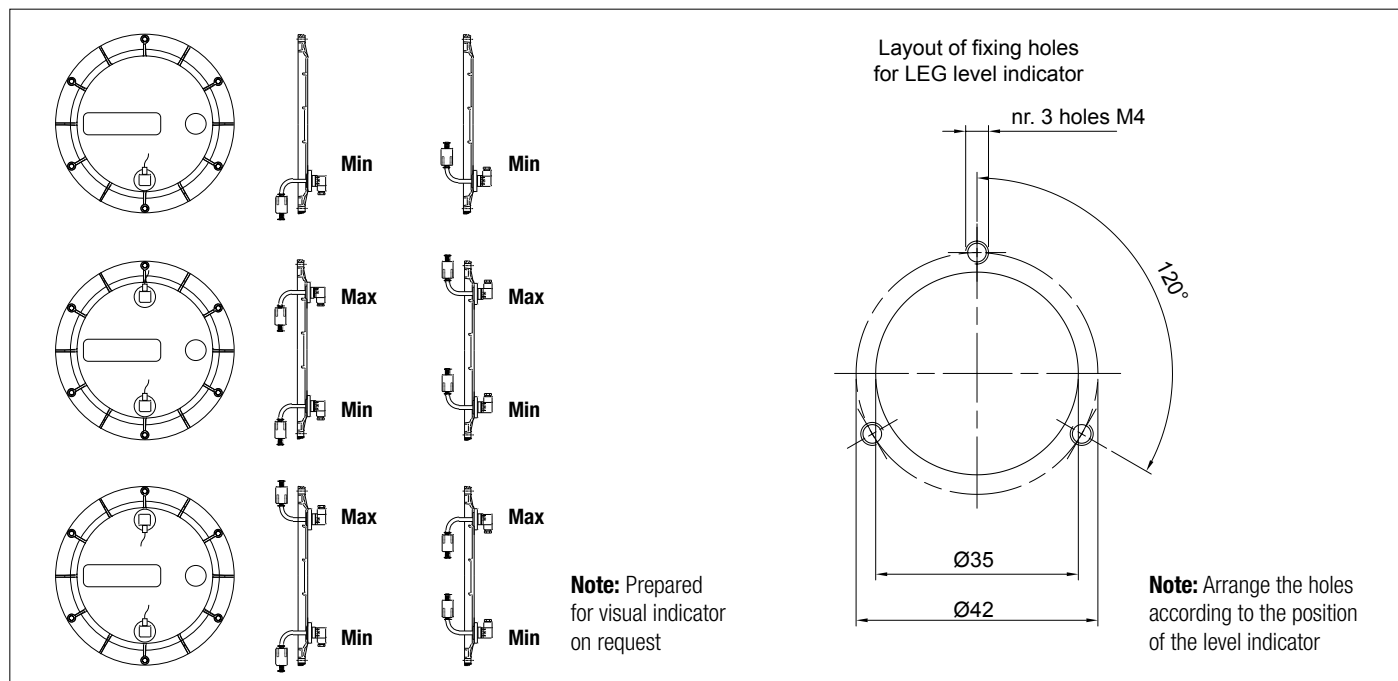
The electrical properties indicated are referred to resistive loads; for capacitive and inductive loads and incandescent lamps, use protection circuits.

Electrical symbol:

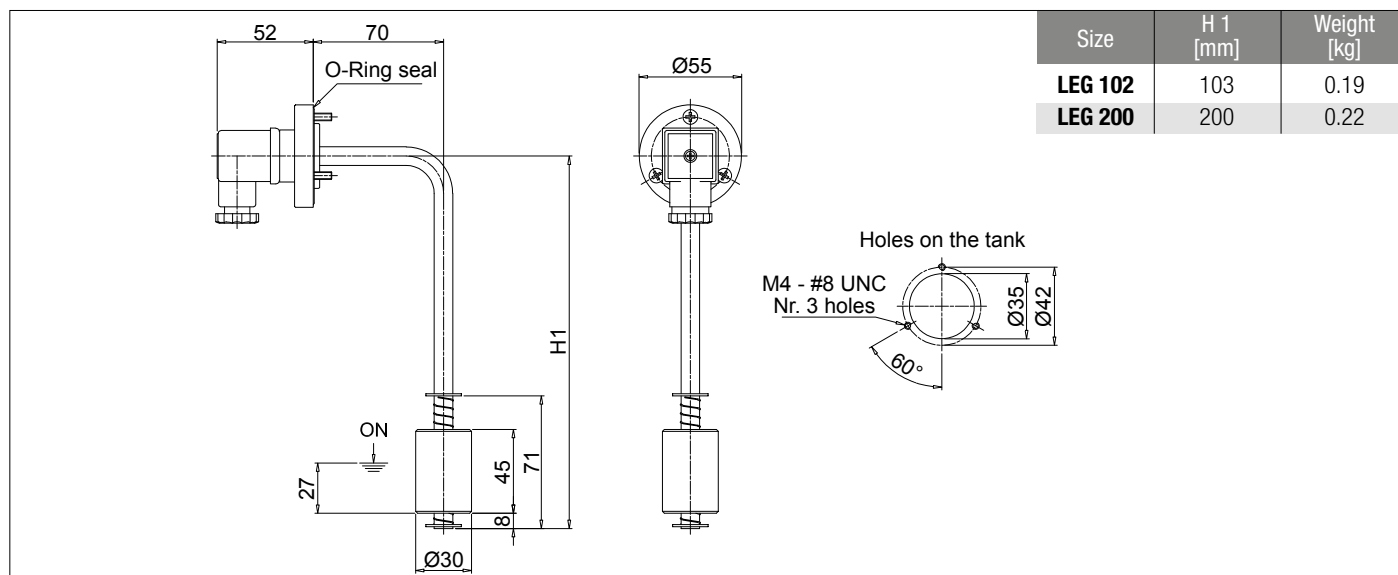


Note: to invert the contact status from NC to NO and vice versa, simply invert the float.

Installation

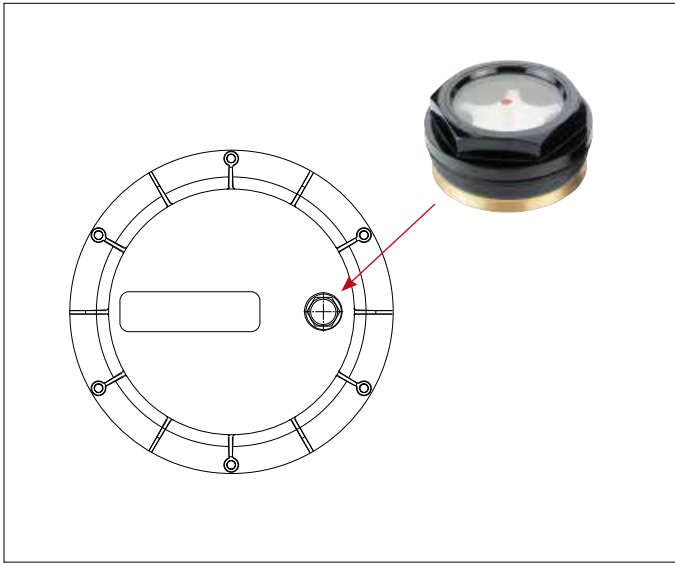


Dimensions

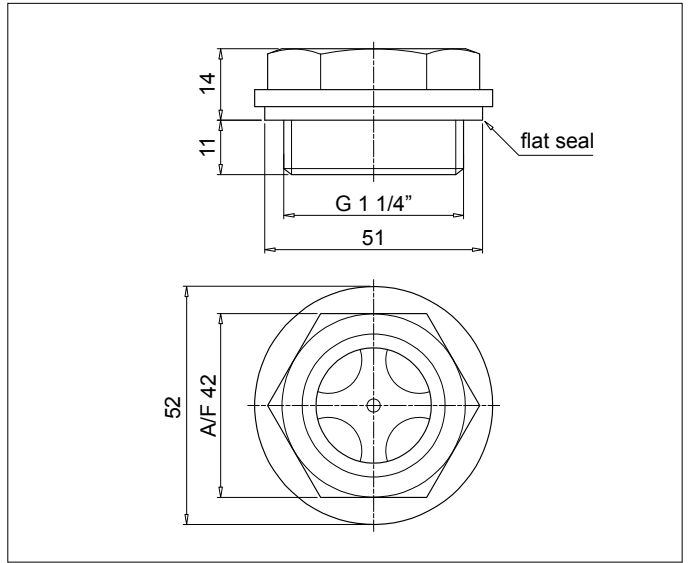


Visual level indicators code **LCPG42N...S**

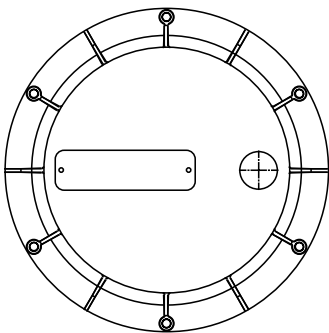
Installation



Dimensions



Available customization



Nameplate with customer logo
Ordering information: **OB475LOGOP05**

The nameplates applied to the new inspection door are identical to those applied to the old door. The difference with the new door is that nameplates are fixed with rivets.

For ordering information codes, minimum order quantities, fixing hole positions and other details not indicated in this publication, contact MP Filtri Technical and Sales Department.

Technical data

Made of pressure die-cast aluminium alloy, these tanks feature superior strength and optimum design and are ideal for compact hydraulic power units.

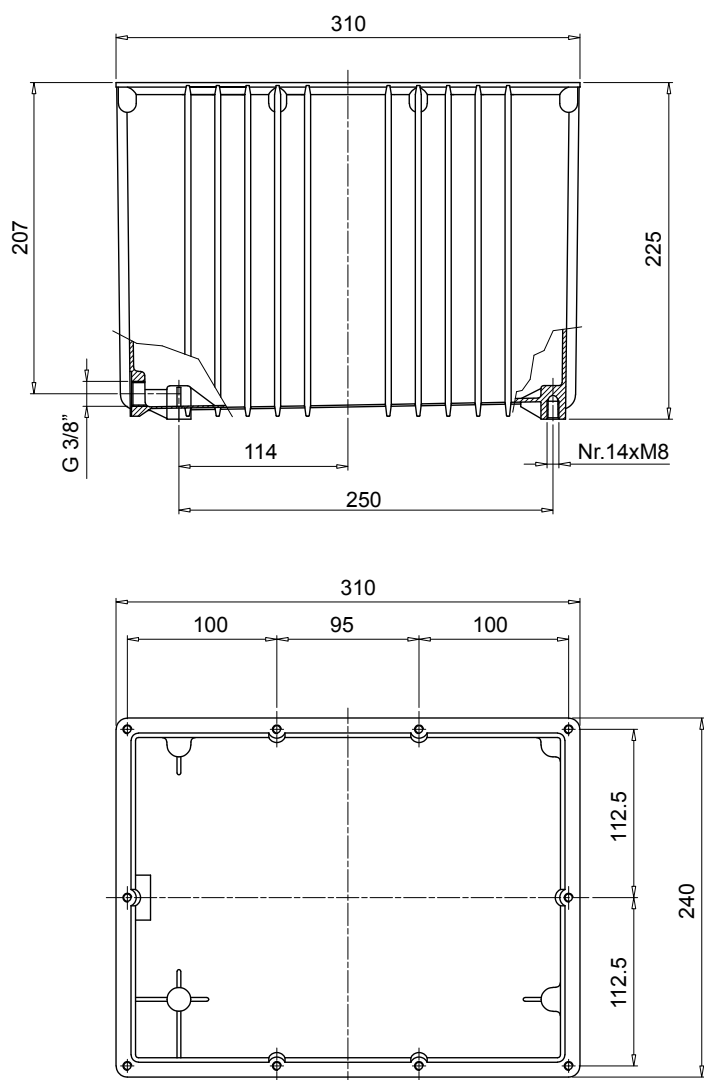
Generously proportioned fins ensure efficient cooling.

The tank is supplied with:

- M6 threaded fixing holes for lid
- feet with M8 threaded fixing holes
- G 3/8" threaded drain hole

The lid is sealed by a gasket made of special paper, which must be ordered separately indicating code "GUS 10.0".

Dimensions



Code	Weight [kg]
SE10LT	4.0



Алматы (727)345-47-04
Ангарск (3955)60-70-56
Архангельск (8182)63-90-72
Астрахань (8512)99-46-04
Барнаул (3852)73-04-60
Белгород (4722)40-23-64
Благовещенск (4162)22-76-07
Брянск (4832)59-03-52
Владивосток (423)249-28-31
Владикавказ (8672)28-90-48
Владимир (4922)49-43-18
Волгоград (844)278-03-48
Вологда (8172)26-41-59
Воронеж (473)204-51-73
Екатеринбург (343)384-55-89

Иваново (4932)77-34-06
Ижевск (3412)26-03-58
Иркутск (395)279-98-46
Казань (843)206-01-48
Калининград (4012)72-03-81
Калуга (4842)92-23-67
Кемерово (3842)65-04-62
Киров (8332)68-02-04
Коломна (4966)23-41-49
Кострома (4942)77-07-48
Краснодар (861)203-40-90
Красноярск (391)204-63-61
Курск (4712)77-13-04
Курган (3522)50-90-47
Липецк (4742)52-20-81

Магнитогорск (3519)55-03-13
Москва (495)268-04-70
Мурманск (8152)59-64-93
Набережные Челны (8552)20-53-41
Нижний Новгород (831)429-08-12
Новокузнецк (3843)20-46-81
Ноябрьск (3496)41-32-12
Новосибирск (383)227-86-73
Омск (3812)21-46-40
Орел (4862)44-53-42
Оренбург (3532)37-68-04
Пенза (8412)22-31-16
Петрозаводск (8142)55-98-37
Псков (8112)59-10-37
Пермь (342)205-81-47

Ростов-на-Дону (863)308-18-15
Рязань (4912)46-61-64
Самара (846)206-03-16
Санкт-Петербург (812)309-46-40
Саранск (8342)22-96-24
Саратов (845)249-38-78
Севастополь (8692)22-31-93
Симферополь (3652)67-13-56
Смоленск (4812)29-41-54
Орел (862)225-72-31
Ставрополь (8652)20-65-13
Сургут (3462)77-98-35
Сыктывкар (8212)25-95-17
Тамбов (4752)50-40-97
Тверь (4822)63-31-35

Тольятти (8482)63-91-07
Томск (3822)98-41-53
Тула (4872)33-79-87
Тюмень (3452)66-21-18
Улан-Удэ (3012)59-97-51
Ульяновск (8422)24-23-59
Уфа (347)229-48-12
Хабаровск (4212)92-98-04
Чебоксары (8352)28-53-07
Челябинск (351)202-03-61
Череповец (8202)49-02-64
Чита (3022)38-34-83
Якутск (4112)23-90-97
Ярославль (4852)69-52-93

Россия +7(495)268-04-70

Казахстан +7(727)345-47-04

Беларусь +(375)257-127-884

Узбекистан +998(71)205-18-59

Киргизия +996(312)96-26-47