

# Аксессуары для силовой передачи

## Технические характеристики

По вопросам продаж и поддержки обращайтесь:

Алматы (727)345-47-04  
Ангарск (3955)60-70-56  
Архангельск (8182)63-90-72  
Астрахань (8512)99-46-04  
Барнаул (3852)73-04-60  
Белгород (4722)40-23-64  
Благовещенск (4162)22-76-07  
Брянск (4832)59-03-52  
Владивосток (423)249-28-31  
Владикавказ (8672)28-90-48  
Владимир (4922)49-43-18  
Волгоград (844)278-03-48  
Вологда (8172)26-41-59  
Воронеж (473)204-51-73  
Екатеринбург (343)384-55-89

Иваново (4932)77-34-06  
Ижевск (3412)26-03-58  
Иркутск (395)279-98-46  
Казань (843)206-01-48  
Калининград (4012)72-03-81  
Калуга (4842)92-23-67  
Кемерово (3842)65-04-62  
Киров (8332)68-02-04  
Коломна (4966)23-41-49  
Кострома (4942)77-07-48  
Краснодар (861)203-40-90  
Красноярск (391)204-63-61  
Курск (4712)77-13-04  
Курган (3522)50-90-47  
Липецк (4742)52-20-81

Магнитогорск (3519)55-03-13  
Москва (495)268-04-70  
Мурманск (8152)59-64-93  
Набережные Челны (8552)20-53-41  
Нижний Новгород (831)429-08-12  
Новокузнецк (3843)20-46-81  
Ноябрьск (3496)41-32-12  
Новосибирск (383)227-86-73  
Омск (3812)21-46-40  
Орел (4862)44-53-42  
Оренбург (3532)37-68-04  
Пенза (8412)22-31-16  
Петрозаводск (8142)55-98-37  
Псков (8112)59-10-37  
Пермь (342)205-81-47

Ростов-на-Дону (863)308-18-15  
Рязань (4912)46-61-64  
Самара (846)206-03-16  
Санкт-Петербург (812)309-46-40  
Саратов (845)249-38-78  
Севастополь (8692)22-31-93  
Саранск (8342)22-96-24  
Симферополь (3652)67-13-56  
Смоленск (4812)29-41-54  
Сочи (862)225-72-31  
Ставрополь (8652)20-65-13  
Сургут (3462)77-98-35  
Сыктывкар (8212)25-95-17  
Тамбов (4752)50-40-97  
Тверь (4822)63-31-35

Тольятти (8482)63-91-07  
Томск (3822)98-41-53  
Тула (4872)33-79-87  
Тюмень (3452)66-21-18  
Ульяновск (8422)24-23-59  
Улан-Удэ (3012)59-97-51  
Уфа (347)229-48-12  
Хабаровск (4212)92-98-04  
Чебоксары (8352)28-53-07  
Челябинск (351)202-03-61  
Череповец (8202)49-02-64  
Чита (3022)38-34-83  
Якутск (4112)23-90-97  
Ярославль (4852)69-52-93

Россия +7(495)268-04-70

Казахстан +(727)345-47-04

Беларусь +(375)257-127-884

Узбекистан +998(71)205-18-59

Киргизия +996(312)96-26-47

эл.почта: [mqt@nt-rt.ru](mailto:mqt@nt-rt.ru) || сайт: <https://mpfiltri.nt-rt.ru/>



## INTRODUCTION

COMPANY  
 PRODUCT RANGE  
 BELL-HOUSINGS & COUPLINGS SIZING  
 SELECTION SOFTWARE

## COUPLINGS

	General Information
SGEG - SGEA - SGES - SGEK - EGE	Flexible half-coupling in aluminium, cast iron and steel
AKG	IEC electric motor range from size 63 up to size 225
SGDR - EGR	Curved-tooth steel gear coupling
SGES - EGE	Components for e-PTO systems

## BELL-HOUSINGS

	General Information
LMG	Bell-housing with rectangular flange
LMC - LDC	Bell-housing for piston, screw and vane pumps
LMS - LDS	Bell-housing - Low Noise
MULTI-COMPONENTS	Bell-housing - Multi-components 2 - 3
LME	Range for endothermic motors from 3 to 13.5 Hp

## ACCESSORIES

ANM A	Damping rings
PDM A	Foot brackets
MPDR PDMA - MPDR	Damping rods
OB	Cleaning covers
SE10	Aluminium tanks

## Technical data

Positioned between the bell-housing motor flange and lid of the tank, they help to reduce the transmission of the vibrations and emission of noise generated by the system.

Damping rings provide a perfect hydraulic sealing actions by virtue of their special profile; damping rings are available for IEC electric motors from size 80 to size 315.

### Compatibility with fluids

- Mineral oils types HH-HL-HM-HR-HV, to ISO 6743/4 standard
- Water based emulsions types HFAE-HFAS, to ISO 6743/4 standard

### Materials

Internal ring: pressure die-cast aluminium alloy  
External body: NBR 75 Shore A

### Temperature

From -30 °C to +80 °C

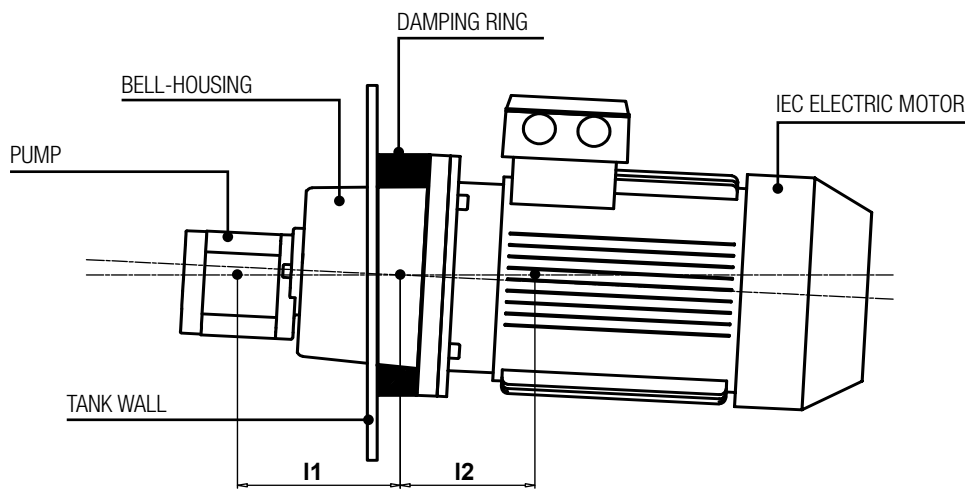
### Special Applications

Any applications not covered by the normal indications contained in this catalogue must be evaluated and approved by MP Filtri Technical and Sales Department

## Example of assembly

In order to warranty the application, to proceed with the calculation of the max weight and moment with the following formulas.

Values higher than those in the table could damage the product and couldn't warranty the conformity of the application!



$$F_{perm} \geq F_p + F_m$$

$$M_b perm \geq F_m \times l_1 - F_p \times l_2$$

## Permissible radial weight and bending load for damping rings

Code	F perm [N]	Mb perm [N·m]
<b>ANM A 200</b>	370	30
<b>ANM A 250</b>	720	65
<b>ANM A 300</b>	1450	175
<b>ANM A 350</b>	3600	740
<b>ANM A 400</b>	4800	1100
<b>ANM A 450</b>	6600	1600
<b>ANM A 550</b>	13000	4400
<b>ANM A 660</b>	24000	9000

### Legend of symbol

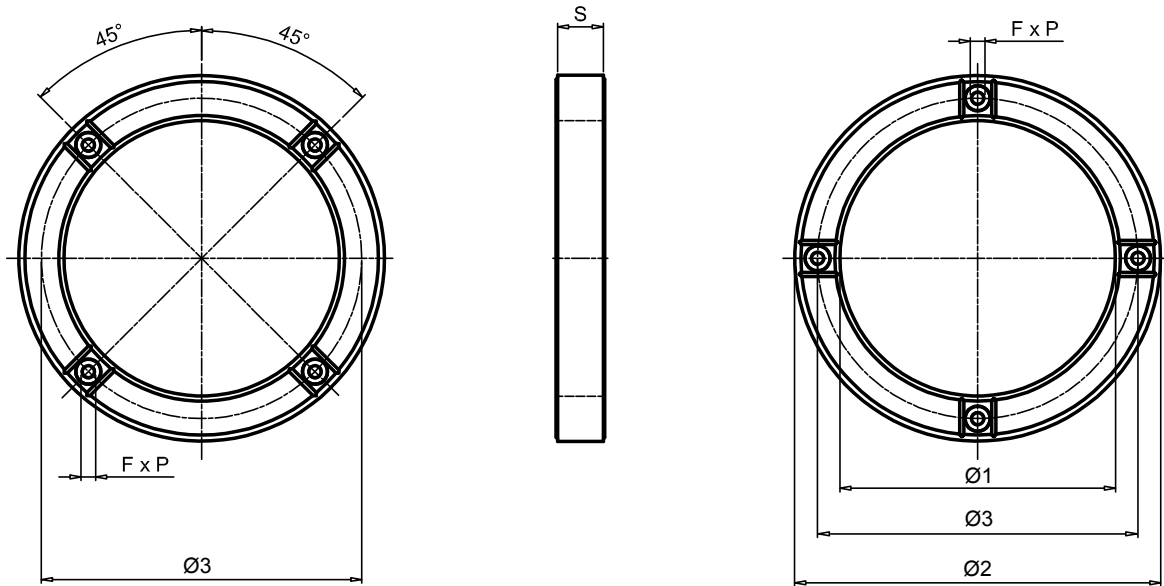
**F perm** = ammissible load (N)

**Fp** = pumps weight (N)

**Fm** = motor weight (N)

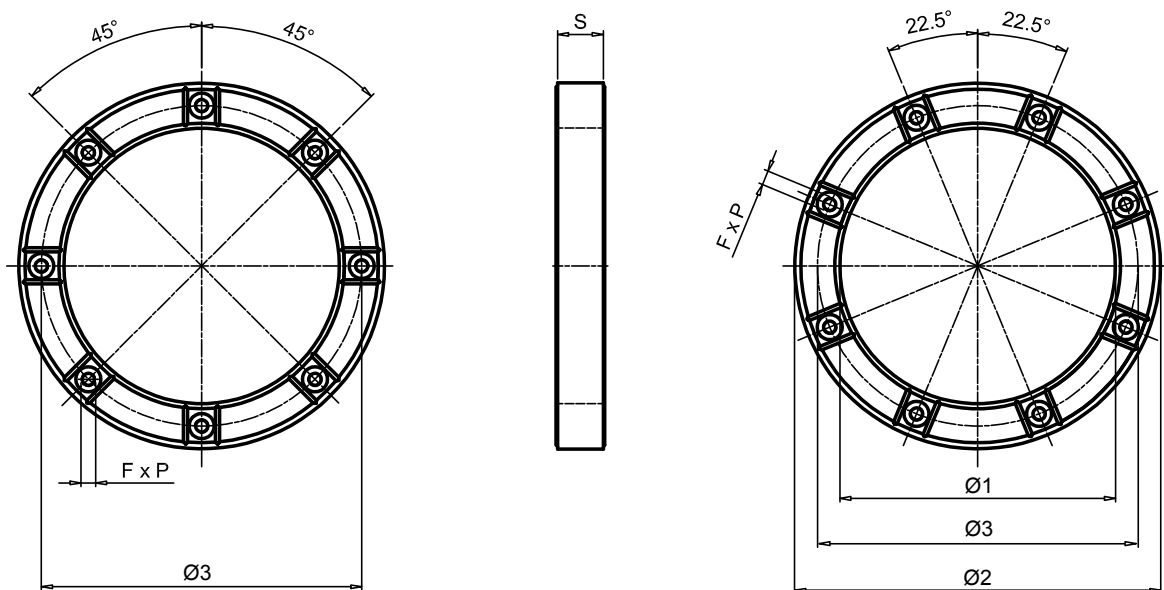
**Mb perm** = bending load (N·m)

**ANM A 200 ÷ 400**



Code	IEC - Electric motors	Dimensions [mm]					Nr. F	Screw tightening torque [N·m]	Weight [kg]
		Ø1	Ø2	Ø3	S	F x P			
<b>ANM A 200</b>	80, 90S / 90L	144	200	165	40	M10x16	4+4	23	1.70
<b>ANM A 250</b>	100L / 112M	191	250	215	45	M12x16		40	2.53
<b>ANM A 300</b>	132S / 132M	238	300	265	50	M12x16		40	2.15
<b>ANM A 350</b>	160L/160M, 180L/180M	260	350	300	58	M16x20		100	3.95
<b>ANM A 400</b>	200L	301	400	350	50	M16x25		100	4.60

**ANM A 450 ÷ 660**



Code	IEC - Electric motors	Dimensions [mm]					Nr. F	Screw tightening torque [N·m]	Weight [kg]
		Ø1	Ø2	Ø3	S	F x P			
<b>ANM A 450</b>	225S / 225M	352	450	400	60	M16x25	8+8	100	6.20
<b>ANM A 550</b>	250M, 280M / 280S	452	550	500	60	M16x25		210	7.76
<b>ANM A 660</b>	315M / 315S	552	660	600	67	M20x25		410	11.25

## Technical data

The foot brackets are proportioned to support IEC Electric motors with B5 flange without feet.

The range is available from size 71 to size 180.

### Compatibility with fluids

- Mineral oils types HH-HL-HM-HR-HV, to ISO 6743/4 standard
- Water based emulsions types HFAE-HFAS, to ISO 6743/4 standard
- Water glycol type HFC, to ISO 6743/4 standard: ask for anodized version

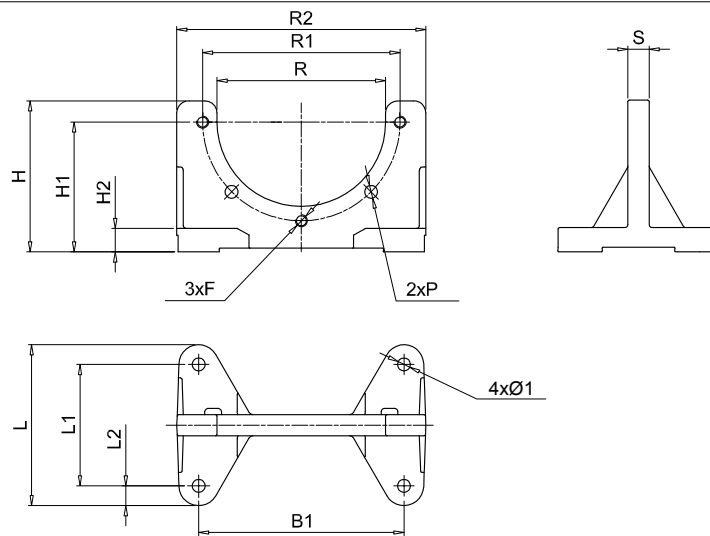
### Materials

Foot bracket: pressure die-cast aluminium alloy

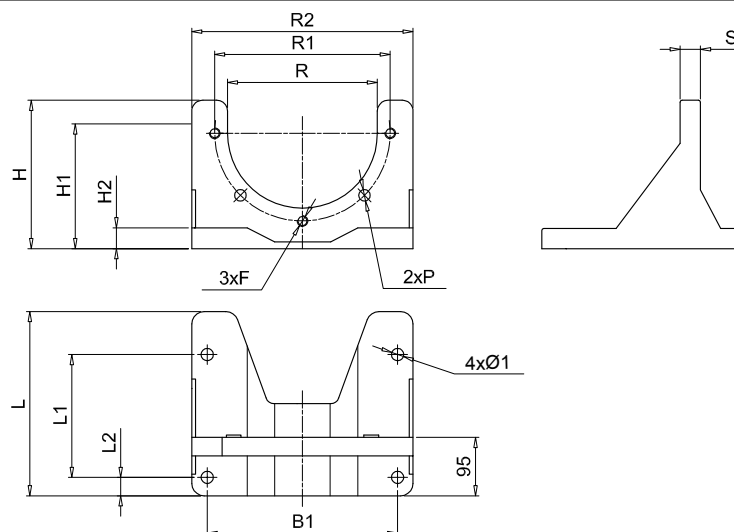
### Temperature

From -30 °C to +80 °C

## Dimensions



Foot bracket	Dimensions [mm]															Weight [kg]
	B	B1	R2	L	L1	L2	H	H1	H2	R	R1	S	P	Ø1	F	
<b>PDM A 160</b>	160	135	180	106	80	13	100	86	16	111	130	14	8.5	8.5	M8	0.45
<b>PDM A 200</b>	200	175	207	128	98	21	128	115	14	146	165	14	11.0	11.5	M10	0.60
<b>PDM A 250</b>	250	220	262	172	130	21	157	145	18	191	215	16	13.0	13.5	M12	1.20
<b>PDM A 300</b>	300	270	320	210	160	25	188	170	18	235	265	20	13.0	13.5	M12	1.80



Foot bracket	Dimensions [mm]															Weight [kg]
	B	B1	R2	L	L1	L2	H	H1	H2	R	R1	S	P	Ø1	F	
<b>PDM A 350</b>	350	310	360	300	200	30	220	200	30	261	300	30	18	13	M16	4.80



## Technical data

These pressure die-cast aluminium alloy doors offer superior mechanical strength and are manufactured to DIN 24339 standard. They provide easy access to the inside of the oil tank for inspection and cleaning purposes.

On request and for small quantities, to be agreed with MP Filtri Technical and Sales Department, inspection doors can be supplied with:

- Customer logo.
- Hole cut for visual level indicator.
- Hole cut for visual and electrical level indicator.
- Oil sample plug

### Compatibility with fluids

- Mineral oils types HH-HL-HM-HR-HV, to ISO 6743/4 standard
- Water based emulsions types HFAE-HFAS, to ISO 6743/4 standard
- Water glycol type HFC, to ISO 6743/4 standard: ask for anodized version

### Materials

Cleaning covers: pressure die-cast aluminium alloy

Seal: NBR 70 Shore A

### Temperature

From -30 °C to +80 °C

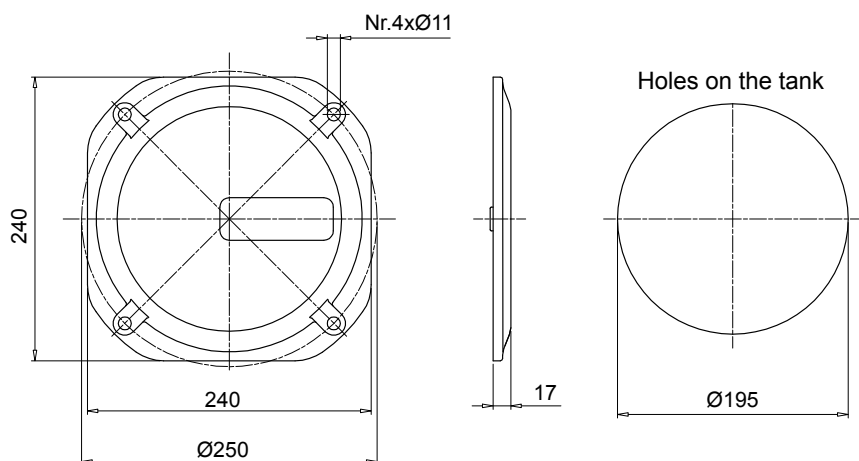
### Special Applications

Any applications not covered by the normal indications contained in this catalogue must be evaluated and approved by MP Filtri Technical and Sales Department

## Dimensions

Cleaning cover according to DIN 24339

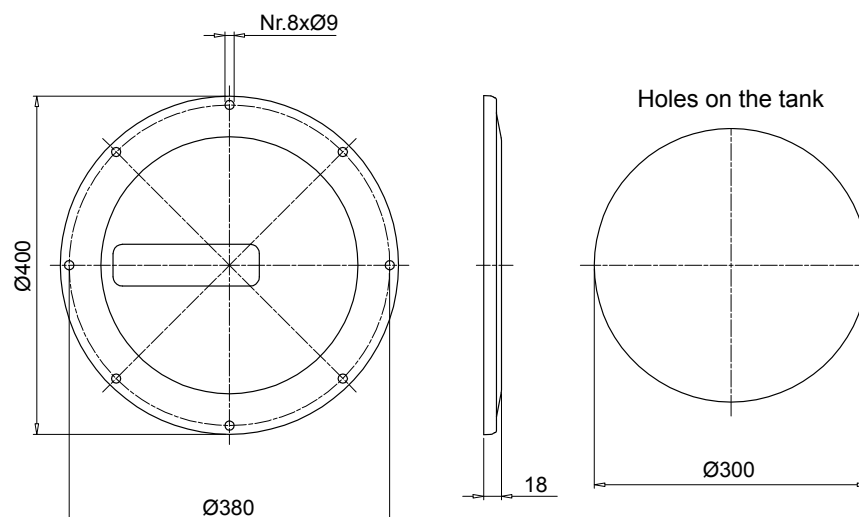
### OB275



Code	Description	Seal	Weight [kg]
<b>OB275P01GN</b>	Door with MP Logo	NBR	2.06
<b>OB275P02GN</b>	Blank cover	NBR	2.06
<b>OB275P01GV</b>	Door with MP Logo	FPM	2.06
<b>OB275P02GV</b>	Blank cover	FPM	2.06

Code	Description	Weight [kg]
<b>OB275P01</b>	Door with MP Logo	1.76
<b>OB275P02</b>	Blank cover	1.76
<b>GU0275NBR</b>	Seal	1.76
<b>GU0275VTN</b>	Seal	1.76

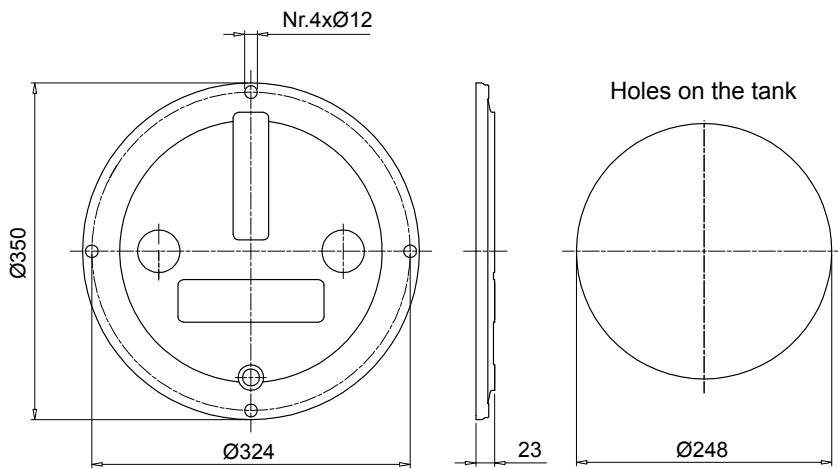
### OB400



Code	Description	Seal	Weight [kg]
<b>OB400P01GN</b>	Door with MP Logo	NBR	3.20
<b>OB400P02GN</b>	Blank cover	NBR	3.20
<b>OB400P01GV</b>	Door with MP Logo	FPM	3.20
<b>OB400P02GV</b>	Blank cover	FPM	3.20

Code	Description	Weight [kg]
<b>OB400P01</b>	Door with MP Logo	2.90
<b>OB400P02</b>	Blank cover	2.90
<b>GU0400NBR</b>	Seal	2.90
<b>GU0400VTN</b>	Seal	2.90

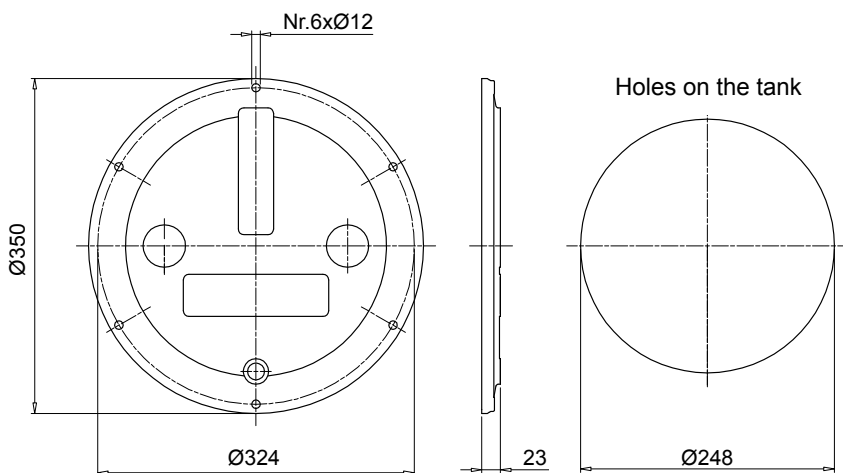
**OB350**



Code	Description	Seal	Weight [kg]
<b>OB350P01GN</b>	Door with MP Logo	NBR	2.10
<b>OB350P02GN</b>	Blank cover	NBR	2.10
<b>OB350P01GV</b>	Door with MP Logo	FPM	2.10
<b>OB350P02GV</b>	Blank cover	FPM	2.10

Code	Description	Weight [kg]
<b>OB350DIN000</b>	Door	1.80
<b>GU0350DINNBR</b>	Seal	1.80
<b>GU0350DINVTN</b>	Seal	1.80

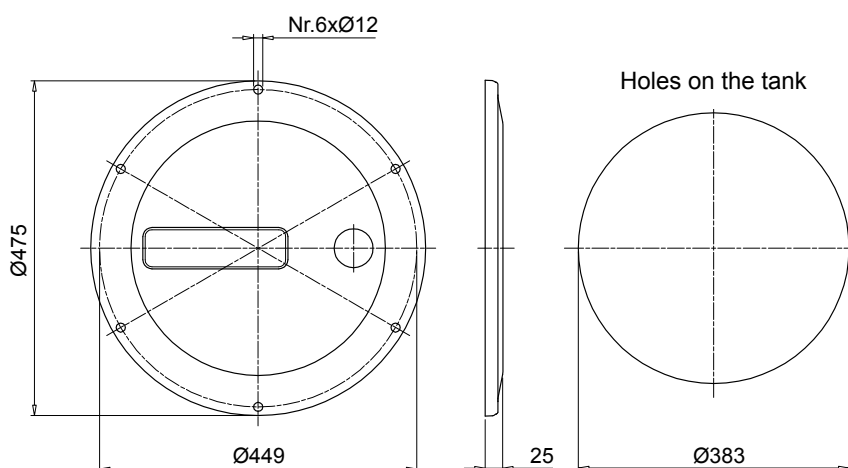
**OB356**



Code	Description	Seal	Weight [kg]
<b>OB356P01GN</b>	Door with MP Logo	NBR	2.10
<b>OB356P02GN</b>	Blank cover	NBR	2.10
<b>OB356P01GV</b>	Door with MP Logo	FPM	2.10
<b>OB356P02GV</b>	Blank cover	FPM	2.10

Code	Description	Weight [kg]
<b>OB356DIN000</b>	Door	1.80
<b>GU0350DINNBR</b>	Seal	1.80
<b>GU0350DINVTN</b>	Seal	1.80

**OB475**



Code	Description	Seal	Weight [kg]
<b>OB475P01GN</b>	Door with MP Logo	NBR	3.70
<b>OB475P02GN</b>	Blank cover	NBR	3.70
<b>OB475P01GV</b>	Door with MP Logo	FPM	3.70
<b>OB475P02GV</b>	Blank cover	FPM	3.70

Code	Description	Weight [kg]
<b>OB475P01</b>	Door with MP Logo	3.40
<b>OB475P02</b>	Blank cover	3.40
<b>GU0475DINNBR</b>	Seal	3.40
<b>GU0475DINVTN</b>	Seal	3.40

## Oil level indicator **LVA** series - vertical shape

### Technical data

#### Materials

Transparent amorphous polyamide lens  
Polyamide guard  
Seals: NBR - FPM

#### Operating pressure

Max 1 bar at +80°C

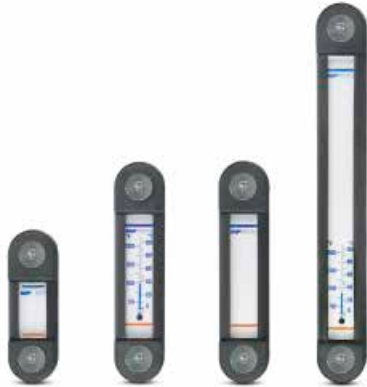
#### Operating temperature

From -25 °C to +80 °C

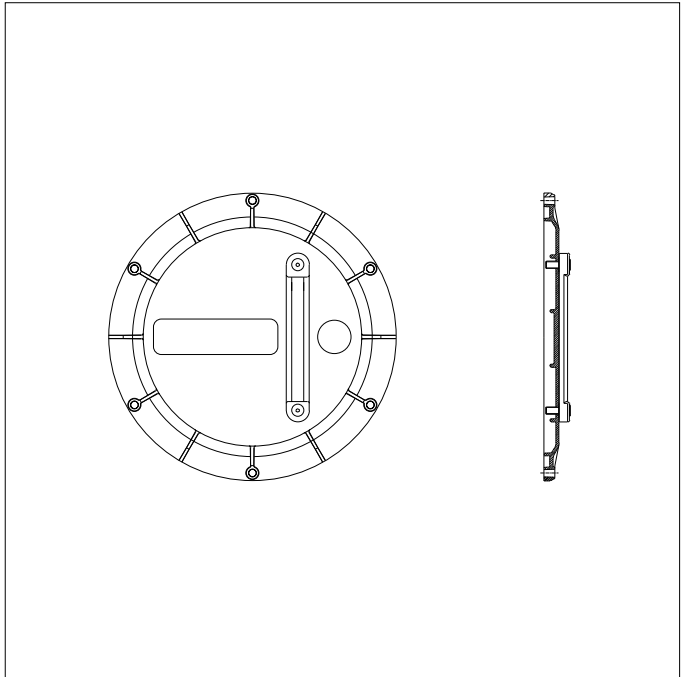
#### Tightening torque

10 N·m max.

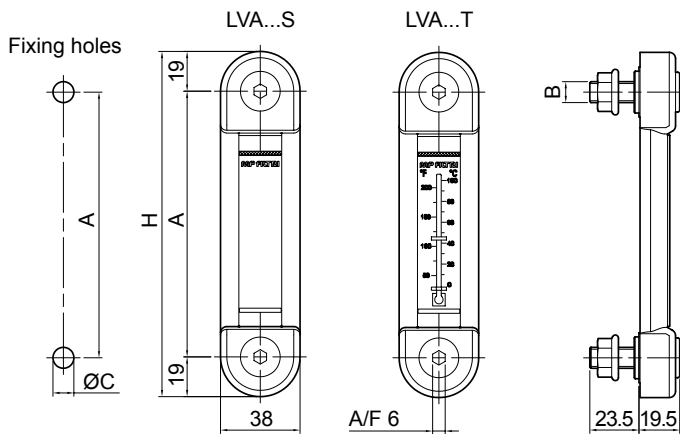
Mineral oils  
Synthetic oils  
Water base emulsions  
Phosphoric esters



### Installation



### Dimensions



Size	A [mm]	H [mm]
<b>LVA 10</b>	76	114
<b>LVA 20</b>	127	165
<b>LVA 30</b>	254	292

Type	B [mm]	ØC [mm]
<b>LVA...M10</b>	M10	10.5
<b>LVA...M12</b>	M12	12.5
<b>LVA...U38</b>	3/8" UNC	10.0
<b>LVA...U12</b>	1/2" UNC	13.5

#### Packaging

Type	Nr. pieces per pack
<b>LVA</b>	10

#### Preparing for to fit the level on request

Indicator code	OB275**	OB350**	OB356**	OB400**	OB475**
<b>LVA 10**</b>	•	•	•	•	•
<b>LVA 20**</b>		•	•	•	•
<b>LVA 30**</b>				•	•

LEG series electrical oil level indicators are supplied with a 3-hole fixing flange and a reed switch having NC-NO contacts.

Designed typically for installation on the vertical walls of oil tanks, these instruments can also be mounted to inspection doors of the OB475 series as indicators of minimum and maximum oil levels in the tank.

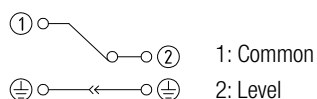
### Warning

To operate correctly, the float must be positioned vertically and at a minimum distance of 35 mm from walls made of ferrous metal.

To change the contact from NC to NO, simply turn the float upside down.

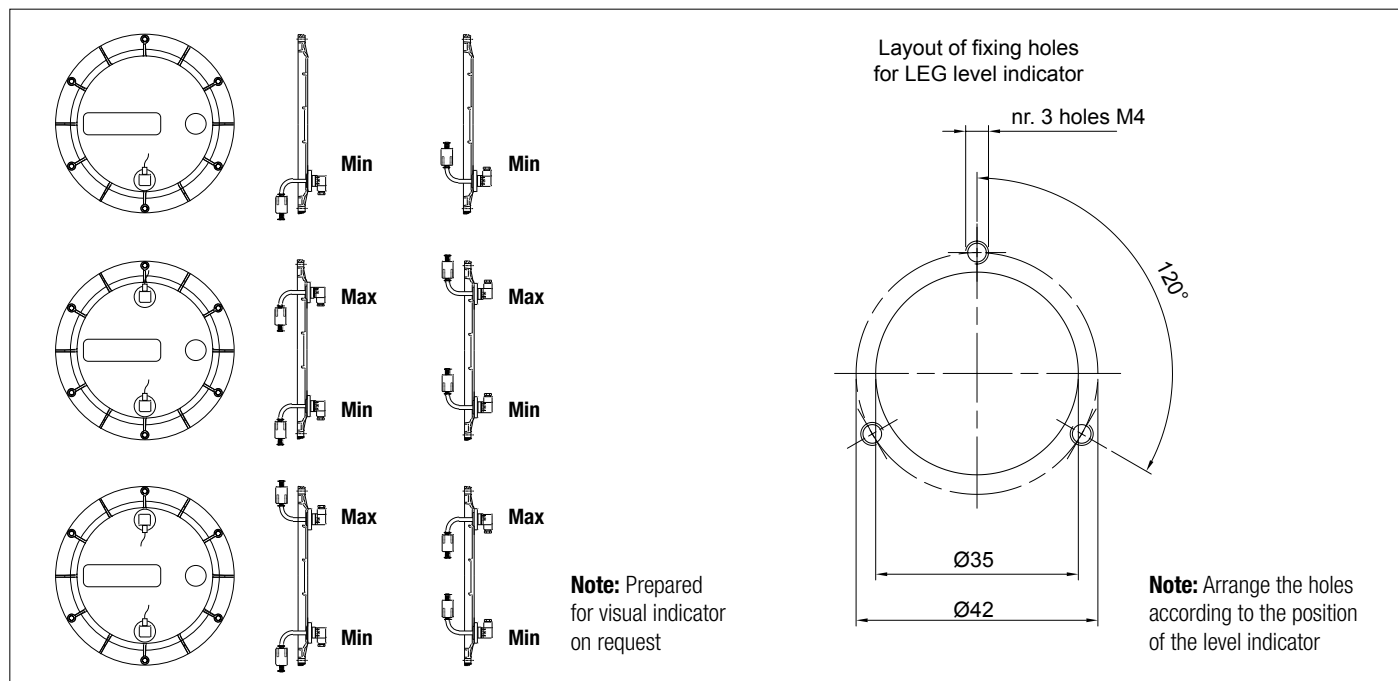
The electrical properties indicated are referred to resistive loads; for capacitive and inductive loads and incandescent lamps, use protection circuits.

### Electrical symbol:

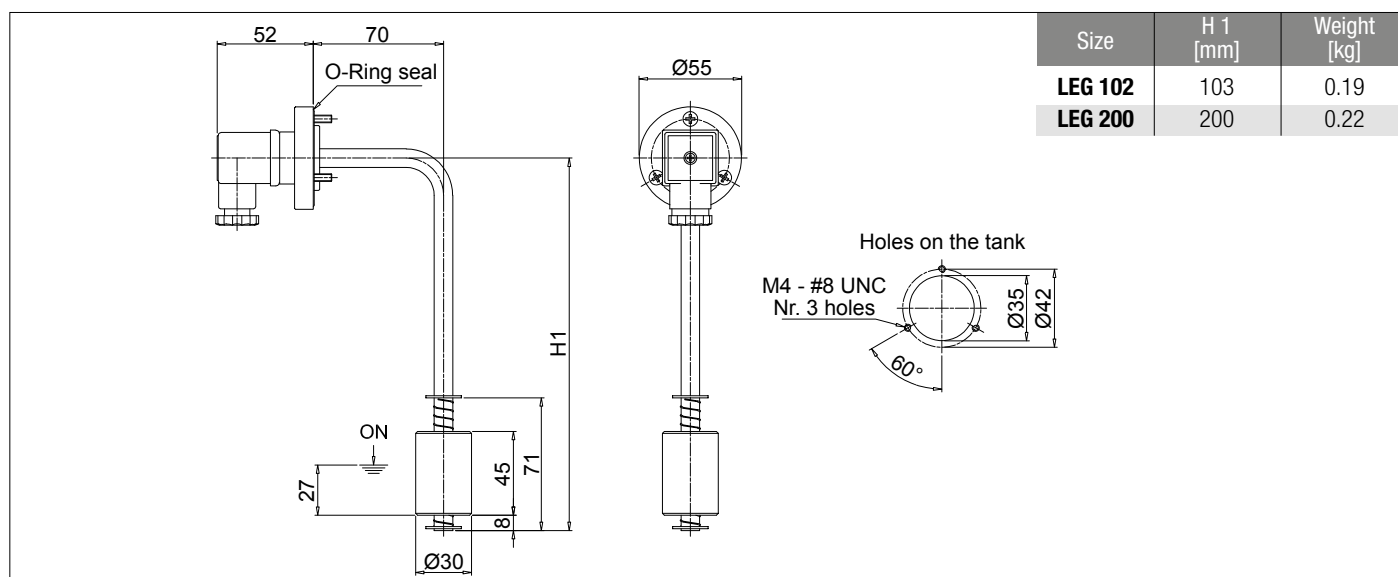


**Note:** to invert the contact status from NC to NO and vice versa, simply invert the float.

### Installation

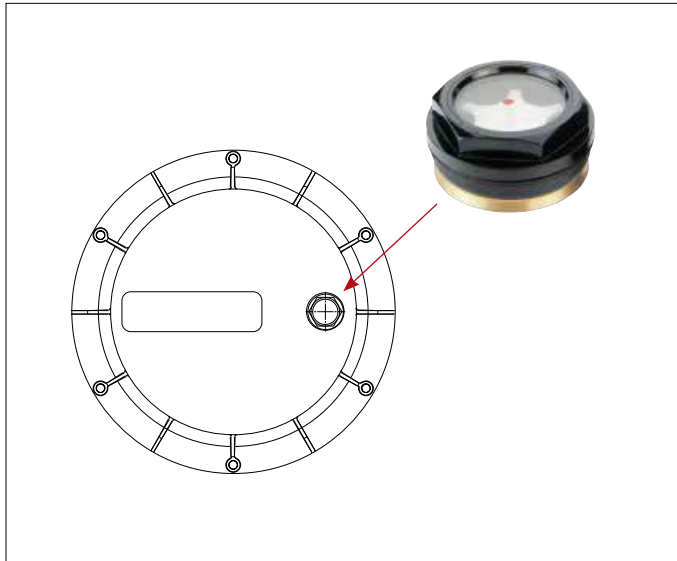


### Dimensions

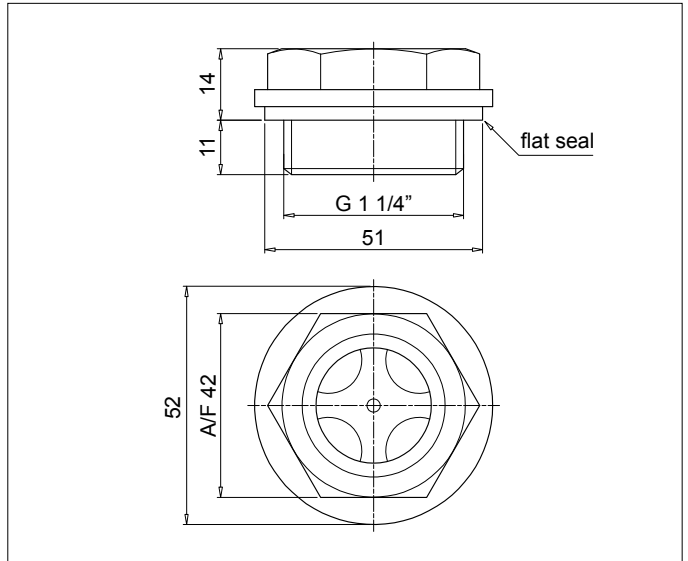


Visual level indicators code **LCPG42N...S**

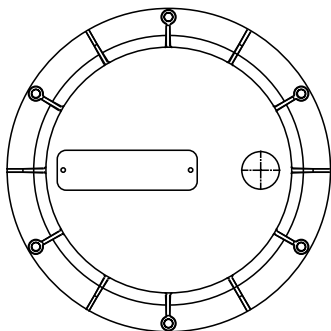
## Installation



## Dimensions



## Available customization



Nameplate with customer logo  
Ordering information: **OB475LOGOP05**

The nameplates applied to the new inspection door are identical to those applied to the old door. The difference with the new door is that nameplates are fixed with rivets.

**For ordering information codes, minimum order quantities, fixing hole positions and other details not indicated in this publication, contact MP Filtri Technical and Sales Department.**

## Technical data

Made of pressure die-cast aluminium alloy, these tanks feature superior strength and optimum design and are ideal for compact hydraulic power units.

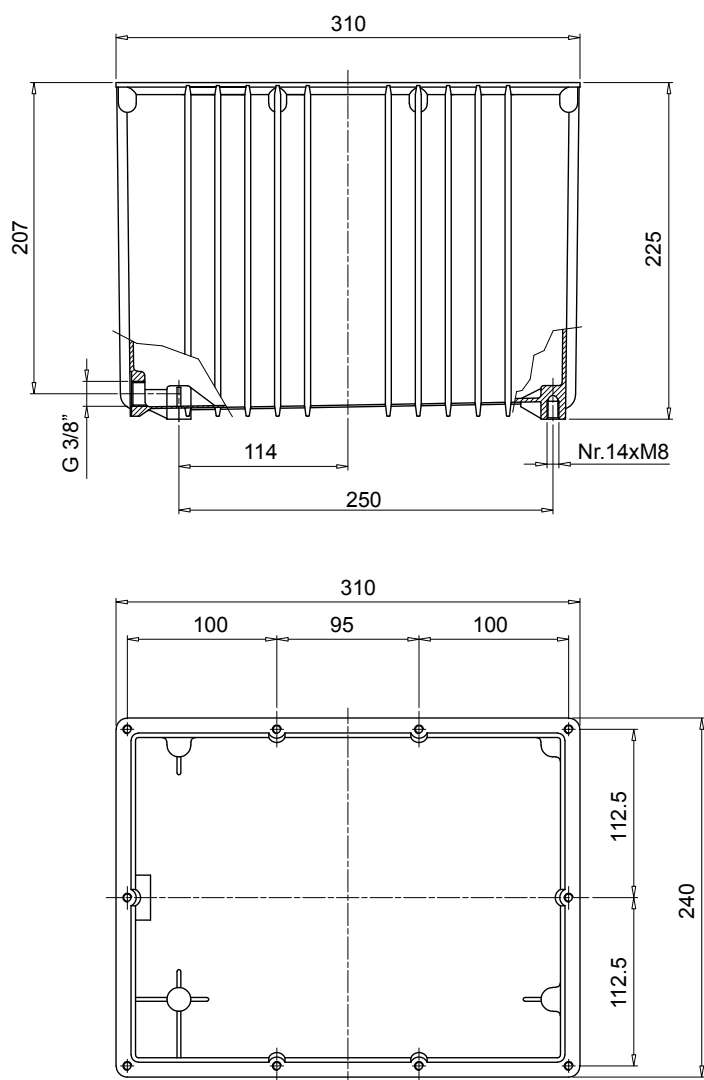
Generously proportioned fins ensure efficient cooling.

The tank is supplied with:

- M6 threaded fixing holes for lid
- feet with M8 threaded fixing holes
- G 3/8" threaded drain hole

The lid is sealed by a gasket made of special paper, which must be ordered separately indicating code "GUS 10.0".

## Dimensions



Code	Weight [kg]
<b>SE10LT</b>	4.0

## По вопросам продаж и поддержки обращайтесь:

Алматы (727)345-47-04  
Ангарск (3955)60-70-56  
Архангельск (8182)63-90-72  
Астрахань (8512)99-46-04  
Барнаул (3852)73-04-60  
Белгород (4722)40-23-64  
Благовещенск (4162)22-76-07  
Брянск (4832)59-03-52  
Владивосток (423)249-28-31  
Владикавказ (8672)28-90-48  
Владимир (4922)49-43-18  
Волгоград (844)278-03-48  
Вологда (8172)26-41-59  
Воронеж (473)204-51-73  
Екатеринбург (343)384-55-89

Иваново (4932)77-34-06  
Ижевск (3412)26-03-58  
Иркутск (395)279-98-46  
Казань (843)206-01-48  
Калининград (4012)72-03-81  
Калуга (4842)92-23-67  
Кемерово (3842)65-04-62  
Киров (8332)68-02-04  
Коломна (4966)23-41-49  
Кострома (4942)77-07-48  
Краснодар (861)203-40-90  
Красноярск (391)204-63-61  
Курск (4712)77-13-04  
Курган (3522)50-90-47  
Липецк (4742)52-20-81

Магнитогорск (3519)55-03-13  
Москва (495)268-04-70  
Мурманск (8152)59-64-93  
Набережные Челны (8552)20-53-41  
Новокузнецк (3843)20-46-81  
Ноябрьск (3496)41-32-12  
Новосибирск (383)227-86-73  
Омск (3812)21-46-40  
Орел (4862)44-53-42  
Оренбург (3532)37-68-04  
Пенза (8412)22-31-16  
Петрозаводск (8142)55-98-37  
Псков (8112)59-10-37  
Пермь (342)205-81-47

Ростов-на-Дону (863)308-18-15  
Рязань (4912)46-61-64  
Самара (846)206-03-16  
Санкт-Петербург (812)309-46-40  
Саратов (845)249-38-78  
Севастополь (8692)22-31-93  
Саранск (8342)22-96-24  
Симферополь (3652)67-13-56  
Смоленск (4812)29-41-54  
Сочи (862)225-72-31  
Ставрополь (8652)20-65-13  
Сургут (3462)77-98-35  
Сыктывкар (8212)25-95-17  
Тамбов (4752)50-40-97  
Тверь (4822)63-31-35

Тольятти (8482)63-91-07  
Томск (3822)98-41-53  
Тула (4872)33-79-87  
Тюмень (3452)66-21-18  
Ульяновск (8422)24-23-59  
Улан-Удэ (3012)59-97-51  
Уфа (347)229-48-12  
Хабаровск (4212)92-98-04  
Чебоксары (8352)28-53-07  
Челябинск (351)202-03-61  
Череповец (8202)49-02-64  
Чита (3022)38-34-83  
Якутск (4112)23-90-97  
Ярославль (4852)69-52-93

**Россия** +7(495)268-04-70

**Казахстан** +(727)345-47-04

**Беларусь** +(375)257-127-884

**Узбекистан** +998(71)205-18-59

**Киргизия** +996(312)96-26-47

эл.почта: [mqt@nt-rt.ru](mailto:mqt@nt-rt.ru) || сайт: <https://mpfiltri.nt-rt.ru/>