

Аксессуары

Технические характеристики

По вопросам продаж и поддержки обращайтесь:

Алматы (727)345-47-04
Ангарск (3955)60-70-56
Архангельск (8182)63-90-72
Астрахань (8512)99-46-04
Барнаул (3852)73-04-60
Белгород (4722)40-23-64
Благовещенск (4162)22-76-07
Брянск (4832)59-03-52
Владивосток (423)249-28-31
Владикавказ (8672)28-90-48
Владимир (4922)49-43-18
Волгоград (844)278-03-48
Вологда (8172)26-41-59
Воронеж (473)204-51-73
Екатеринбург (343)384-55-89

Иваново (4932)77-34-06
Ижевск (3412)26-03-58
Иркутск (395)279-98-46
Казань (843)206-01-48
Калининград (4012)72-03-81
Калуга (4842)92-23-67
Кемерово (3842)65-04-62
Киров (8332)68-02-04
Коломна (4966)23-41-49
Кострома (4942)77-07-48
Краснодар (861)203-40-90
Красноярск (391)204-63-61
Курск (4712)77-13-04
Курган (3522)50-90-47
Липецк (4742)52-20-81

Магнитогорск (3519)55-03-13
Москва (495)268-04-70
Мурманск (8152)59-64-93
Набережные Челны (8552)20-53-41
Нижний Новгород (831)429-08-12
Новокузнецк (3843)20-46-81
Ноябрьск (3496)41-32-12
Новосибирск (383)227-86-73
Омск (3812)21-46-40
Орел (4862)44-53-42
Оренбург (3532)37-68-04
Пенза (8412)22-31-16
Петрозаводск (8142)55-98-37
Псков (8112)59-10-37
Пермь (342)205-81-47

Ростов-на-Дону (863)308-18-15
Рязань (4912)46-61-64
Самара (846)206-03-16
Санкт-Петербург (812)309-46-40
Саратов (845)249-38-78
Севастополь (8692)22-31-93
Саранск (8342)22-96-24
Симферополь (3652)67-13-56
Смоленск (4812)29-41-54
Сочи (862)225-72-31
Ставрополь (8652)20-65-13
Сургут (3462)77-98-35
Сыктывкар (8212)25-95-17
Тамбов (4752)50-40-97
Тверь (4822)63-31-35

Тольятти (8482)63-91-07
Томск (3822)98-41-53
Тула (4872)33-79-87
Тюмень (3452)66-21-18
Ульяновск (8422)24-23-59
Улан-Удэ (3012)59-97-51
Уфа (347)229-48-12
Хабаровск (4212)92-98-04
Чебоксары (8352)28-53-07
Челябинск (351)202-03-61
Череповец (8202)49-02-64
Чита (3022)38-34-83
Якутск (4112)23-90-97
Ярославль (4852)69-52-93

Россия +7(495)268-04-70

Казахстан +(727)345-47-04

Беларусь +(375)257-127-884

Узбекистан +998(71)205-18-59

Киргизия +996(312)96-26-47

эл.почта: mqt@nt-rt.ru || сайт: <https://mpfiltri.nt-rt.ru/>

EM1 & SVM gauge isolator valves are designed to protect pressure gauges from pressure shocks when the pressure reading is not required.



FTA/FTR flanges make it possible to fix suction and return lines on the reservoir cover.

MULTIFIX fixing clamps make it possible to install various pipelines of different types and diameters, rapidly, easily, and, more importantly, economically.



EM1 series

Pressure gauge isolator



EM1 GENERAL INFORMATION

Technical data

Accessories

Pressure gauge isolator

Gauge isolator valves are designed to protect pressure gauges from pressure shocks when the pressure reading is not required; after each reading setting the selector to the closed position serves to depressurise the pressure gauge by means of the T fitting connected to the reservoir.

Working instructions:

- Button not pressed: pressure gauge isolated
- Button pressed: pressure gauge reading
- Button pressed and turned (either to left or right): button remains in position and pressure gauge measures pressure continuously.
- To isolate the pressure gauge from pressure reading, turn the button until it returns to the not pressed position.

Materials A-B

- Body: Cast iron
- Pin: Steel
- Seals: NBR
- Knob/cover: Polyamide
- Stop ring: Steel
- Spring: Steel
- Nameplate: Aluminium
- Nut-screw: Galvanized steel

Materials C

- Body: Cast iron
- Pin: Steel
- Seals: NBR
- Knob/cover: Polyamide
- Stop ring: Steel
- Spring: Steel
- Nameplate: Aluminium
- Nut-screw: Galvanized steel
- Plug: Anodized steel

Operating pressure

400 bar

Operating temperature

From -25 °C to + 100 °C

Weight

| | |
|---------------|---------|
| EM1 version A | 0.41 kg |
| EM1 version B | 0.44 kg |
| EM1 version C | 1.00 kg |



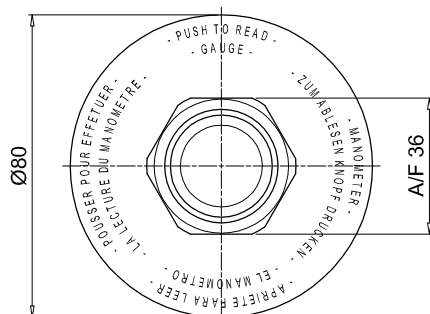
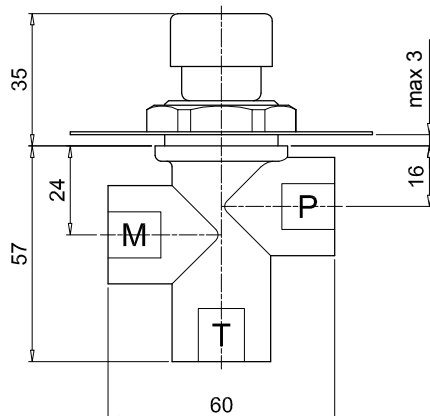
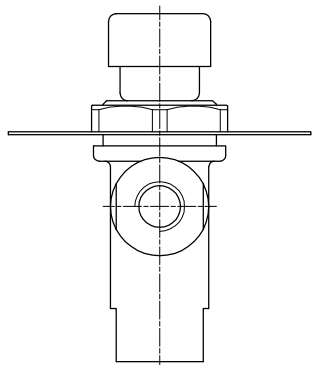
Designation & Ordering code

COMPLET PRESSURE-GAUGE ISOLATOR

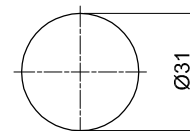
| | | | | | | |
|-------------------|--|---|-----------|--|--|--|
| Series | | Configuration example : EM1 A G2 A P01 | | | | |
| EM1 | | | | | | |
| Version | | G1 | G2 | | | |
| A | Threaded connections, panel mount with hex nut | • | • | | | |
| B | Threaded connections, panel mount with screws | • | - | | | |
| C | Manifold/threaded connections, panel mount with screws | • | - | | | |
| Connection | | | | | | |
| G1 | G 1/4" | | | | | |
| G2 | 1/4" NPT | | | | | |
| Seals | | | | | | |
| A | NBR | | | | | |
| Execution | | | | | | |
| P01 | MP Filtri standard | | | | | |
| Pxx | Customized | | | | | |

EM1

version A

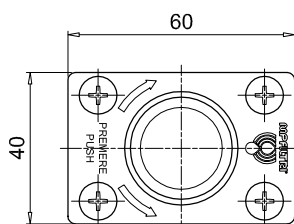
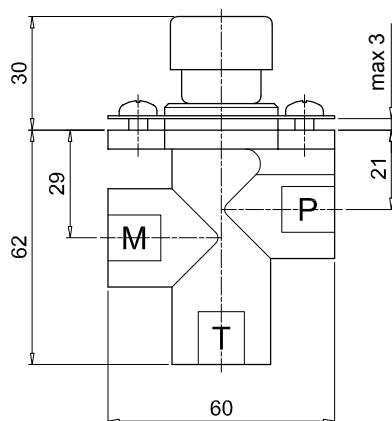
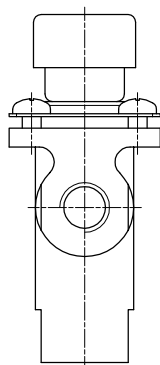


Holes on the panel

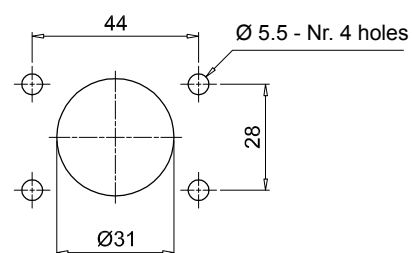


EM1

version B

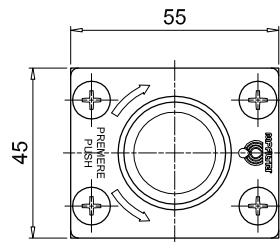
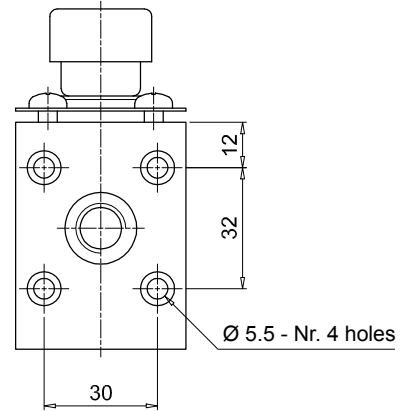
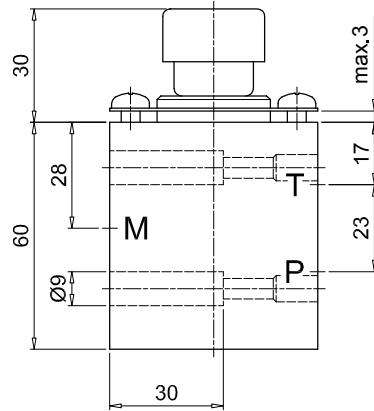
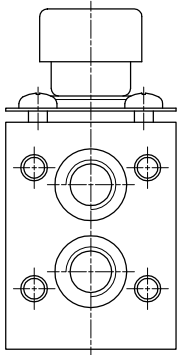


Holes on the panel

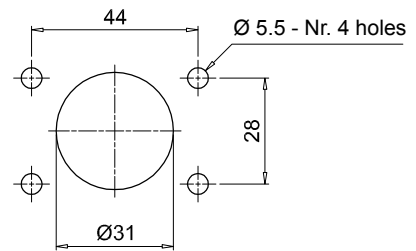


EM1

version C



Holes on the panel



SVM series

Gauge selector valve



SVM GENERAL INFORMATION

Technical data

Accessories

Gauge selector valve

Gauge isolator valves are designed to protect pressure gauges from pressure shocks when the pressure reading is not required; after each reading setting the selector to the closed position serves to depressurize the pressure gauge by means of the T fitting connected to the reservoir.

Working instructions:

- Knob not pressed: pressure gauge isolated
- Knob pressed: pressure gauge reading
- Knob pressed and turned: the knob remains in position and pressure gauge measures pressure continuously.
- To isolate the pressure gauge from pressure reading, turn the button until it returns to the not pressed position.

Materials

- Body: Cast iron
- Pin: Steel
- Seals: NBR
- Cover: Anodized aluminium
- Flange: Anodized aluminium
- Knob: Polyamide
- Ringnut: Polyamide
- Nut-screw: Galvanized steel, Phosphatized steel

Operating pressure

400 bar

Operating temperature

From -25 °C to + 100 °C

Weight

SVM version 3 1.547 kg
SVM version 6 1.507 kg



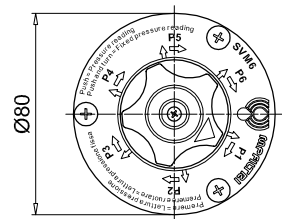
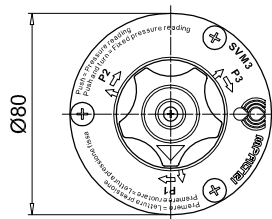
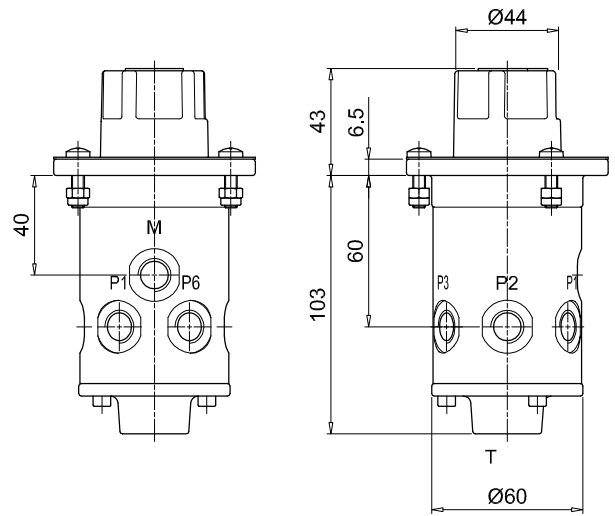
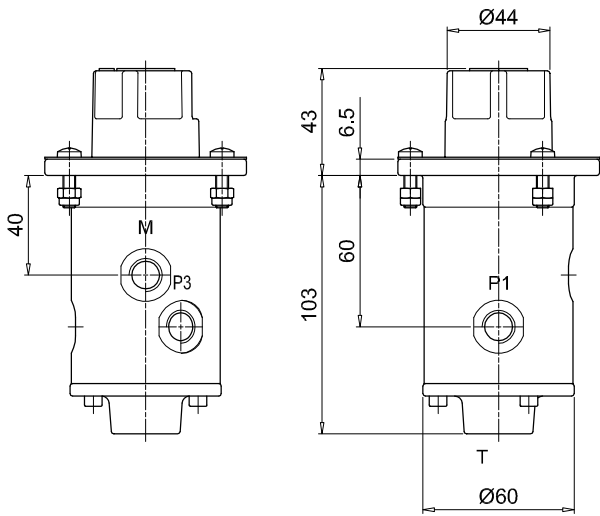
Designation & Ordering code

COMPLETE GAUGE ISOLATOR VALVE

| Series | Configuration example : | | | | |
|-------------------------------|-------------------------|---|----|---|-----|
| SVM | SVM | 3 | G1 | A | P01 |
| Version | | | | | |
| 3 Nr. 3 pressure ports | | | | | |
| 6 Nr. 6 pressure ports | | | | | |
| Connection | | | | | |
| G1 G 1/4" | | | | | |
| Seals | | | | | |
| A NBR | | | | | |
| Execution | | | | | |
| P01 MP Filtri standard | | | | | |
| Pxx Customized | | | | | |

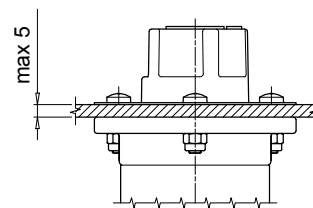
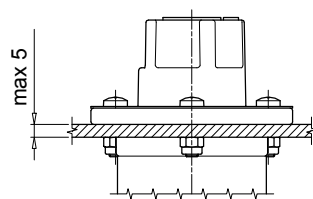
SVM
version 3

SVM
version 6

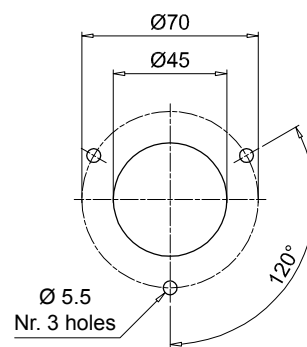
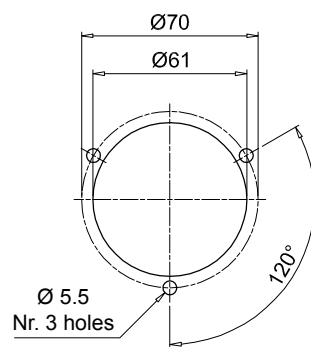


External mount

Internal mount



Holes on the panel



FTA -FTR series

Oil tank fixing flange



FTA - FTR GENERAL INFORMATION

Technical data

Accessories

Oil tank fixing flange

FT flanges make it possible to fix suction and return lines on the reservoir cover.

Fitting a flexible insert allows separation of pipes.

Both rigid pipes and flexible hoses can be separated from the reservoir walls, absorbing vibration and reducing plant noise emissions.

Operating temperature

From -25 °C to + 100 °C

Materials

- Flange: Galvanized steel
- Flange seal: Inorganic fibre
- Tube seal: NBR
- Screw: Galvanized steel

Weight FTA

| | |
|----------|----------|
| FTA 1215 | 0.590 kg |
| FTA 1620 | 0.570 kg |
| FTA 2225 | 0.550 kg |
| FTA 2630 | 0.530 kg |
| FTA 3235 | 0.500 kg |
| FTA 3842 | 0.520 kg |
| FTA 4850 | 0.920 kg |
| FTA 6061 | 0.900 kg |
| FTA 7577 | 0.860 kg |
| FTA 8789 | 0.830 kg |

Weight FTR

| | |
|----------|----------|
| FTR 0610 | 0.450 kg |
| FTR 1215 | 0.430 kg |
| FTR 1620 | 0.400 kg |
| FTR 2225 | 0.100 kg |
| FTR 2630 | 0.103 kg |
| FTR 3235 | 0.980 kg |
| FTR 3842 | 0.950 kg |
| FTR 4850 | 0.900 kg |
| FTR 6061 | 0.850 kg |

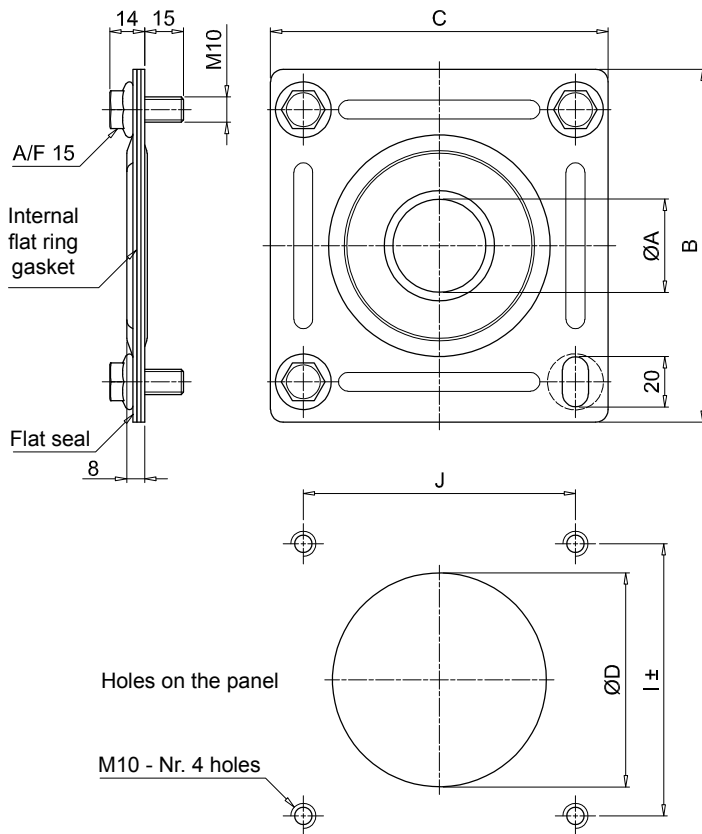


Designation & Ordering code

COMPLETE OIL TANK FIXING FLANGE

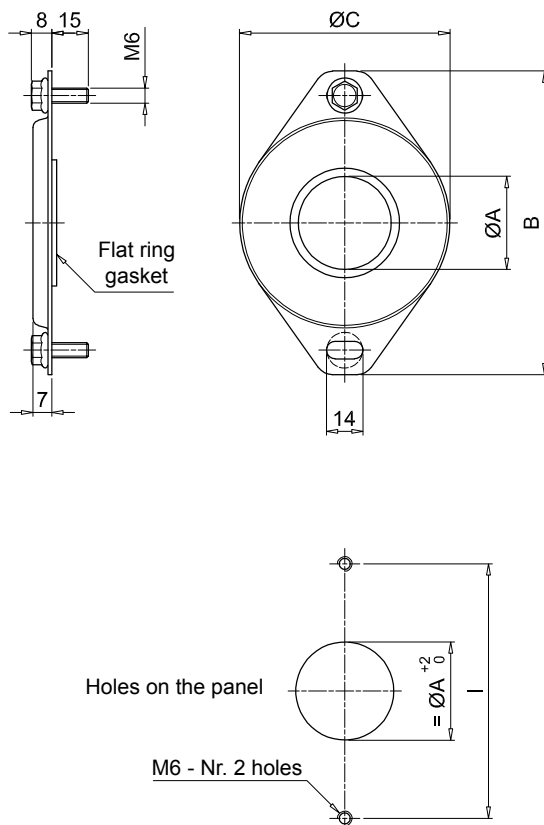
| Series | Configuration example : FTA 2630 G A P01 | | | | |
|-------------------------------|--|-----|--|--|--|
| FTA | FTR | | | | |
| Size | FTA | FTR | | | |
| 0610 Pipe Ø06 ÷ 10 mm | - | • | | | |
| 1215 Pipe Ø12 ÷ 15 mm | • | • | | | |
| 1620 Pipe Ø16 ÷ 20 mm | • | • | | | |
| 2225 Pipe Ø22 ÷ 25 mm | • | • | | | |
| 2630 Pipe Ø26 ÷ 30 mm | • | • | | | |
| 3235 Pipe Ø32 ÷ 35 mm | • | • | | | |
| 3842 Pipe Ø38 ÷ 42 mm | • | • | | | |
| 4850 Pipe Ø48 ÷ 50 mm | • | • | | | |
| 6061 Pipe Ø60 ÷ 61 mm | • | • | | | |
| 7577 Pipe Ø75 ÷ 77 mm | • | - | | | |
| 8789 Pipe Ø87 ÷ 89 mm | • | - | | | |
| Flange seals | FTA | FTR | | | |
| G Inorganic fiber | • | - | | | |
| 0 Without seal | - | • | | | |
| Pipe seals | | | | | |
| A NBR | | | | | |
| Execution | | | | | |
| P01 MP Filtri standard | | | | | |
| Pxx Customized | | | | | |

FTA



| Size | ØA [mm] | | B [mm] | C [mm] | ØD [mm] | I [mm] | J [mm] |
|-------------|---------|-----|--------|--------|---------|--------|--------|
| | min | max | | | | | |
| 1215 | 12 | 15 | 140 | 134 | 85 | 108±1 | 108 |
| 1620 | 16 | 20 | | | | | |
| 2225 | 22 | 25 | | | | | |
| 2630 | 26 | 30 | | | | | |
| 3235 | 32 | 35 | | | | | |
| 3842 | 38 | 42 | 190 | 184 | 130 | 159±4 | 159 |
| 4850 | 48 | 50 | | | | | |
| 6061 | 60 | 61 | | | | | |
| 7577 | 75 | 77 | | | | | |
| 8789 | 87 | 89 | | | | | |

FTR



| Size | ØA [mm] | | B [mm] | ØC [mm] | I [mm] |
|-------------|---------|-----|--------|---------|--------|
| | min | max | | | |
| 0610 | 6 | 10 | 71 | 40 | 55 |
| 1215 | 12 | 15 | | | |
| 1620 | 16 | 20 | | | |
| 2225 | 22 | 25 | | | |
| 2630 | 26 | 30 | | | |
| 3235 | 32 | 35 | 121 | 84 | 101 |
| 3842 | 38 | 42 | | | |
| 4850 | 48 | 50 | | | |
| 6061 | 60 | 61 | | | |

MULTIFIX SFT series

Fixing clamps



Technical data

Accessories

Fixing clamps

MULTIFIX fixing clamps are particularly suitable when a series of pipelines must be installed requiring neat and high precision installation. These brackets make it possible to install various pipelines of different types and diameters, rapidly, easily, and, more importantly, economically.

MULTIFIX clamps support, guide, and absorb impact and vibration, protecting the pipes and dispensing with the need for complex and unsightly mounting systems with angle clamps etc.

An orderly layout facilitates maintenance resulting in significant savings in running costs; it also allows intuitive visual design of the plant, which can be assembled easily even without specialised labour.

Materials

- Pair of brackets: Galvanized steel
- Bush: NBR
- Spacer: Steel
- Studs: Steel
- Screws: Steel
- Foot and screw: Steel

Weight

- SFT 38 1 0.050 kg
- SFT 51 1 0.100 kg
- SFT 78 1 0.570 kg

Operating temperature

From -25 °C to + 100 °C



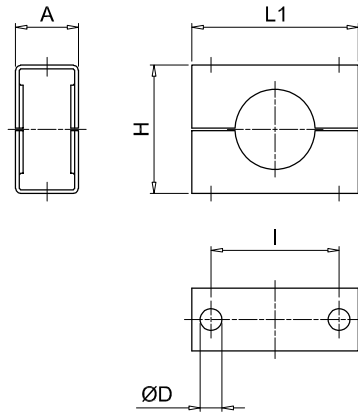
Designation & Ordering code

COMPLETE FIXING CLAMP

| Serie | Configuration example : | | | |
|----------------|-------------------------|----|----|-----|
| SFT | SFT | 51 | 19 | P01 |
| Size | | | | |
| 38 | Height 38 mm - 1 1/2" | | | |
| 51 | Height 51 mm - 2" | | | |
| 78 | Height 78 mm - 3" | | | |
| Number of pipe | 38 | 51 | 78 | |
| 1 | Single pipe | • | • | • |
| 16 | Nr. 16 pipes | - | - | • |
| 19 | Nr. 19 pipes | - | • | - |
| 26 | Nr. 26 pipes | • | - | - |
| Execution | | | | |
| P01 | MP Filtri standard | | | |
| Pxx | Customized | | | |

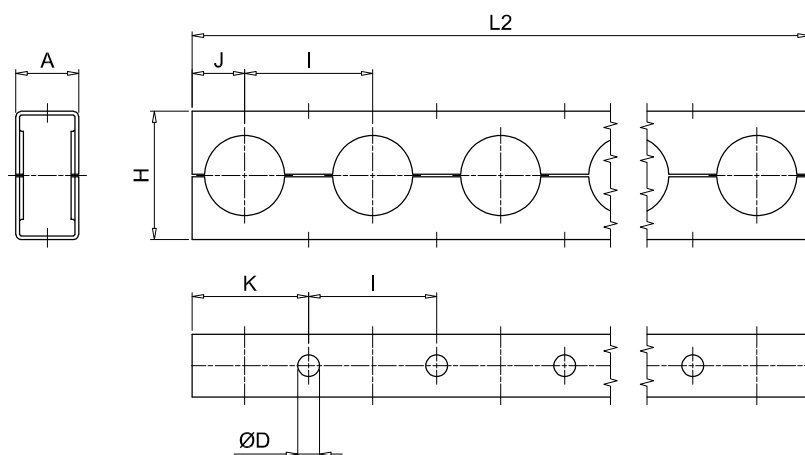
SFT

Single pipe



SFT

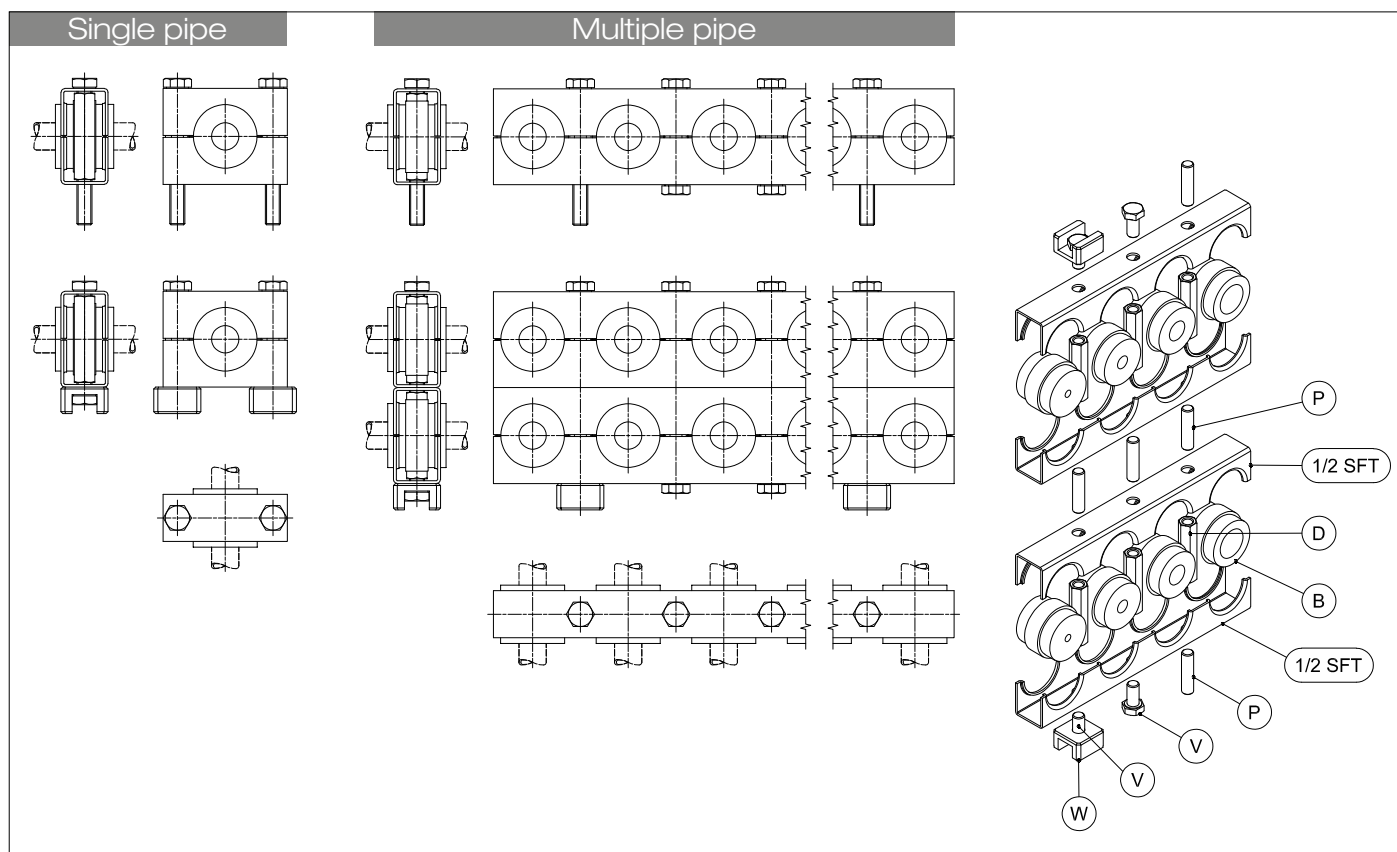
Multiple pipe



| Size | A [mm] | ØD [mm] | H [mm] | I [mm] | J [mm] | K [mm] | L1 [mm] | L2 [mm] |
|-----------|--------|---------|--------|--------|--------|--------|---------|---------|
| 38 | 25 | 8.7 | 38 | 38.1 | 15 | 34 | 56 | 982 |
| 51 | 25 | 8.7 | 51 | 50.8 | 21 | 46 | 66 | 956 |
| 78 | 41 | 11.1 | 78 | 76.2 | 35 | 73 | 95 | 1213 |

SFT MULTIFIX

Assembly



Designation & Ordering code

Dimensions

RUBBER BUSH

Configuration example: **B** | **51** | **1820**

Series

B Rubber bush

Size

38

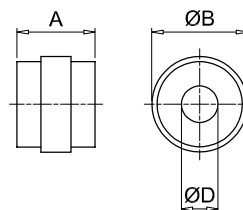
51

78

Pipe diameter

| | 38 | 51 | 78 |
|---------------------------------------|----|----|----|
| 6 Pipe Ø6 mm | • | • | |
| 8 Pipe Ø8 mm | • | • | • |
| 10 Pipe Ø10 mm - 1/8" | • | • | • |
| 1214 Pipe Ø12 ÷ 14 mm - 1/4" | • | • | • |
| 1516 Pipe Ø15 ÷ 16 mm - 3/8" | • | • | • |
| 1820 Pipe Ø18 ÷ 20 mm - 1/2" | • | • | • |
| 22 Pipe Ø22 mm - 5/8" | | • | • |
| 25 Pipe Ø25 mm - 3/4" | | • | • |
| 28 Pipe Ø28 mm | | • | |
| 2830 Pipe Ø28 ÷ 30 mm - 7/8" | | | • |
| 33 Pipe Ø33 mm - 1" | | | • |
| 3538 Pipe Ø35 ÷ 38 mm - 1 1/8" | | | • |
| 42 Pipe Ø42 mm - 1 1/4" | | | • |
| 50 Pipe Ø50 mm | | | • |

B



| Size | A [mm] | ØB [mm] | Pipe diameter | ØD [mm] | Ø nom. pipe [inch] |
|-----------|--------|---------|---------------|---------|--------------------|
| 38 | 31 | 25 | 6 | 6 | - |
| 51 | 31 | 38 | 8 | 8 | - |
| 78 | 45 | 59 | 10 | 10 | 1/8" |
| | | | 1214 | 12÷14 | 1/4" |
| | | | 1516 | 15÷16 | 3/8" |
| | | | 1820 | 18÷20 | 1/2" |
| | | | 22 | 22 | 5/8" |
| | | | 25 | 25 | 3/4" |
| | | | 28 | 28 | - |
| | | | 2830 | 28÷30 | 7/8" |
| | | | 33 | 33 | 1" |
| | | | 3538 | 35÷38 | 1 1/8" |
| | | | 42 | 42 | 1 1/4" |
| | | | 50 | 50 | - |

HEXAGON CONNECTION NUT D

Configuration example: **D** **51** **M**

Series

D Hexagon connection nut

Size

38

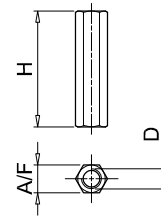
51

78

Screws

M Metric

U UNC



| Size | Screws [mm] | D [mm] | H [mm] | A/F [mm] |
|-----------|-------------|-----------|--------|----------|
| 38 | M | M8 | 33 | 11 |
| | U | 5/16" UNC | | |
| 51 | M | M8 | 46 | 11 |
| | U | 5/16" UNC | | |
| 78 | M | M10 | 72 | 13 |
| | U | 3/8" UNC | | |

STUD BOLT P

Configuration example: **P** **3851** **M**

Series

P Stud bolt

Size

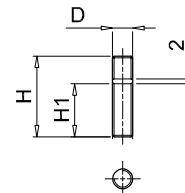
38 - 51

78

Screws

M Metric

U UNC



| Size | Screws [mm] | D [mm] | H [mm] | H1 [mm] |
|----------------|-------------|-----------|--------|---------|
| 38 - 51 | M | M8 | 32 | 21 |
| | U | 5/16" UNC | | |
| 78 | M | M10 | 38 | 22 |
| | U | 3/8" UNC | | |

HEXAGON HEAD SCREW V

Configuration example: **V** **3851** **M**

Series

V Hexagon head screw

Size

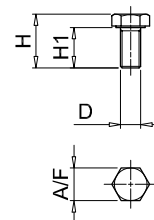
38 - 51

78

Screws

M Metric

U UNC



| Size | Screws [mm] | D [mm] | H [mm] | H1 [mm] | A/F [mm] |
|----------------|-------------|-----------|--------|---------|----------|
| 38 - 51 | M | M8 | 21 | 16 | 13 |
| | U | 5/16" UNC | | | |
| 78 | M | M10 | 36 | 30 | 17 |
| | U | 3/8" UNC | | | |

WELDING FOOT W

Configuration example: **W** **3851**

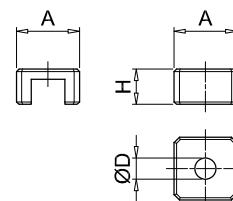
Series

W Welding foot

Size

38 - 51

78



| Size | H [mm] | ØD [mm] | H [mm] |
|----------------|--------|---------|--------|
| 38 - 51 | 25 | 8.5 | 14 |
| 78 | 32 | 11 | 16 |

По вопросам продаж и поддержки обращайтесь:

Алматы (727)345-47-04
Ангарск (3955)60-70-56
Архангельск (8182)63-90-72
Астрахань (8512)99-46-04
Барнаул (3852)73-04-60
Белгород (4722)40-23-64
Благовещенск (4162)22-76-07
Брянск (4832)59-03-52
Владивосток (423)249-28-31
Владикавказ (8672)28-90-48
Владимир (4922)49-43-18
Волгоград (844)278-03-48
Вологда (8172)26-41-59
Воронеж (473)204-51-73
Екатеринбург (343)384-55-89

Иваново (4932)77-34-06
Ижевск (3412)26-03-58
Иркутск (395)279-98-46
Казань (843)206-01-48
Калининград (4012)72-03-81
Калуга (4842)92-23-67
Кемерово (3842)65-04-62
Киров (8332)68-02-04
Коломна (4966)23-41-49
Кострома (4942)77-07-48
Краснодар (861)203-40-90
Красноярск (391)204-63-61
Курск (4712)77-13-04
Курган (3522)50-90-47
Липецк (4742)52-20-81

Магнитогорск (3519)55-03-13
Москва (495)268-04-70
Мурманск (8152)59-64-93
Набережные Челны (8552)20-53-41
Новокузнецк (3843)20-46-81
Ноябрьск (3496)41-32-12
Новосибирск (383)227-86-73
Омск (3812)21-46-40
Орел (4862)44-53-42
Оренбург (3532)37-68-04
Пенза (8412)22-31-16
Петрозаводск (8142)55-98-37
Псков (8112)59-10-37
Пермь (342)205-81-47

Ростов-на-Дону (863)308-18-15
Рязань (4912)46-61-64
Самара (846)206-03-16
Санкт-Петербург (812)309-46-40
Саратов (845)249-38-78
Севастополь (8692)22-31-93
Саранск (8342)22-96-24
Симферополь (3652)67-13-56
Смоленск (4812)29-41-54
Сочи (862)225-72-31
Ставрополь (8652)20-65-13
Сургут (3462)77-98-35
Сыктывкар (8212)25-95-17
Тамбов (4752)50-40-97
Тверь (4822)63-31-35

Тольятти (8482)63-91-07
Томск (3822)98-41-53
Тула (4872)33-79-87
Тюмень (3452)66-21-18
Ульяновск (8422)24-23-59
Улан-Удэ (3012)59-97-51
Уфа (347)229-48-12
Хабаровск (4212)92-98-04
Чебоксары (8352)28-53-07
Челябинск (351)202-03-61
Череповец (8202)49-02-64
Чита (3022)38-34-83
Якутск (4112)23-90-97
Ярославль (4852)69-52-93

Россия +7(495)268-04-70

Казахстан +(727)345-47-04

Беларусь +(375)257-127-884

Узбекистан +998(71)205-18-59

Киргизия +996(312)96-26-47

эл.почта: mqt@nt-rt.ru || сайт: <https://mpfiltri.nt-rt.ru/>