

Воздухозаборники и заливные пробки

Технические характеристики

По вопросам продаж и поддержки обращайтесь:

Алматы (727)345-47-04
Ангарск (3955)60-70-56
Архангельск (8182)63-90-72
Астрахань (8512)99-46-04
Барнаул (3852)73-04-60
Белгород (4722)40-23-64
Благовещенск (4162)22-76-07
Брянск (4832)59-03-52
Владивосток (423)249-28-31
Владикавказ (8672)28-90-48
Владимир (4922)49-43-18
Волгоград (844)278-03-48
Вологда (8172)26-41-59
Воронеж (473)204-51-73
Екатеринбург (343)384-55-89

Иваново (4932)77-34-06
Ижевск (3412)26-03-58
Иркутск (395)279-98-46
Казань (843)206-01-48
Калининград (4012)72-03-81
Калуга (4842)92-23-67
Кемерово (3842)65-04-62
Киров (8332)68-02-04
Коломна (4966)23-41-49
Кострома (4942)77-07-48
Краснодар (861)203-40-90
Красноярск (391)204-63-61
Курск (4712)77-13-04
Курган (3522)50-90-47
Липецк (4742)52-20-81

Магнитогорск (3519)55-03-13
Москва (495)268-04-70
Мурманск (8152)59-64-93
Набережные Челны (8552)20-53-41
Нижний Новгород (831)429-08-12
Новокузнецк (3843)20-46-81
Ноябрьск (3496)41-32-12
Новосибирск (383)227-86-73
Омск (3812)21-46-40
Орел (4862)44-53-42
Оренбург (3532)37-68-04
Пенза (8412)22-31-16
Петрозаводск (8142)55-98-37
Псков (8112)59-10-37
Пермь (342)205-81-47

Ростов-на-Дону (863)308-18-15
Рязань (4912)46-61-64
Самара (846)206-03-16
Санкт-Петербург (812)309-46-40
Саратов (845)249-38-78
Севастополь (8692)22-31-93
Саранск (8342)22-96-24
Симферополь (3652)67-13-56
Смоленск (4812)29-41-54
Сочи (862)225-72-31
Ставрополь (8652)20-65-13
Сургут (3462)77-98-35
Сыктывкар (8212)25-95-17
Тамбов (4752)50-40-97
Тверь (4822)63-31-35

Тольятти (8482)63-91-07
Томск (3822)98-41-53
Тула (4872)33-79-87
Тюмень (3452)66-21-18
Ульяновск (8422)24-23-59
Улан-Удэ (3012)59-97-51
Уфа (347)229-48-12
Хабаровск (4212)92-98-04
Чебоксары (8352)28-53-07
Челябинск (351)202-03-61
Череповец (8202)49-02-64
Чита (3022)38-34-83
Якутск (4112)23-90-97
Ярославль (4852)69-52-93

Россия +7(495)268-04-70

Казахстан +(727)345-47-04

Беларусь +(375)257-127-884

Узбекистан +998(71)205-18-59

Киргизия +996(312)96-26-47

эл.почта: mqt@nt-rt.ru || сайт: <https://mpfiltri.nt-rt.ru/>

TC 50 GENERAL INFORMATION



Technical data

Filler and Drain Plugs

Polyamide filler plug

TC50 is a range of plastic compact air breathers and filler plugs for protection of the tank against the solid contamination contained into the air and filling of the fluid into the systems during the commissioning and maintenance procedures.

They are directly fitted on the tank.

Available features:

- G 1" male threaded connection, with or without nut
- Metal filtration, to hold the coarse contamination contained into the air
- Filling basket, to hold the coarse contamination contained into the fluid and to diffuse the fluid flow into the tank
- Caps with different graphics and colours, for the use in several applications

Common applications:

- Hydraulic systems
- Mobile machines
- Industrial equipment

Materials

- Cover: Polyamide
- Filter element: Galvanized steel
- Filler cap: Polyamide
- Strainer: Galvanized steel / Polyamide
AISI 304 / Polyamide
- Collar: Polyamide
- Seals: Inorganic fibre
- Ringnut: Phosphatized steel

Temperature

From -25 °C to +100 °C

Weight

TC 50 G1" conn. 0.70 kg
TC 50 with ringnut 0.10 kg

Quantity

25 pcs/pack



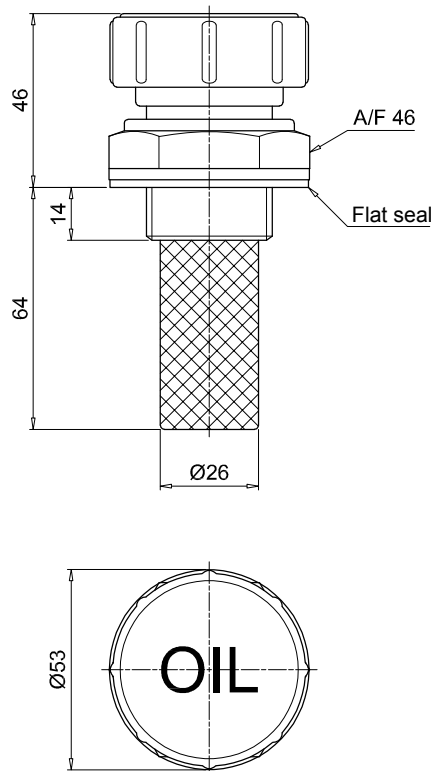
Designation & Ordering code

COMPLETE FILLER PLUG

Series	Configuration example :									
TC50	TC50	G1	L90	P	R	O	C70	P01		
Connections										
G1	G 1"									
GA	With ringnut									
Filtration rating										
L90	Galvanized steel									
Seals										
P	Inorganic fiber									
Cover colour										
R	Red									
Y	Yellow									
Cover wording										
O	Oil									
N	Neutral									
Basket										
S	Without basket									
C70	With basket 70 mm - galvanized steel									
I70	With basket 70 mm - AISI 304									
Execution										
P01 MP Filtri standard										
Pxx Customized										

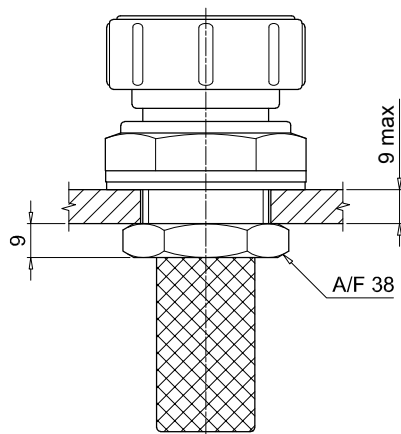
TC50

Threaded connection

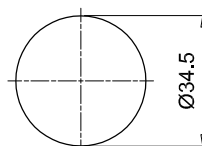


TC50

With ringnut



Through hole on the tank



TKT - TSD - TKM series

Filler and draining plugs



TKT GENERAL INFORMATION

Technical data

Filler and draining plugs

Polyamide filler plug

TKT is a range of polyamide compact filler plugs for filling of the fluid into the systems during the commissioning and maintenance procedures. They are directly fitted on the tank.

Available features:

- Male threaded connections up to G 2"
- Breathing hole, to reduce the pressure inside the filter during the maintenance operations
- Caps with different graphics and colours, for the use in several applications
- Dipstick, to monitor the fluid level into the tank even in complicated positions
- Antisplash, to avoid fluid coming out through the air breather due to sloshing
- Labyrinth filter, to avoid fluid coming out through the air breather due to sloshing

Common applications:

- Hydraulic systems
- Mobile machines
- Industrial equipment

Materials

- Body: Polyamide
- Seals: NBR, Inorganic fibre
- Labyrinth: Polyamide
- Anti-splash feature: Resin impregnated paper
- Dipstick: Phosphatized steel

Temperature

From -25 °C to +100 °C

Weight

TKTG 13	5 g
TKTG 16	8 g
TKTG 20	10 g
TKTG 26	15 g
TKTG 33	30 g
TKTG 42	32 g
TKTG 60	35 g

Quantity

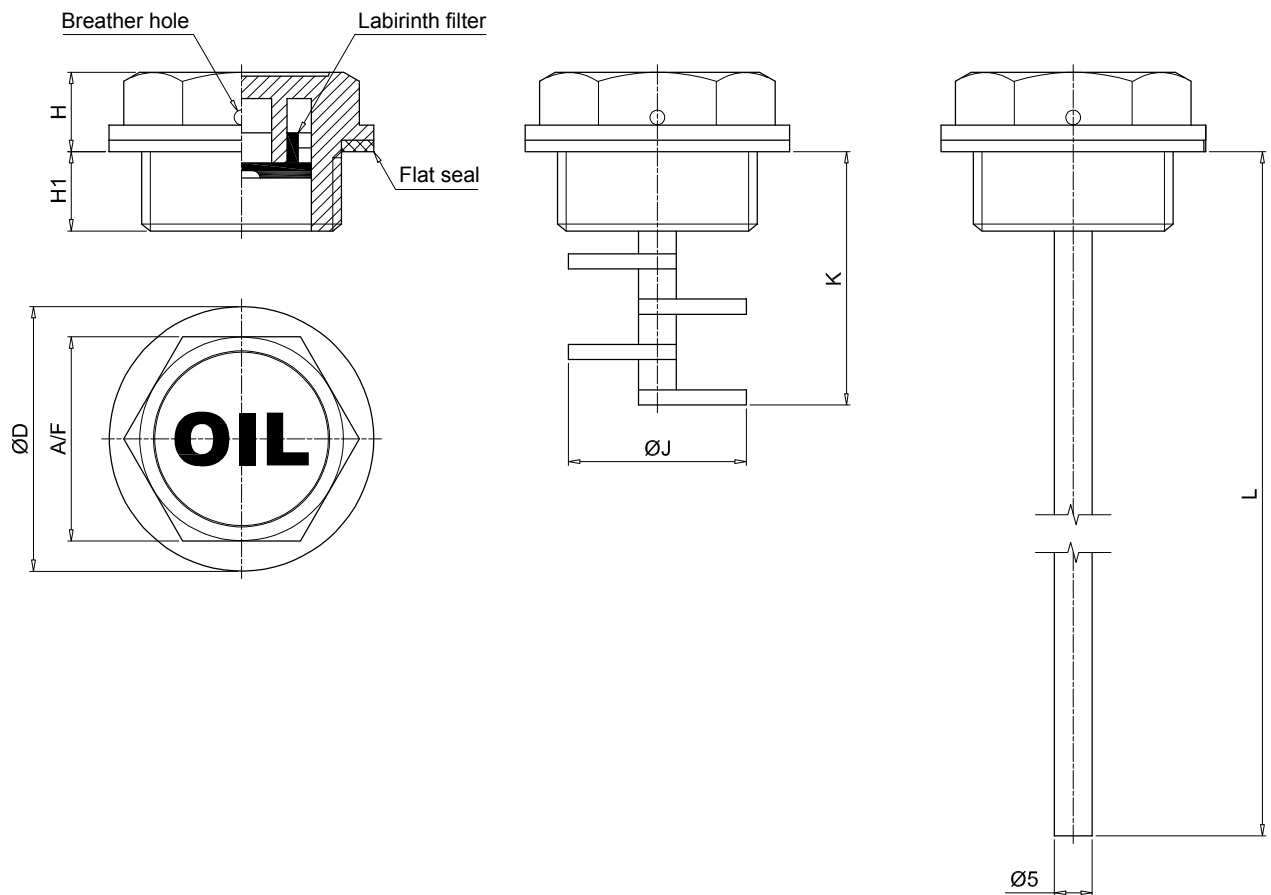
25 pcs/pack



Designation & Ordering code

COMPLETE FILLER PLUG

Series	Configuration example : TKT G26 N N A F S P01									
TKT										
Connections	Version									
	S	A	F	L						
G13 G 1/4"	•	•	-	•						
G16 G 3/8"	•	•	•	•						
G20 G 1/2"	•	•	•	•						
G26 G 3/4"	•	•	•	•						
G33 G 1"	•	•	•	-						
G42 G 1 1/4"	•	•	•	-						
G48 G 1 1/2"	•	•	•	-						
G60 G 2"	•	•	-	-						
Colour										
N Black polyamide										
Cover wording										
O Oil	N Neutral									
Seals	Version									
	S	A	F	L						
A NBR	-	•	•	-						
B Inorganic fiber	•	-	-	•						
Breather hole										
S Without breather hole	F With breather hole									
Version										
S Standard	F With anti-splash feature									
A With dipstick	L With labyrinth filter									
Execution										
P01 MP Filtri standard										
Pxx Customized										



Connections	ØD [mm]	A/F [mm]	H [mm]	H1 [mm]	ØJ [mm]	K [mm]	L [mm]
G13	20	17	8.5	7.5	-	-	205
G16	22	18	9.5	8.5	13.5	32	206
G20	28	22	9.5	9.5	17.5	33	207
G26	35	27	10.5	10.5	23.5	34	208
G33	42	34	10.5	10.5	29.5	36	201
G42	52	42	11	11	38	38	201
G48	58	47	11	11	38	36	201
G60	74	64	18	18	-	-	198

TSD GENERAL INFORMATION

Technical data

Filler / draining plugs

Polyamide filler plug

TSD is a range of polyamide compact air breathers and filler plugs for protection of the tank against the solid contamination contained into the air and filling of the fluid into the systems during the commissioning and maintenance procedures.

They are directly fitted on the tank.

Available features:

- Male threaded connections up to G 1 1/2"
- Metal filtration, to hold the coarse contamination contained into the air
- Caps with different graphics and colours, for the use in several applications
- Dipstick, to monitor the fluid level into the tank even in complicated positions
- Antisplash, to avoid fluid coming out through the air breather due to sloshing

Common applications:

- Hydraulic systems
- Mobile machines
- Industrial equipment

Materials

- Body: Polyamide
- Cover: Polyamide
- Seal: NBR
- Filter: Galvanized steel
- Anti-splash feature: Polyamide
- Dipstick: Phosphatized steel

Temperature

From -25 °C to +100 °C

Weight

TSDG16	15 g
TSDG20	25 g
TSDG26	28 g
TSDG33	60 g
TSDG42	69 g
TSDG48	74 g

Quantity

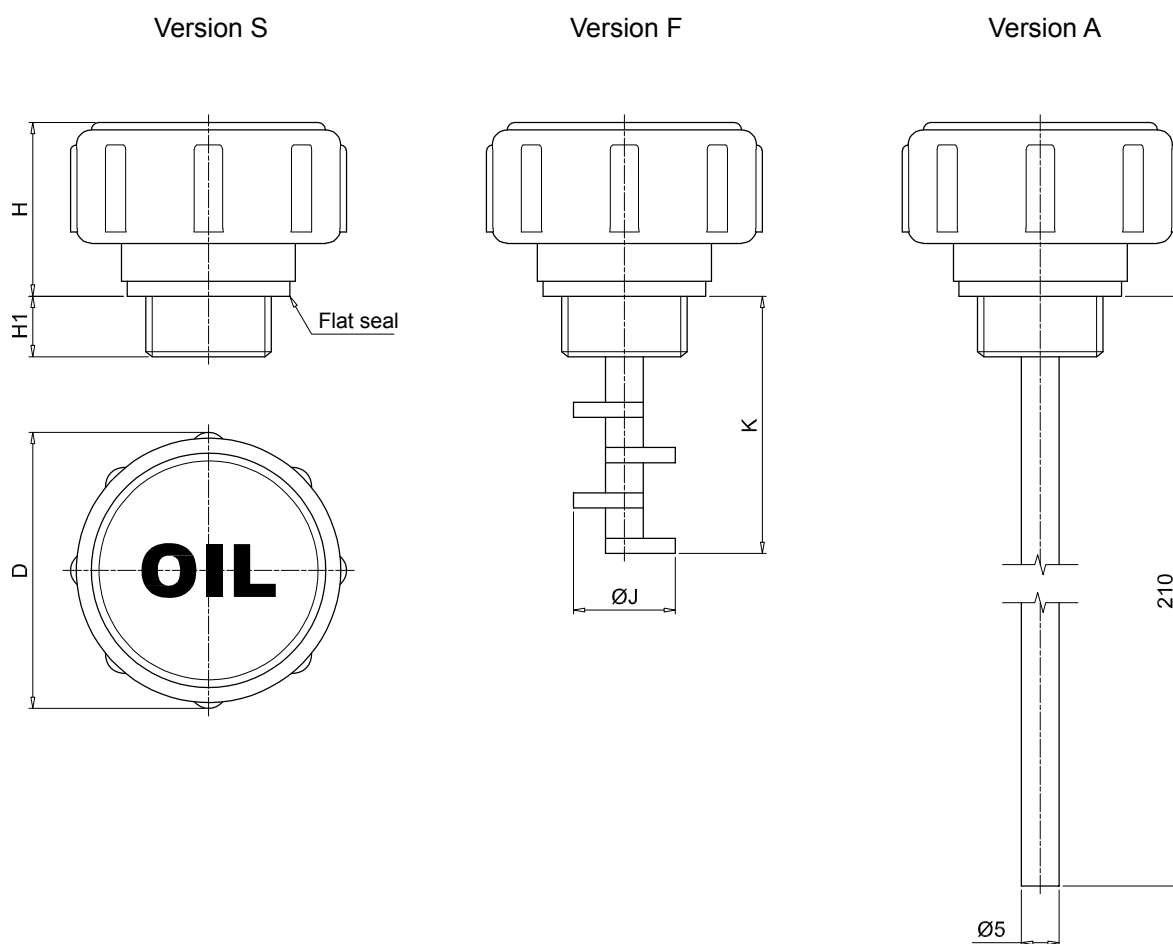
25 pcs/pack



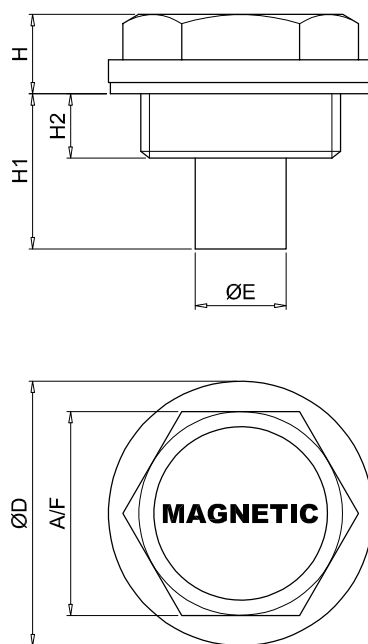
Designation & Ordering code

COMPLETE FILLER PLUG

Series	Configuration example :							TSD	G26	R	G	A	F	S	PO1
TSD															
Connections															
G16	G 3/8"	G33	G 1"												
G20	G 1/2"	G42	G 1 1/4"												
G26	G 3/4"	G48	G 1 1/2"												
Cover colour															
R	Red	Y	Yellow												
Cover wording															
O	Oil														
N	Neutral														
G	Gasoil														
Seals															
A	NBR														
Filter element	Cover wording														
O	Without filter element	•	•	•											
A	Steel filter element	•	•	-											
Version															
S	Standard														
A	With dipstick														
F	With anti-splash feature														
Execution															
P01 MP Filtri standard															
Pxx Customized															



Connections	ØD [mm]	H [mm]	H1 [mm]	ØJ [mm]	K [mm]
G16	36.5	23	8	13.5	34
G20	40.5	23	9	17.5	34
G26	46.5	23	10	23.5	35
G33	52.5	24	11	29.5	42
G42	67.5	31.5	12	38	45
G48	67.5	31.5	11	38	45



Connections	$\varnothing D$ [mm]	A/F [mm]	$\varnothing E$ [mm]	H [mm]	H_1 [mm]	H_2 [mm]
G13	19	15	9.5	6	11.5	5.5
G16	22	18	8	9.5	13.5	7.5
G20	28	22	10	9.5	15.5	7.5
G26	35	27	12	10.5	20.5	8.5
G33	42	34	25	13	30.5	10.5

По вопросам продаж и поддержки обращайтесь:

Алматы (727)345-47-04
Ангарск (3955)60-70-56
Архангельск (8182)63-90-72
Астрахань (8512)99-46-04
Барнаул (3852)73-04-60
Белгород (4722)40-23-64
Благовещенск (4162)22-76-07
Брянск (4832)59-03-52
Владивосток (423)249-28-31
Владикавказ (8672)28-90-48
Владимир (4922)49-43-18
Волгоград (844)278-03-48
Вологда (8172)26-41-59
Воронеж (473)204-51-73
Екатеринбург (343)384-55-89

Иваново (4932)77-34-06
Ижевск (3412)26-03-58
Иркутск (395)279-98-46
Казань (843)206-01-48
Калининград (4012)72-03-81
Калуга (4842)92-23-67
Кемерово (3842)65-04-62
Киров (8332)68-02-04
Коломна (4966)23-41-49
Кострома (4942)77-07-48
Краснодар (861)203-40-90
Красноярск (391)204-63-61
Курск (4712)77-13-04
Курган (3522)50-90-47
Липецк (4742)52-20-81

Магнитогорск (3519)55-03-13
Москва (495)268-04-70
Мурманск (8152)59-64-93
Набережные Челны (8552)20-53-41
Новокузнецк (3843)20-46-81
Ноябрьск (3496)41-32-12
Новосибирск (383)227-86-73
Омск (3812)21-46-40
Орел (4862)44-53-42
Оренбург (3532)37-68-04
Пенза (8412)22-31-16
Петрозаводск (8142)55-98-37
Псков (8112)59-10-37
Пермь (342)205-81-47

Ростов-на-Дону (863)308-18-15
Рязань (4912)46-61-64
Самара (846)206-03-16
Санкт-Петербург (812)309-46-40
Саратов (845)249-38-78
Севастополь (8692)22-31-93
Саранск (8342)22-96-24
Симферополь (3652)67-13-56
Смоленск (4812)29-41-54
Сочи (862)225-72-31
Ставрополь (8652)20-65-13
Сургут (3462)77-98-35
Сыктывкар (8212)25-95-17
Тамбов (4752)50-40-97
Тверь (4822)63-31-35

Тольятти (8482)63-91-07
Томск (3822)98-41-53
Тула (4872)33-79-87
Тюмень (3452)66-21-18
Ульяновск (8422)24-23-59
Улан-Удэ (3012)59-97-51
Уфа (347)229-48-12
Хабаровск (4212)92-98-04
Чебоксары (8352)28-53-07
Челябинск (351)202-03-61
Череповец (8202)49-02-64
Чита (3022)38-34-83
Якутск (4112)23-90-97
Ярославль (4852)69-52-93

Россия +7(495)268-04-70

Казахстан +(727)345-47-04

Беларусь +(375)257-127-884

Узбекистан +998(71)205-18-59

Киргизия +996(312)96-26-47

эл.почта: mqt@nt-rt.ru || сайт: <https://mpfiltri.nt-rt.ru/>